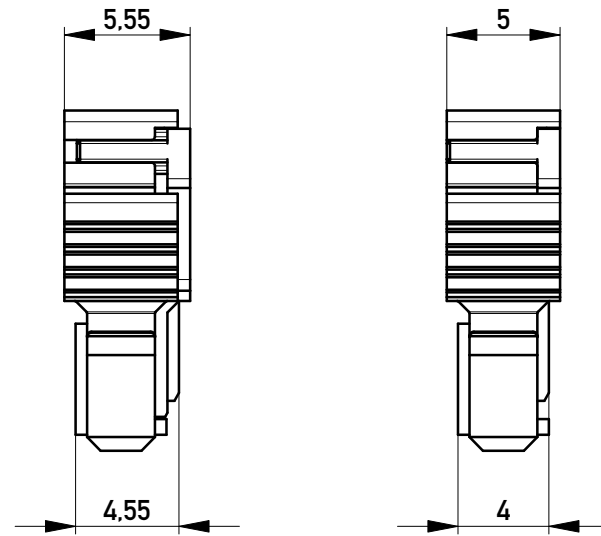
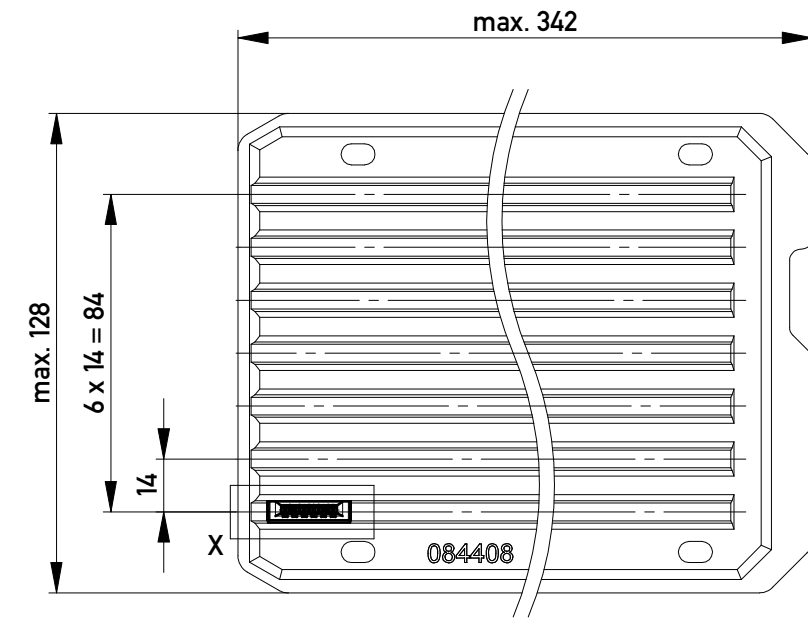


Abdeckung vorverrastet
cover loose mounted

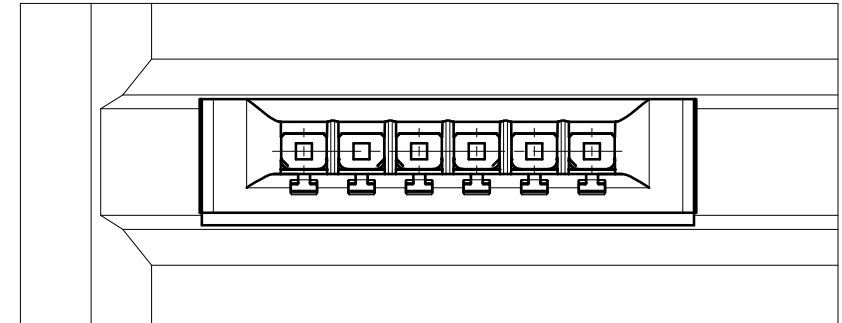
Abdeckung verpresst
cover pressed on



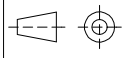

Verpackt in Tray - tray packaging
Verpackungseinheit 98 Stück - packaging unit 98



Einzelheit X
detail X



Copyright by ERNI GmbH
Proprietary notice pursuant to ISO 16016 to be observed.

Information: Codierung schwarz - coding black		Tolerances		Scale	3:1
All rights reserved. Only for Information. To ensure that this is the latest version of this drawing, please contact one of the ERNI companies before using.		All Dimensions in mm		Designation F 2.54 SRC-A, 6-polig BA 2	
Subject to modification without prior notice. Drawing will not be updated.		 www.ERNI.com		104702070001	
c	14.05.2014			K	
Index	Date			A3	
				Class	SRCBUG