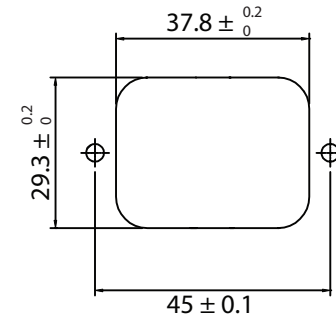
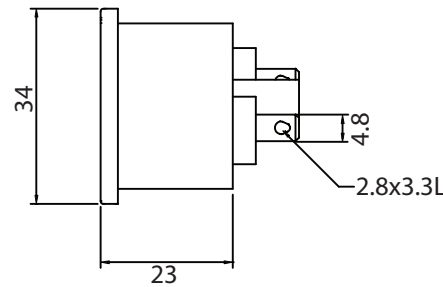
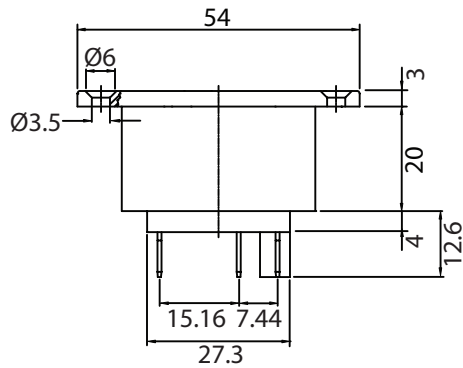
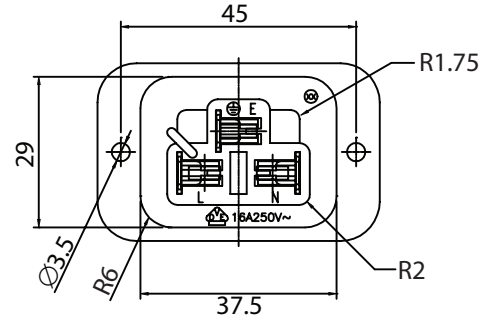
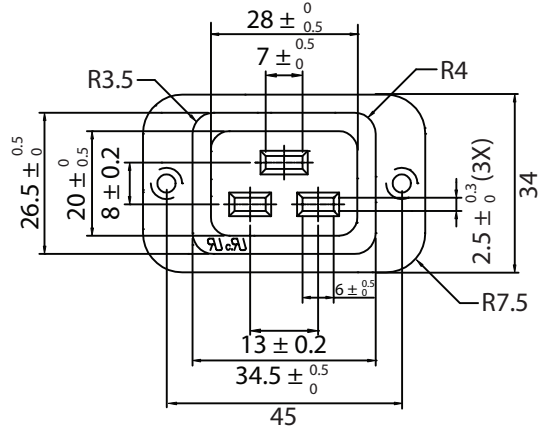


THESE DRAWINGS ARE THE PROPERTY OF QUALTEK ELECTRONICS AND NOT TO BE REPRODUCED FOR OR COMMUNICATED TO A THIRD PARTY WITHOUT THE EXPRESS WRITTEN PERMISSION OF AN OFFICER OF QUALTEK ELECTRONICS.

| REVISION | | | |
|----------|-----------------|----------|----------|
| REV. | DESCRIPTION | DATE | APPROVED |
| B | RoHS Compliancy | 06-01-06 | DP |
| | | | |
| | | | |



PANEL CUTOUT

NOTES:

STANDARD: IEC 60320-1
 RATING:
 UL,cUL: 20A/250V AC
 VDE: 16A/250V AC
 APPROVALS: UL,cUL,VDE
 IEC 60320 C19
 RoHS COMPLIANT

CONTROLLED

| Dim range (mm) | Tolerance +/- (mm) | Qualtek Electronics Corp. PPC DIVISION | | |
|----------------|--------------------|---|-----------------|-----------------|
| | | Part Number: 743W-00/02 | RoHS Compliant | |
| 0-1 | 0.15 | Description: AC RECEPTACLE | | |
| 1-6 | 0.20 | | | |
| 6-18 | 0.30 | UNIT: mm | REV. B | |
| 18-50 | 0.50 | | Approved / Date | |
| 50-120 | 0.70 | Drawn / Date | Checked / Date | Approved / Date |
| 120-250 | 0.90 | B.Zhang 10-28-03 | 10-28-03 | JJH / 10-28-03 |
| 250-500 | 1.20 | | | |