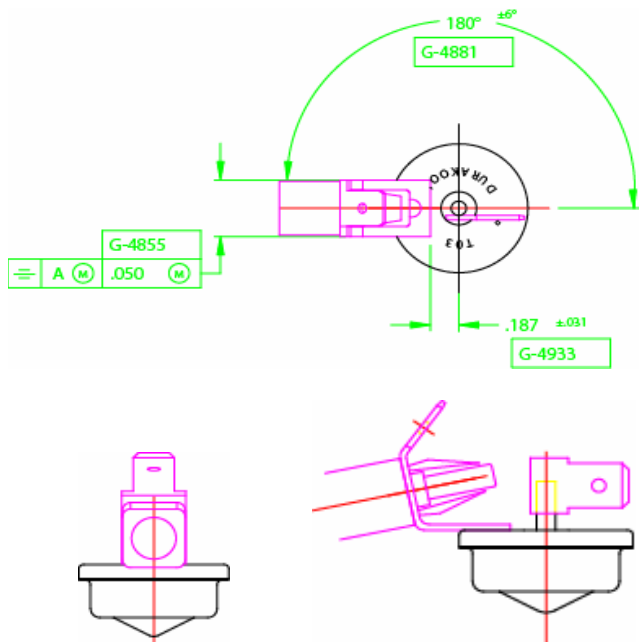


# Part No: T03-1005 T03 Series Tip Over Switch – Mercury



- Features:**
- \* Un-Insulated
  - \* Form: NC Vertical Mount as shown
  - \* Angles Referenced from vertical
  - \* Single Electrode
  - \* Hermetically Sealed
  - \* High Current Capacity
  - \* Small Package Size
  - \* Low Contact Resistance
  - \* Long Life



Drawing dimensions in inches.

Shown in normally closed position.  
Tip over switches "break" when the electrode is tilted from the vertical and "make" when returned to the vertical.

Must Break Angle * :	10° to 45° in any direction
Maximum included Angle:	NA
	* from vertical 0° reference
<b>Switch Ratings:</b>	
Max Switching Voltage:	240VAC
Max Switching Current:	12.5A/120V 60Hz resistive, 1/16 HP 120VAC, 1500W Tungsten
Initial Contact Resistance (Max):	Meets UL Heat Rise Specification
Stand Off Voltage (contact to contact):	1240VAC
Operating Temperature:	-37° to 220° F / -38° to 105° C
Storage Temperature:	-40° to 356° F / -40° to 180° C
Typical number of operations at specified load:	10,000,000
G-Force Activation G-Level/Range:	N/A
<b>Dimensions:</b>	
Weight per 100pcs. Lbs / Kgs:	3.20 / 1.45
Body Length (less leads). Inches / Millimeters:	0.87 / 22.1
Maximum Diameter. Inches / Millimeters:	0.94 / 24.0
<b>Materials:</b>	
Termination Type:	¼" Male Quick Connects and nylon grommet for screw mount per drawing above
Lead wire length/skive/termination:	NA
Finish:	Nickel



© American Electronic Components Inc 2006

**American Electronic Components Inc.,**  
1101 Lafayette Street, Elkhart, Indiana. USA  
Tel: +1-574-295-6330 Fax: +1-574-293-8013  
Email: [sales@aecensors.com](mailto:sales@aecensors.com)  
<http://www.aecensors.com>