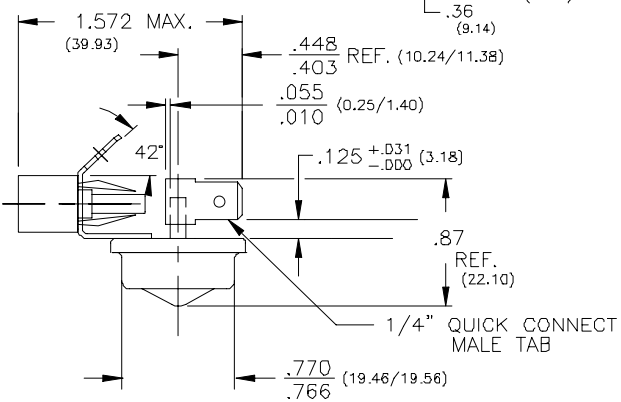
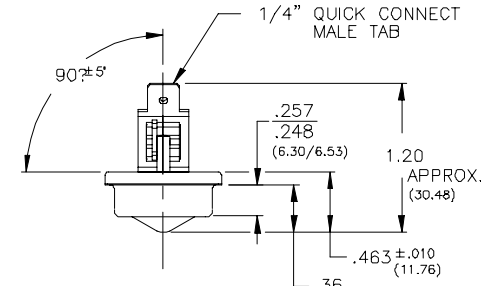
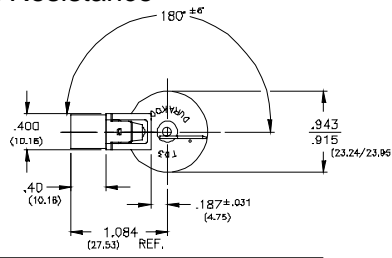
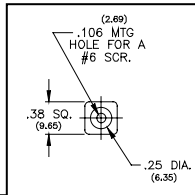


Part No: T03-1010 T03 Series Tip Over Switch – Mercury



- Features:**
- * Meets UL Heat Rise Specification
 - * Un-Insulated
 - * Omni-directional
 - * Form: NC/SPST/Mounted as shown
 - * Dual Male Fastons w/ Mounting Boss
 - * Hermetically Sealed
 - * Small Package Size
 - * High Current Capability
 - * Low Contact Resistance
 - * Long Life



Drawing dimensions in inches and (millimeters).

Shown in normally closed position.
Tip over switches "break" when the electrode is tilted from the vertical and "make" when returned to the vertical.

Must Make / Break Angle * :	25° to 40° in any direction
Maximum included Angle:	When switch is inverted there shall be no continuity
	* from vertical 0° reference
Switch Ratings:	
Max Switching Voltage:	120V
Max Switching Current:	12.5A, 1500W/120V resistive, 1500W Tungsten, 1/6hp 120V
Initial Contact Resistance (Max):	25 milli Ohms
Stand Off Voltage (contact to contact):	1240 VAC
Operating Temperature:	-38° to 220° F / -38° to 105° C
Storage Temperature:	-40° to 356° F / -40° to 180° C
Typical number of operations at specified load:	3,000,000
G-Force Activation G-Level/Range:	N/A
Dimensions:	
Weight per 100pcs. Lbs / Kgs:	3.20 / 1.45
Body Length (less leads). Inches / Millimeters:	0.463 / 11.76
Maximum Diameter. Inches / Millimeters:	0.943 / 23.95
Materials:	
Termination Type:	¼" Male Quick Connect
Lead wire length/skive/termination:	N/A
Finish:	Nickel



American Electronic Components Inc.,
1101 Lafayette Street, Elkhart, Indiana. USA
Tel: +1-574-295-6330 Fax: +1-574-293-8013
Email: sales@aecensors.com
<http://www.aecensors.com>

© American Electronic Components Inc 2006