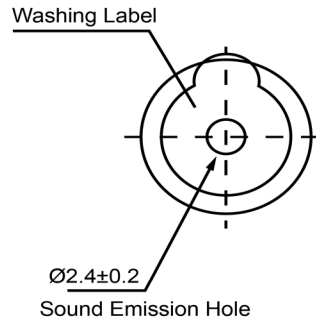
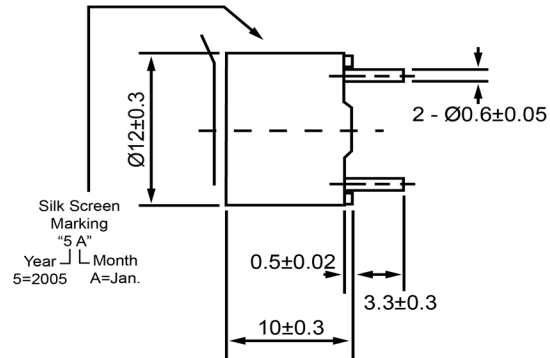


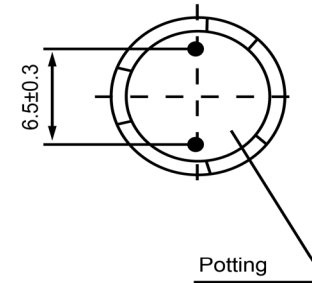
TOP VIEW





SIDE VIEW



BOTTOM VIEW



Specifications			Notes	Revision History					
Description	Value	Unit		Version	Description	Date	Approved		
Technology	Electro-Mechanical		1) All dimensions are in mm unless otherwise noted 2) All parts meet RoHS 	1	Released from Engineering	10/21/2013	J.S		
Resonant Frequency	2,400	(Hz)							
Rated Voltage	5	(V)							
SPL @ 10cm	85	(dBA)							
Coil Resistance	40	(ohm)							
Mount Type	Thru Hole								
Voltage Range	3 ~ 8	(V)							
Max Rated Current	50	(mA)							
Housing Material	NORYL								
Operating Temperature	-40 ~ +85	°C							
Storage Temperature	-40 ~ +85	°C							
Weight	2	(g)							
				Drawn by: A.B.    Date: 10/21/2013    Checked by: C.E.    Date: 10/21/2013    Approved by: J.S    Date: 10/21/2013					
				Electro-Mechanical Transducer		TE122405-2			