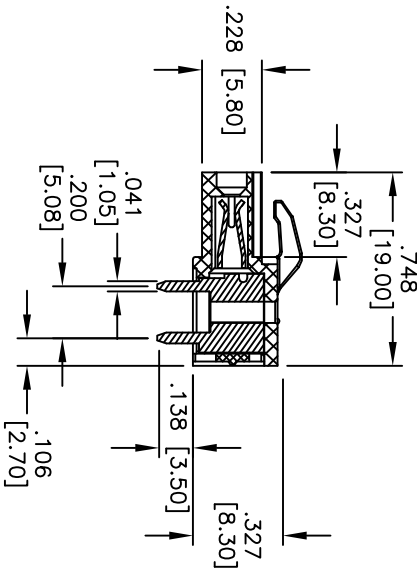
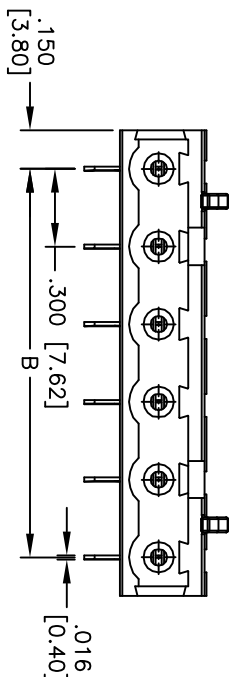
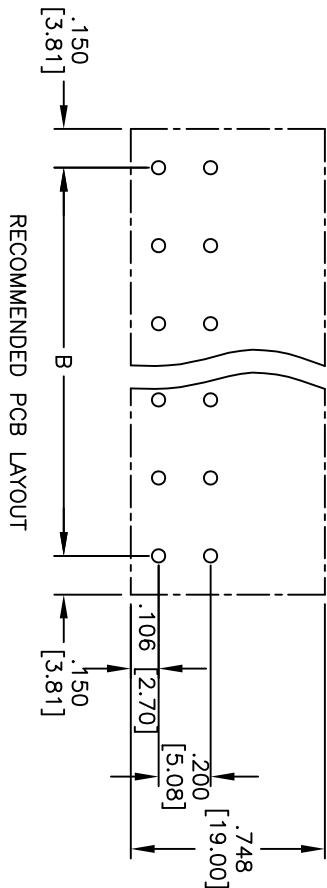
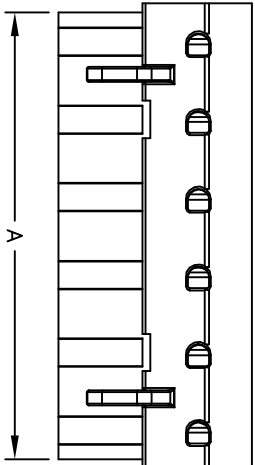


Rev	AWO #	Description	Date	Appr
-		RELEASED	2/04/10	

APPROVED: \_\_\_\_\_  
 DATE: \_\_\_\_\_ TITLE: \_\_\_\_\_



Positions: 2 thru 16  
 A = .300 [7.62] x No. of (Poles-1) + .221 [5.62]  
 B = .300 [7.62] x No. of (Poles-1)

**SPECIFICATIONS:**

**Material:**  
 Insulator: Thermoplastic, rated UL 94V-0  
 Insulator color: Green  
 Wire guard: Phosphor Bronze, Tin plated  
**Electrical:**  
 Operation voltage: 300 VAC max  
 Current rating: 10 Amps  
 Withstanding Voltage: 1.6KV  
**Environmental:**  
 Operating temperature: -30°C to +105°C  
 Lead free, ROHS compliant.  
 Recommended soldering temp: 235°C for 5 sec.



UNLESS OTHERWISE SPECIFIED ALL DIMENSIONS ARE MM [INCHES] TOLERANCES: EXCEPT AS NOTED	
.X ± .10	ØX ± .10
.XX ± .020	ØXX ± .015
.XXX ± .015	ØXXX ± .010
APPROVALS	DATE
DRAWN	DY
CHECKED	
APPROVED	

**ADAM TECH**  
 909 Rahway Avenue, Union, NJ 07083  
 Phone: 908-687-5000 Fax: 908-687-5710

TITLE: **TERMINAL BLOCK, PCB, 300 [7.62] PITCH**

SIZE	PART NO.	REV.
X	EB50-XX-D	-
REF:	S00007T	SHEET 1 OF 1
SCALE:	NIS	