



IP 67

RoHS

REACH

**PFC-2828-2**  
Stainless Steel Float

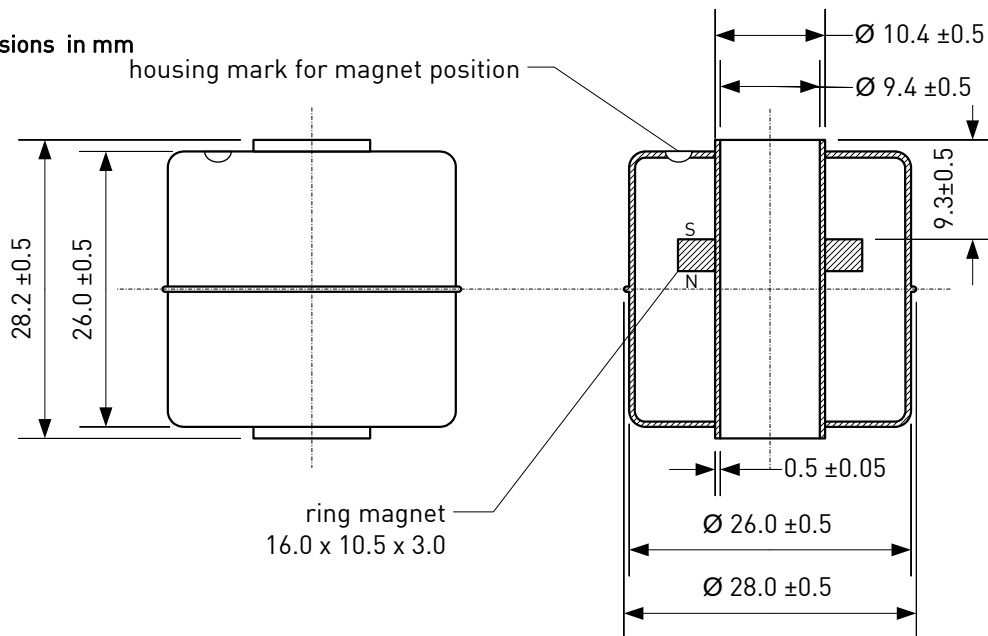
**Data**

Float housing	Stainless Steel S316L, mechanically polished
Magnet	Ferrite
Magnetical Orientation	axially

Remanence Br	mT	225
Coercivity HcB	kA/m	151
Coercitivity HcJ	kA/m	271
Energy density BHmax.	mT	0.105
Operating Temperature	°C	-10 to 180

Nominal values unless otherwise specified.

**Dimensions in mm**



**Mechanical Characteristics**

@ 25°C

Density of float typ. *	g/cm <sup>3</sup>	0.7
Recommended minimum gravity of medium	g/cm <sup>3</sup>	Density of float + 20%
Pressure max.	MPa	1.0

\* In delivery condition

**Ordering Information**

Packing Unit	500 pcs
Weight per piece	8.0 g ± 0.5g