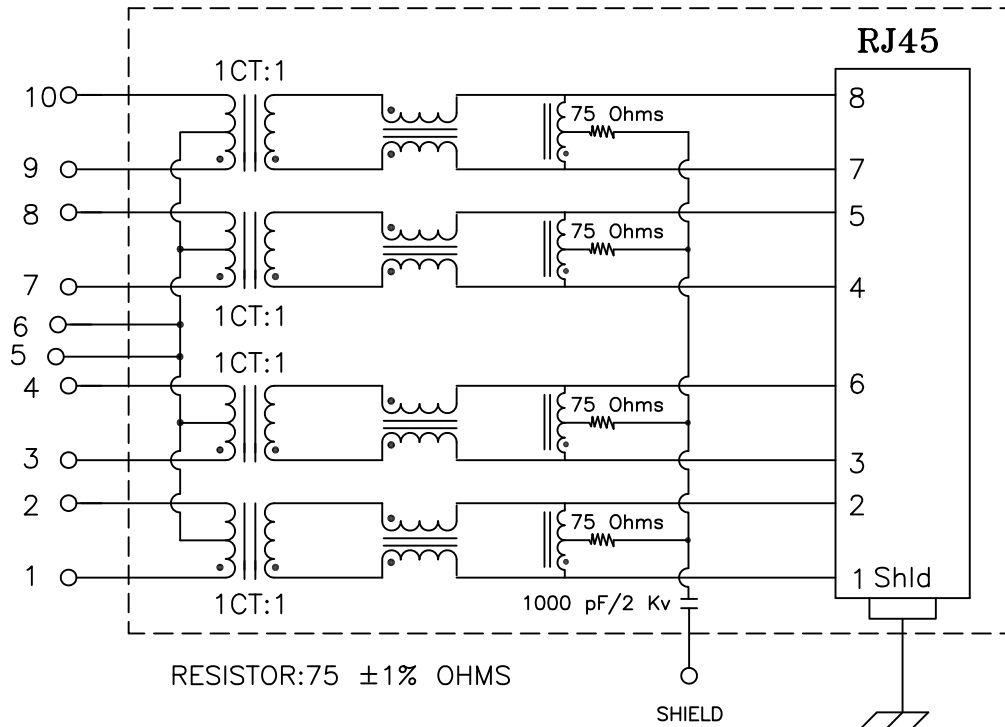


## Schematic:



## Electrical Specifications: @25°C

Isolation Voltage: 1500 Vrms (Input to Output)

OCL: 350uH MIN @100KHz 100mV 8mADC

URNS RATIO: (PRI/SEC) 1CT:1CT ±2%

Q: 5 Min @100KHz 0.1V

Insertion Loss: -1.0dB Typ @1-100 MHz

Return Loss: 1-30MHz 30-60MHz 60-80MHz  
 -16dB 16-20 Log(f/30 MHz)dB -10dB (Min)

CMRR: 1-60MHz 60-100MHz  
 -40dB -35dB (Min)

Cross Talk: 1-60MHz 60-100MHz  
 -40dB -38dB (Min)

### Notes:

1. Solderability: Leads shall meet MIL-STD-202G, Method 208H for solderability.
2. Flammability: UL94V-0
3. ASTM oxygen index: > 28%
4. UL Recognized Component: File Number E165866
5. Operating Temperature Range: All listed parameters are to be within tolerance from -40°C to +85°C
6. Storage Temperature Range: -55°C to +125°C
7. Aqueous wash compatible
8. Electrical and mechanical specifications 100% tested
9. RoHS Compliant Component

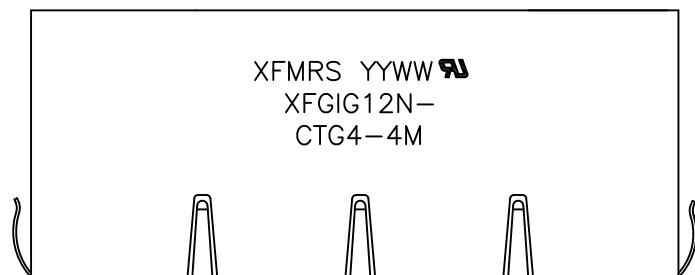
DOC. REV: A/1

<b>XFMRs Inc.</b> www.XFMRS.com		Title: Gigabit W/O LED COMBO	
UNLESS OTHERWISE SPECIFIED		P/N: XFGIG12N-CTG4-4M	REV. A
TOLERANCES: .xxx ±0.010		DWN. Yuan	Apr-03-14
Dimensions in Inch		CHK. YK Liao	Apr-03-14
SHEET 1 OF 2		APP. DDC	Apr-03-14

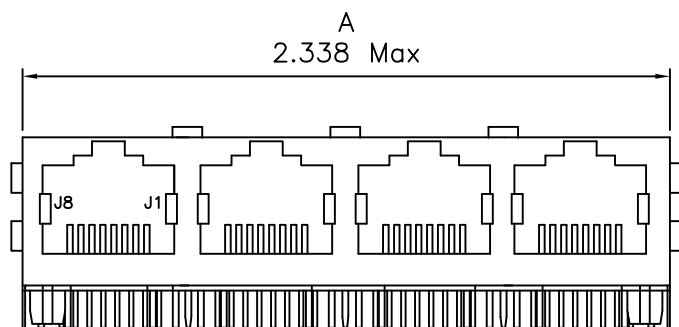
**PROPRIETARY:**

Document is the property of XFMRs Group & is not allowed to be duplicated without authorization.

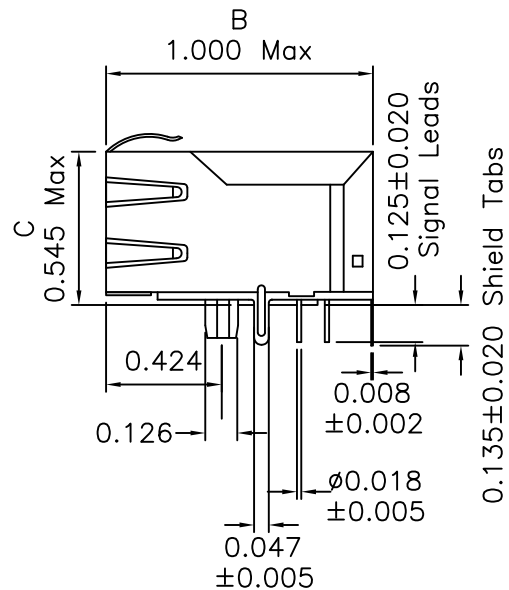
# Mechanical Dimensions: (FOR CTG4-4M)



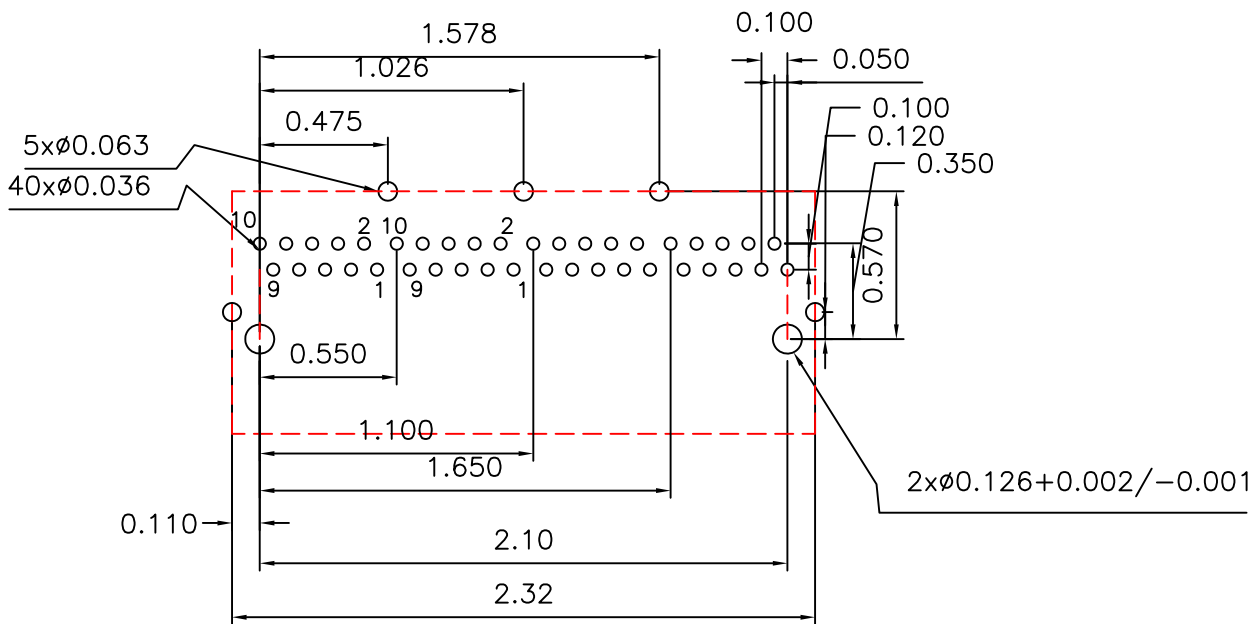
Top view



Front view



Side view



Four Port Suggested Footprint: (Top View)

DOC. REV: A/1

**XFMRS Inc**  
www.XFMRS.com

UNLESS OTHERWISE SPECIFIED  
TOLERANCES:  
.xxx ±0.010  
Dimensions in Inch

SHEET 2 OF 2

Title: "1" FOUR PORT GIGABIT  
COMBO TAB UP

P/N: XFGIG12N-CTG4-4M

REV. A

DWN.

Yuan

Apr-03-14

CHK.

YK Liao

Apr-03-14

APP.

DDC

Apr-03-14

**PROPRIETARY:**

Document is the property of XFMRS Group & is not allowed to be duplicated without authorization.