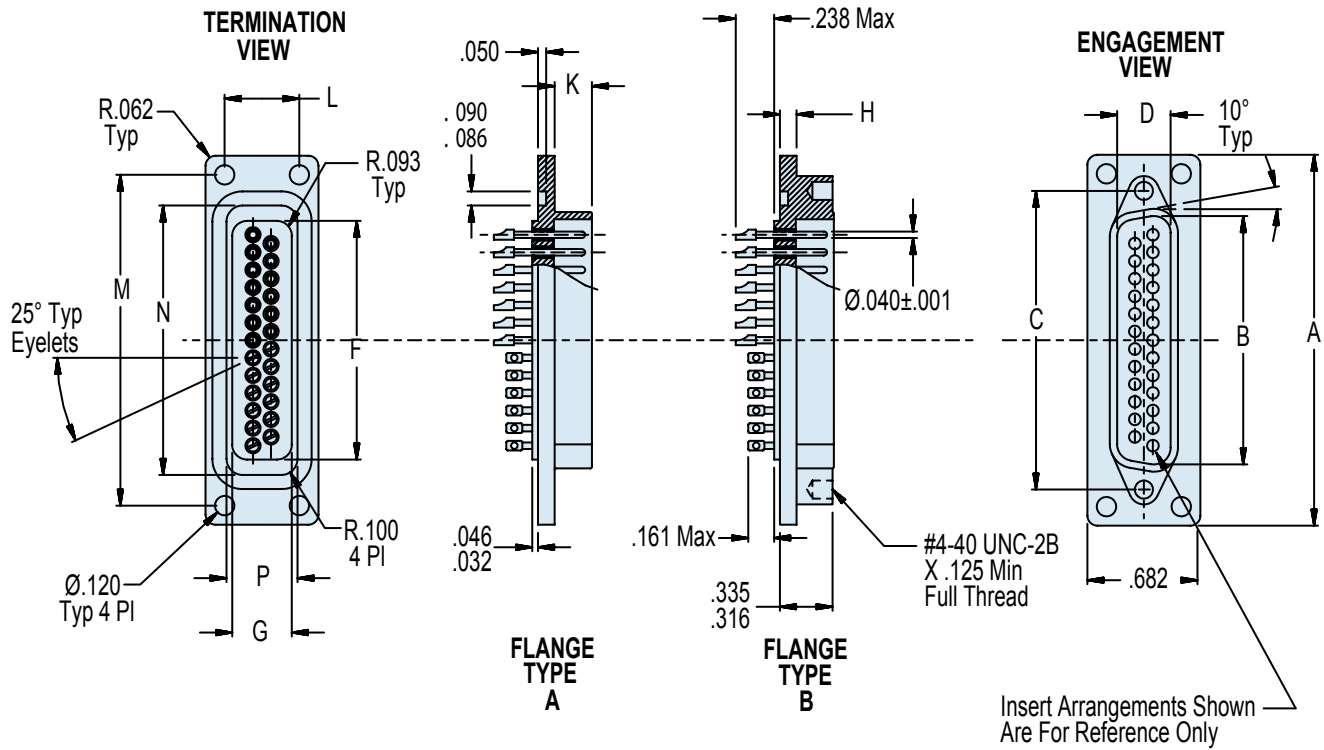
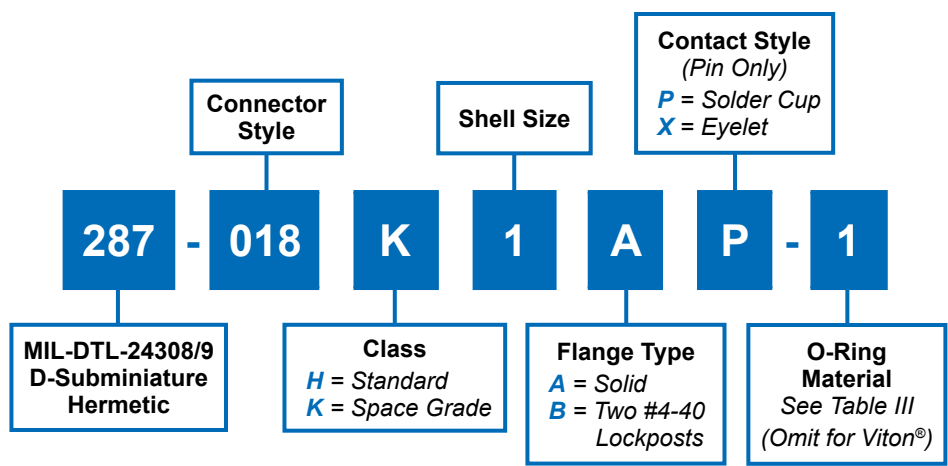




287-018
MIL-DTL-24308/9 Type Hermetic
Glass-Sealed D-Subminiature Connector
Front Mount O-Ring Seal



APPLICATION NOTES

- To be identified with manufacturer's name, part number and date code, space permitting.
- Contact Style: Eyelet or solder cup (see part development).
- Material/Finish:
 Shell: H = FT - Carbon steel/tin plated.
 K = Z16 - Stainless steel/nickel plated dull finish.
 Insulators: Glass bead/N.A.
 Contacts: Pins, alloy 52/gold plated.
- Metric dimensions (mm) are indicated in parentheses.
- Performance:
 DWV - 750 VAC Pin-to-Shell
 I.R. - 5,000 Megohms Min @ 500 VDC
 Hermeticity - 1×10^{-7} scc He/sec @ 1 atmosphere differential.
- All dimensions are typical for flange types "A" and "B". "C" dim is not applicable to flange type "A".
- Glenair 287-018 will mate with any QPL MIL-DTL-24308/1, /2 and /23 receptacle of the same size and arrangement.

Dimensions in Inches (millimeters) are subject to change without notice.

287-018

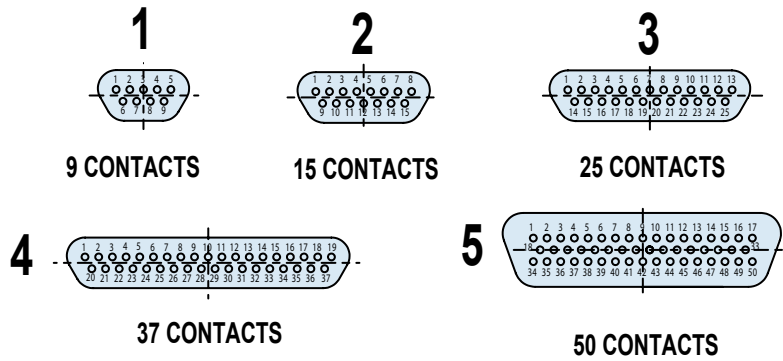
**MIL-DTL-24308/9 Type Hermetic
Glass-Sealed D-Subminiature Connector
Front Mount O-Ring Seal**



MIL-DTL-24308
Type

TABLE III: O-RING MATERIAL

Dash Number	Material
None	Viton®
-1	Nitrile
-2	Fluorosilicone
-3	Silicone
CE*	Conductive Epdm
CF*	Conductive Fluorosilicone
CS*	Conductive Silicone



*Customer to specify Chomerics® compound of choice.

Example:

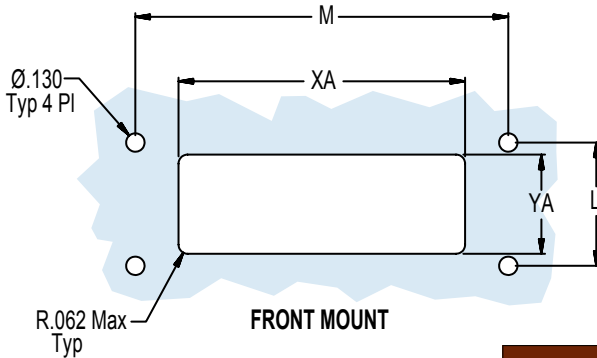
CF1217 = Silver-Plated copper in fluorosilicone

TABLE I: CONNECTOR DIMENSIONS

Shell Size	Dim A ± .015 (± 0.4)	Dim B ± .004 (± 0.1)	Dim C ± .005 (± 0.1)	Dim D ± .004 (± 0.1)	Dim E ± .010 (± 0.3)	Dim F ± .010 (± 0.3)	Dim G ± .010 (± 0.3)	Dim H ± .006 (± 0.2)	Dim K ± .010 (± 0.3)	Dim L BSC	M BSC	N ± .005 (± 0.1)	P ± .005 (± 0.1)
1	1.413 (35.9)	.667 (16.9)	.984 (25.0)	.330 (8.4)	.698 (17.7)	.725 (18.4)	.369 (9.4)	.094 (2.4)	.235 (6.0)	.462 (11.7)	1.177 (29.9)	.805 (20.4)	.440 (11.2)
2	1.741 (44.2)	.993 (25.2)	1.312 (33.3)	.330 (8.4)	.698 (17.7)	.932 (23.7)	.369 (9.4)	.094 (2.4)	.235 (6.0)	.462 (11.7)	1.499 (38.1)	1.002 (25.5)	.440 (11.2)
3	2.288 (58.1)	1.535 (39.0)	1.852 (47.0)	.330 (8.4)	.698 (17.7)	1.479 (37.6)	.369 (9.4)	.103 (2.6)	.230 (5.8)	.462 (11.7)	1.972 (50.1)	1.589 (40.4)	.440 (11.2)
4	2.929 (74.4)	2.183 (55.4)	2.500 (63.5)	.330 (8.4)	.698 (17.7)	2.125 (54.0)	.369 (9.4)	.103 (2.6)	.230 (5.8)	.462 (11.7)	2.693 (68.4)	2.183 (55.4)	.440 (11.2)
5	2.835 (72.0)	2.079 (52.8)	2.406 (61.1)	.441 (11.2)	.810 (20.6)	2.000 (50.8)	.500 (12.7)	.103 (2.6)	.230 (5.8)	.654 (16.6)	2.599 (66.0)	2.250 (57.2)	.570 (14.5)

J

**RECOMMENDED PANEL CUTOUT
SEE TABLE 2**



HERMETIC LEAK RATE MOD CODES

Designator	Required Leak Rate
-586A	1 x 10 ⁻¹⁰ cc Helium per second
-586B	1 x 10 ⁻⁹ cc Helium per second
-586C	1 x 10 ⁻⁸ cc Helium per second

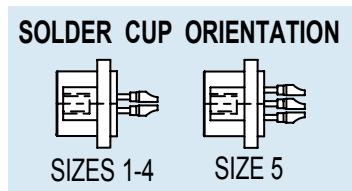


TABLE II: PANEL CUT-OUT

Shell Size	Dim XA	Dim YA	Dim L	Dim M
1	.745 (18.9)	.385 (9.8)	.462 (11.7)	1.177 (29.9)
2	.950 (24.1)	.385 (9.8)	.462 (11.7)	1.499 (38.1)
3	1.495 (38.0)	.385 (9.8)	.462 (11.7)	1.972 (50.1)
4	2.145 (54.5)	.385 (9.8)	.462 (11.7)	2.693 (68.4)
5	2.015 (51.2)	.520 (13.2)	.654 (16.6)	2.599 (66.0)

Dimensions in Inches (millimeters) are subject to change without notice.