

HC6

High Power Resonant Capacitors



FEATURES

High AC Voltage - High current

APPLICATIONS

Induction Heating - Tank Circuits

KVAR	600
CAPACITANCE TOLERANCE	+/-10%
MAXIMUM CORE TEMPERATURE	+85°C
SURFACE TEMPERATURE	+45°C (Above 45°C the KVAR rating must be de-rated by 2.25%/°C)
CONSTRUCTION	Self-healing
SELF INDUCTANCE	<5 nH
DIELECTRIC	Polypropylene
FLAME RETARDANT	UL94V0

Standard part listing

Capacitance (µF)	VAC	IC part number	Maximum RMS current (A)	MAX power kvar	Frequency range (kHz)	ESR (mΩ) 100kHz, +25°C	Dimensions (mm)			Terminal Style
							B	H	L	
0.33	1000	334HC6102K2EM8	600	600	290	1.0	30.2	66	56	2EM8
0.50	1000	504HC6102K2EM8	700	600	191-260	0.9	30.2	66	56	2EM8
0.66	1000	664HC6102K2EM8	700	600	145-197	0.8	30.2	66	56	2EM8
1.33	900	135HC6900K2EM8	950	600	89-180	0.3	30.2	66	56	2EM8
2.60	700	265HC6700K2EM8	1050	600	76-112	0.3	30.2	66	56	2EM8
5.00	500	505HC6500K2EM8	1200	600	76	0.2	30.2	66	56	2EM8
0.33	1000	334HC6102K4TM6	600	600	290	1.0	30.2	60	60	4TM6
0.50	1000	504HC6102K4TM6	700	600	191-260	0.9	30.2	60	60	4TM6
0.66	1000	664HC6102K4TM6	700	600	145-197	0.8	30.2	60	60	4TM6
1.33	900	135HC6900K4TM6	950	600	89-180	0.3	30.2	60	60	4TM6
2.60	700	265HC6700K4TM6	1050	600	76-112	0.3	30.2	60	60	4TM6
5.00	500	505HC6500K4TM6	1200	600	76	0.2	30.2	60	60	4TM6



Your Global Source for World-Class Capacitors

© 2013 Illinois Capacitor, Inc.

North America
Tel: 847.675.1760
sales@illcap.com

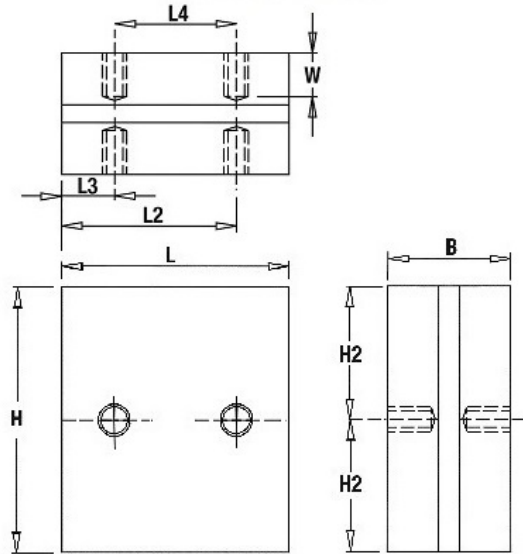
Asia
Tel: 852.2793 0931
sales@illcap.com.hk

HC6

High Power Resonant Capacitors

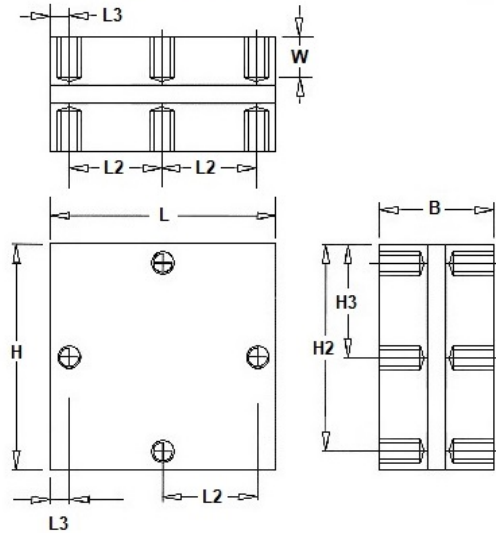


LEAD STYLE: 2EM8



L	H	B	H2	L2	L3	L4	W
56±0.5	66±0.5	30.2±0.1	33	43	13	30	10±0.5
Mounting Holes: M8x1.25 tap fitted with SS helicoil							
Tightening torque: 15Nm MAX							

LEAD STYLE: 4TM6



L	H	B	H2	H3	L2	L3	W
60±0.5	60±0.5	30.2±0.1	55	30	25	5	10±0.5
Mounting Holes: M6x1 tap fitted with SS helicoil							
Tightening torque: 15Nm MAX							

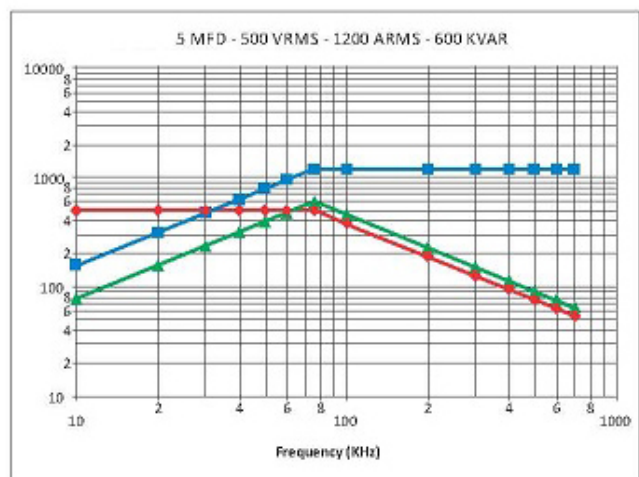
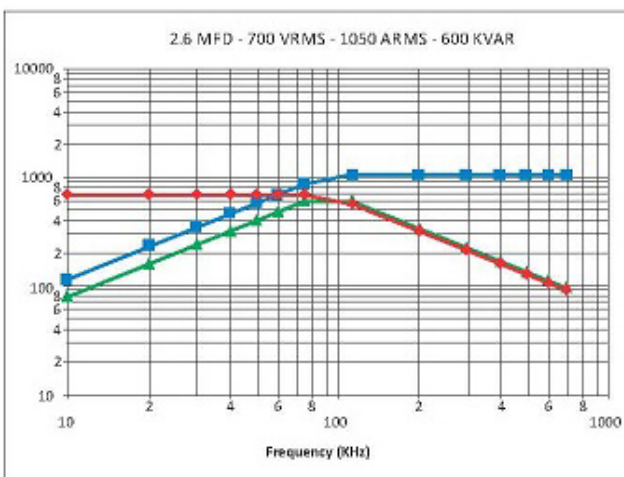
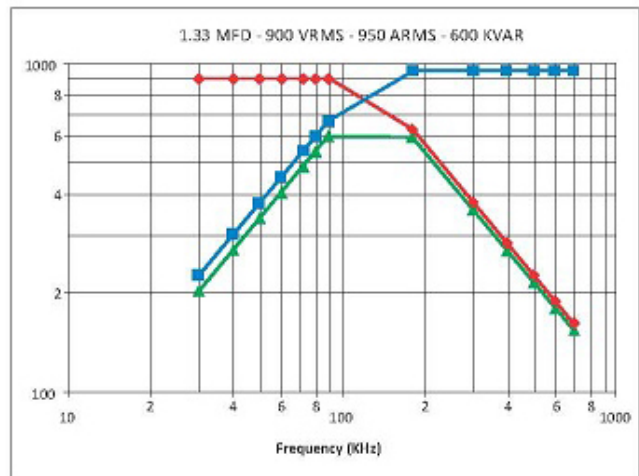
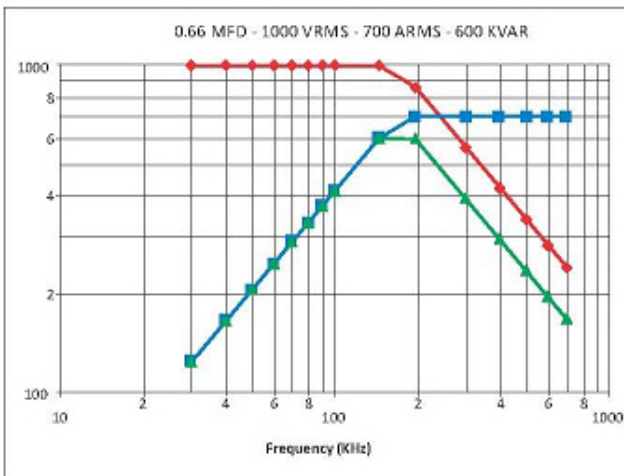
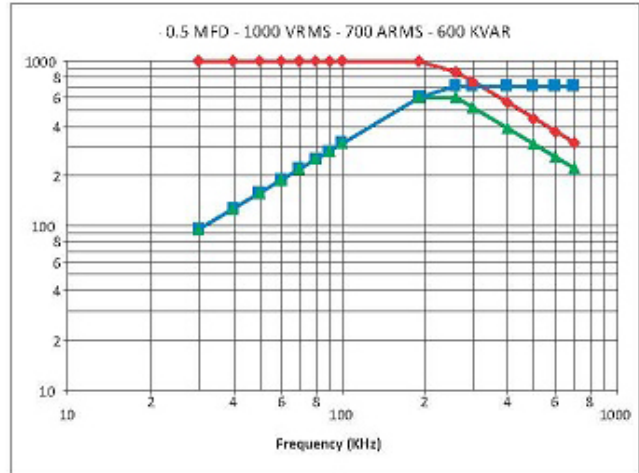
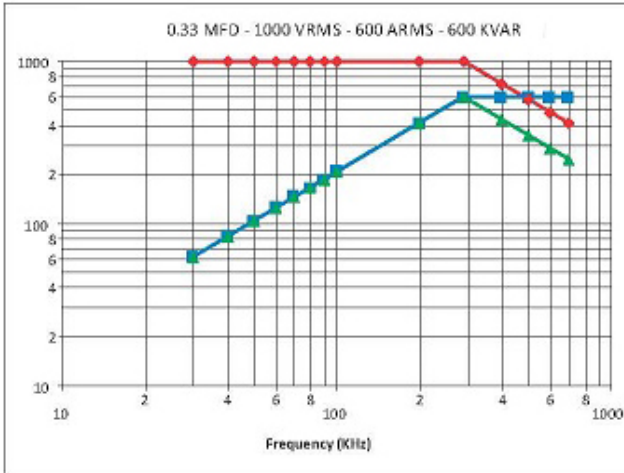
HC6

High Power Resonant Capacitors



Frequency Derating

— Voltage — Current — Power



ILLINOIS CAPACITOR

Your Global Source for World-Class Capacitors

© 2013 Illinois Capacitor, Inc.

North America
Tel: 847.675.1760
sales@illcap.com

Asia
Tel: 852.2793 0931
sales@illcap.com.hk