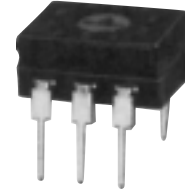


### Highly Reliable Subminiature Dip Switch

- Precision rotary cam and contactor drive provide high reliability
- Subminiature: 9 (W) x 6.6 (L) x 4.5 (H) mm
- Molded base and rotor sealed by O-ring; eliminates the need for tape sealing

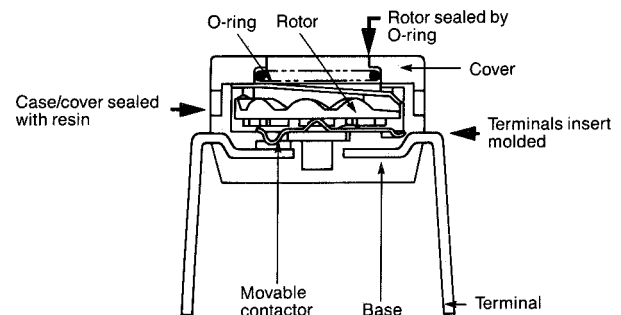


### Ordering Information

Output code type	No. of switching positions	Part Number	
		Top actuated	Side actuated
BCD	10	<b>A6C-10R(N)</b>	<b>A6CV-10R</b>
BCD Hexadecimal	16	<b>A6C-16R(N)</b>	<b>A6CV-16R</b>

#### ■ CONSTRUCTION

The movable contactor is moved as the rotor rotates. The terminals are insert molded into the base. The rotor is secured by an O-ring and the case and the cover are made of plastic resin. Therefore, the internal mechanism is effectively sealed.



### Characteristics

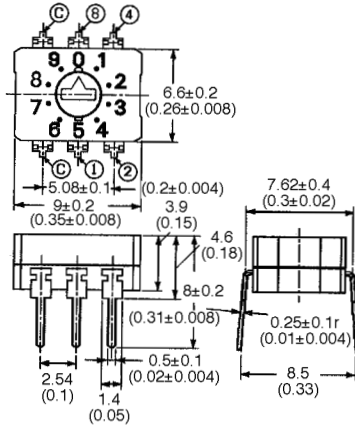
Switching capacity		100 mA, 30 VDC
Permissible load		10 $\mu$ A, 3.5 VDC min.
Carry current		100 mA max.
Contact resistance		200 M $\Omega$ max.
Insulation resistance		100 M $\Omega$ min. (at 250 VDC)
Dielectric strength		500 VAC for 1 minute between current-carrying metal parts and ground 250 VAC for 1 minute between terminals of same pole
Operating force		15 to 100 g-cm
Vibration	Malfunction durability	10 to 55 Hz, 1.5 mm double amplitude
Shock	Malfunction durability	Approx. 300 m/s <sup>2</sup> (30 G)
Materials	Base/Cover	PPS (Polyphenylene sulfide)
	Rotor	PBT (Polybutylene terephthalate)
	O-ring	Acryl nitril butadiene rubber
	Movable contact	SUS plate, gold-plated
	Terminal	42-alloy plate (nickel-iron alloy)
Ambient temperature	Operating	-20° to 70°C
Humidity		35% to 95% RH
Service life	Mechanical	10,000 operations min.
	Electrical	2,000 operations min.
Weight		A6C-10R, -16R: Approx. 0.4 g, A6CV-10R, -16R: Approx. 0.7 g

Note: Data shown are of initial value.

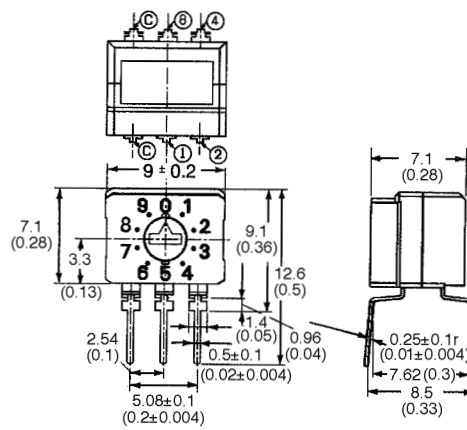
# Dimensions

Unit: mm (inch)

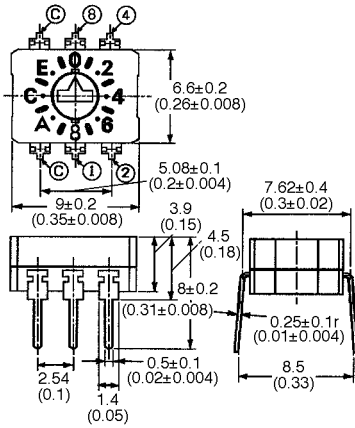
**A6C-10R(N)**



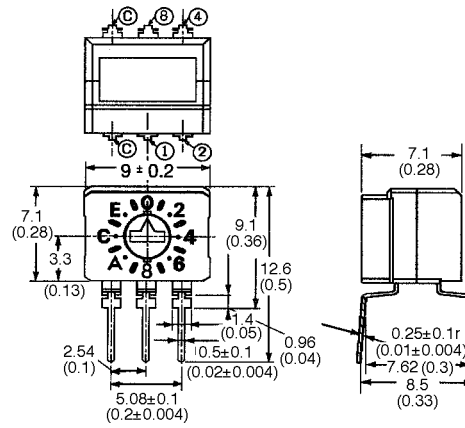
**A6CV-10R**



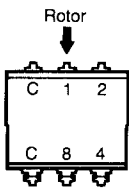
**A6C-16R(N)**



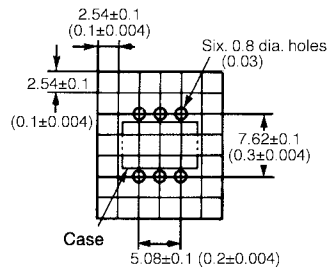
**A6CV-16R**



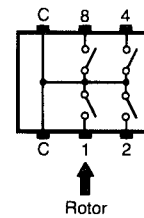
**Terminal arrangement (bottom view)**



**Mounting holes PCB dimension (top view)**



**Internal connections (top view)**



# Hints on Correct Use

Refer to HINTS ON CORRECT USE under the General Information section.



**OMRON ELECTRONICS, INC.**  
One East Commerce Drive  
Schaumburg, IL 60173  
**1-800-55-OMRON**

**OMRON CANADA, INC.**  
885 Milner Avenue  
Scarborough, Ontario M1B 5V8  
**416-286-6465**