

THIS DRAWING IS UNPUBLISHED.

RELEASED FOR PUBLICATION

20

© COPYRIGHT 20 BY -

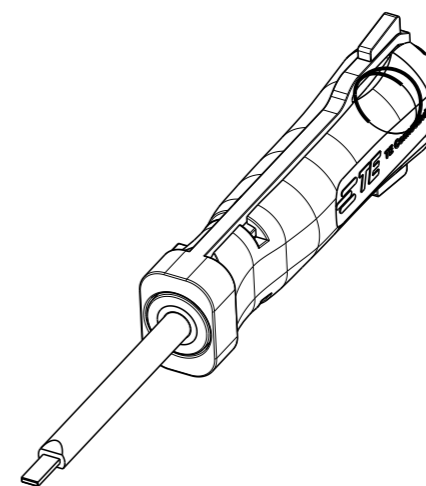
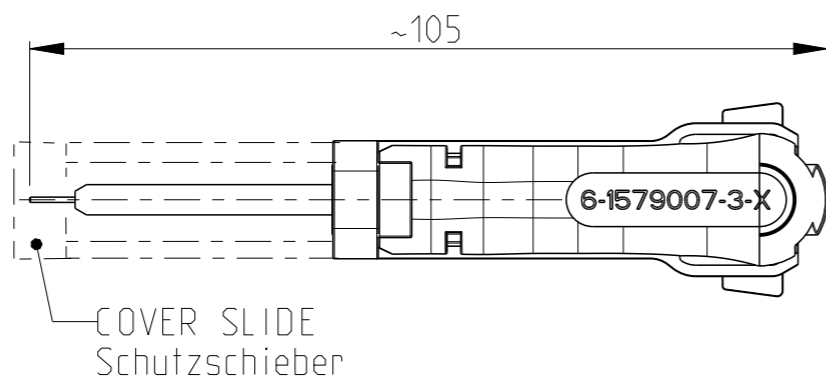
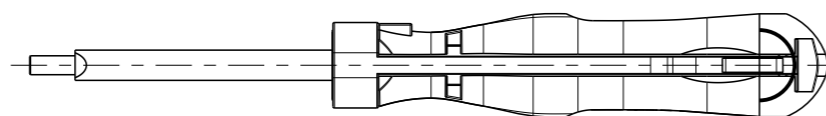
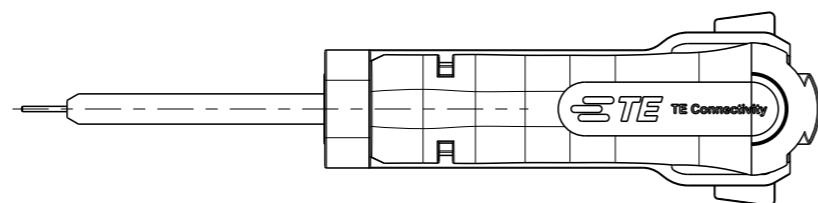
ALL RIGHTS RESERVED.

LOC
A1

DIST
-

REVISIONS

P	LTR	DESCRIPTION	DATE	DWN	APVD
	B	ECR-12-006154	15JAN2013	RG	GS



FOR CONTACT: MQP

Replacement for tool: 1355968-1

THIS DRAWING IS A CONTROLLED DOCUMENT.		DWN J. ZAJICEK	22MAR2006		
DIMENSIONS: mm		CHK -	APVD -		
		TOLERANCES UNLESS OTHERWISE SPECIFIED:		NAME EXTRACTION TOOL Entriegelungswerkzeug	
MATERIAL		FINISH		PRODUCT SPEC -	APPLICATION SPEC -
				SIZE A3	CAGE CODE 00779
				DRAWING NO C-6-1579007-3	RESTRICTED TO -
				WEIGHT 17g	SCALE 1:1
				Customer Drawing	SHEET 1 OF 1
					REV B