

THIS DRAWING IS UNPUBLISHED.

RELEASED FOR PUBLICATION

2014

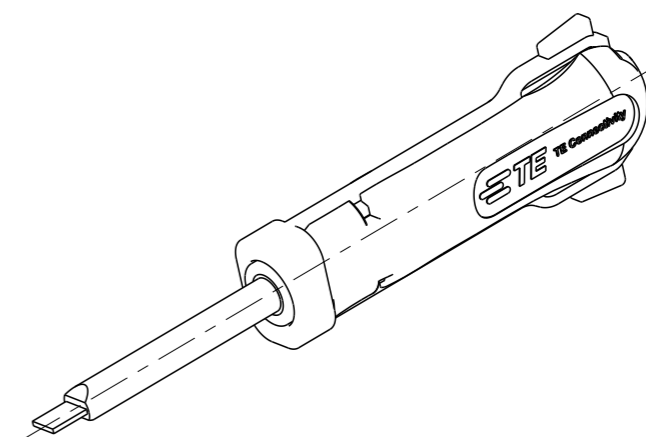
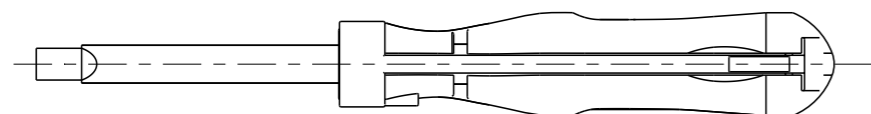
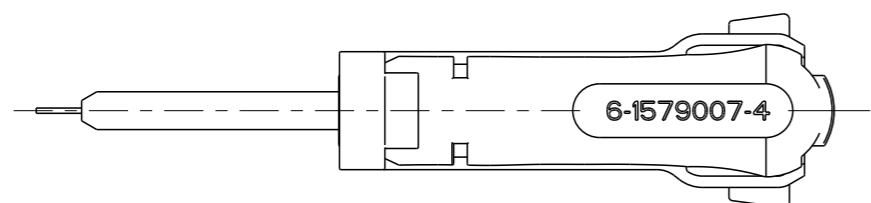
© COPYRIGHT 2014

TE Connectivity

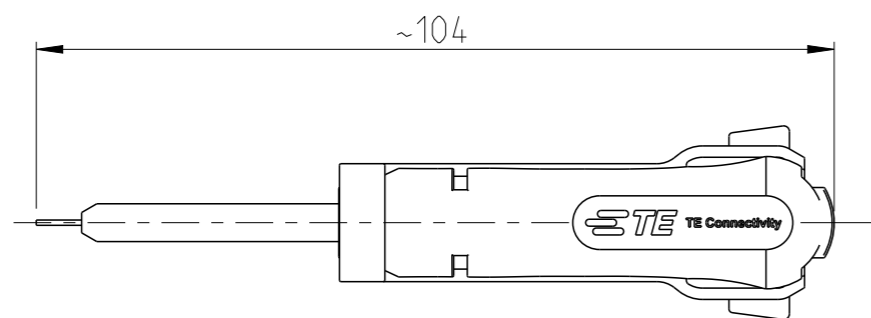
ALL RIGHTS RESERVED.

REVISIONS

P	LTR	DESCRIPTION	DATE	DWN	APVD
	A	INITIAL REVISION	26SEP2006	CP	HK
	B	ECR-14-001739	06FEB2014	MG	GS



FOR CONTACTS: PQ



THIS DRAWING IS A CONTROLLED DOCUMENT.

DWN C.Rapp 26SEP2006

CHK -

APVD H.Knapp 26SEP2006

PRODUCT SPEC -

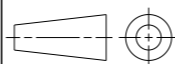
APPLICATION SPEC -

WEIGHT 18g

Customer Drawing

DIMENSIONS:

mm



TOLERANCES UNLESS OTHERWISE SPECIFIED:

- 0 PLC ±
- 1 PLC ±
- 2 PLC ±
- 3 PLC ±
- 4 PLC ±
- ANGLES ±1°

MATERIAL -

FINISH -

-

-



TE Connectivity

NAME

EXTRACTION TOOL
Entriegelungswerkzeug

SIZE

CAGE CODE

DRAWING NO

RESTRICTED TO

A3

00779

6-1579007-4

-

SCALE 1:1

SHEET 1 OF 1

REV B