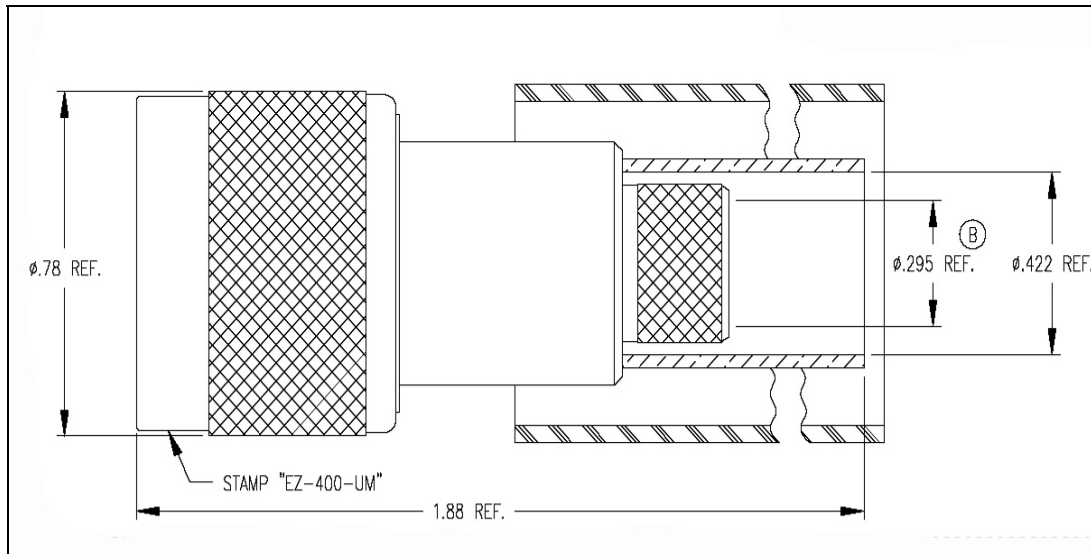


LTR	DESCRIPTION	DATE	BY
-	Released	10/14/00	JCL



**I. MATERIALS & FINISHES**

- center contact: Gold Plated Beryllium Copper (non-solder)
- outer contact: Nickel Plated Brass
- body: Nickel Plated Brass
- coupling nut: Nickel Plated Brass
- crimp sleeve: Nickel Plated Copper
- dielectric: Teflon® PTFE
- gasket: Silicone Rubber
- shrink sleeve: Adhesive Lined Polyolefin
- crimp size: .429" hex

**II. ELECTRICAL PROPERTIES**

- impedance: 50 ohms
- working voltage: 500 vrms (max)
- vswr: 1.25:1 (max) up to 1 GHz
- insertion loss: 0.1 x √Fghz

Unless otherwise specified, dimensions are in inches. Tolerances are applicable when specified.

These drawings and specifications contain proprietary information which is the property of Times Microwave Systems.

Approvals		
Drawn	JCL	10/14/00



**TIMES MICROWAVE SYSTEMS**

Wallingford, CT 06492  
 (203) 949-8400; (203) 949-8423.Fax  
 www.timesmicrowave.com

**EZ-400-UM**

**EZ Install (non-solder)  
 Type-UHF Male (plug) for LMR-400 Cable**

Size A	CAGE CODE <b>68999</b>	Drawing No.: <b>3190-977</b>
--------	---------------------------	---------------------------------

Scale: NA

Rev. (-)

Sheet: 1 of 1