



SOLID STATE DEVICES, INC.

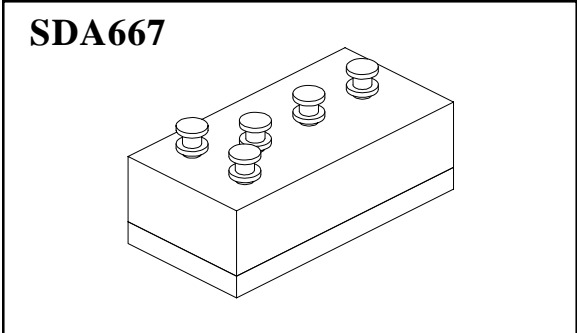
14830 Valley View Blvd * La Mirada, Ca 90638
 Phone: (562) 404-7855 * Fax: (562) 404-1773

Designer's Data Sheet

- FEATURES:**
- Up to 1000 V Blocking Voltage
 - Average Output Current 40 Amps
 - Low Reverse Leakage Current
 - Constructed with Void-free, Hermetically Sealed Discretes
 - Aluminum Baseplate for Maximum Thermal Conductivity
 - Electrically Insulated Aluminum Baseplate
 - TX and TXV & S Level Screening Available
 - Fast Recovery Time (250ns), Ultrafast (70ns) versions available

SDA667 Series

**40A / 600 - 1000V
 THREE PHASE BRIDGE
 RECTIFIER ASSEMBLY
 FAST RECOVERY
 250 NS MAX**



Maximum Ratings		SYMBOL	VALUE	UNITS
Peak Repetitive Reverse and DC Blocking Voltage	"J"	V_{RRM}	600	Volts
	"K"	V_{RWM}	800	
	"M"	V_R	1000	
Average Rectified Forward Current ^{1/} , ^{2/} (Resistive load, 60Hz, Sine Wave, $T_C = 55^\circ C$)		I_o	40	Amps
Peak Surge Current ^{1/} (8.3 ms Pulse, Half Sine Wave, $T_A = 25^\circ C$)		I_{FSM}	250	Amps
Operating and Storage Temperature Maximum Junction Temperature		$T_{OP} \& T_{stg}$ T_J	-65 TO +150 175	$^\circ C$
Maximum Thermal Resistance ^{1/} Junction to Case		θ_{JC}	0.85	$^\circ C/W$

Available Part Numbers: ^{4/}

SDA667JF, SDA667KF, SDA667MF

Part Number /Ordering Information

SDA667 M F T- Terminal: T = Turret
 L = Lug

Speed: F = Fast

Voltage: J = 600V
 K = 800V
 M = 1000V

NOTE: All specifications are subject to change without notification. SCD's for these devices should be reviewed by SSDI prior to release.

DATA SHEET # : RA0022A

SDA667 Series



SOLID STATE DEVICES, INC.

14830 Valley View Blvd * La Mirada, Ca 90638
Phone: (562) 404-7855 * Fax: (562) 404-1773

Electrical Characteristics ^{5/} (per leg)		SYMBOL	MIN	MAX	UNITS
Peak Reverse Voltage ($I_R = 100 \mu A$)	SDA667JF SDA667KF SDA667MF	BVR	620 820 1020	- - -	Vdc
Instantaneous Forward Voltage Drop (300 - 500 μ sec pulse)	$I_F = 3A$ $I_F = 9A$	V_{F1} V_{F2}	- -	1.15 1.30	Vdc
Reverse Leakage Current (Rated V_R , 300 μ s pulse minimum)		I_{R1}	-	5	μA
Reverse Leakage Current (Rated V_R , $T_A = 100^\circ C$, 300 μ s pulse minimum)		I_{R2}	-	60	μA
Reverse Recovery Time ($I_F = 0.5A$, $I_R = 1.0A$, $I_{RR} = 0.25A$)		t_{RR}	-	250	nsec
Isolation Resistance (All Terminals in Common to Case) ($V = 1500V$)		R_{ISO}	100	-	MΩ

NOTES:

- 1/ Rating Applies to the Total Bridge
- 2/ Derate Linearly at $0.35A/^\circ C$ for $T_C > 55^\circ C$.
- 3/ Other Termination available. Contact Factory
- 4/ For Package Outline and Part Availability,
Contact Factory.
- 5/ All Electrical Characteristics @ $25^\circ C$,
unless otherwise specified.

