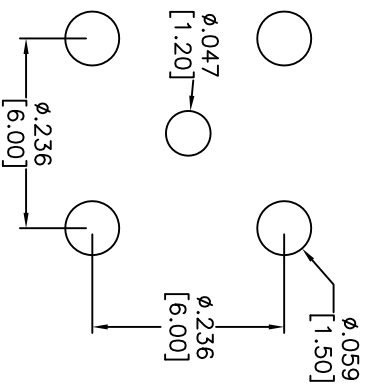
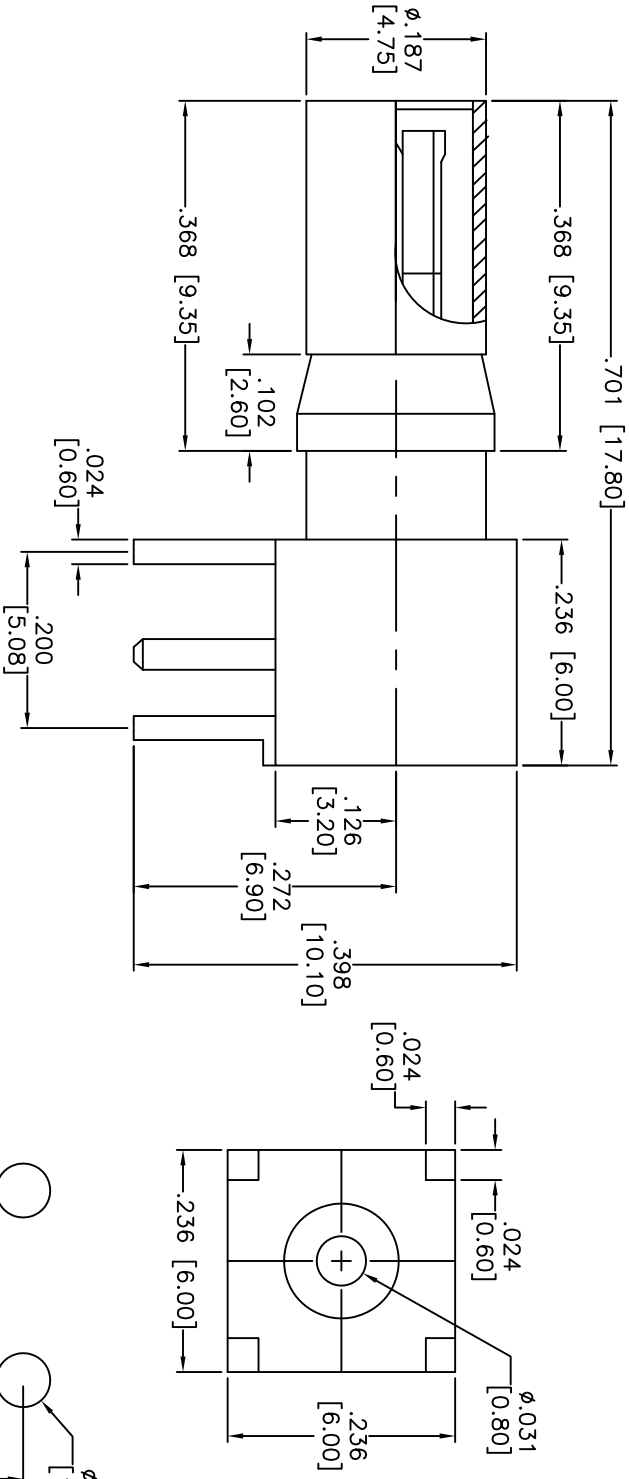


| Rev | AWO # | Description | Date | Appr |
|-----|-------|-------------|----------|------|
| - | 10616 | RELEASED | 10/19/10 | |

APPROVED: _____
 DATE: _____ TITLE: _____



| PIN | BRASS | GOLD |
|-------------|----------|--------|
| BODY | BRASS | GOLD |
| INSULATOR | TEFLON | NOLD |
| DESCRIPTION | MATERIAL | FINISH |

ADAM TECH

909 Rahway Avenue, Union, NJ 07083
 Phone: 908-687-5000 Fax: 908-687-5710

TITLE: BULKHEAD ANGLE PLUG, W/ PCB CONNECTION
 1.02.0 INSERT 500HM

UNLESS OTHERWISE SPECIFIED
 ALL DIMENSIONS ARE MM [INCHES]
 TOLERANCES: EXCEPT AS NOTED

| INCHES | HOLDS |
|-------------|-------------|
| .X ± .10 | ØX ± .10 |
| .XX ± .020 | ØXX ± .015 |
| .XXX ± .015 | ØXXX ± .010 |

APPROVALS

| DATE | DATE |
|----------|------|
| 10/19/10 | |

DRAWN: DY
 CHECKED: _____
 APPROVED: _____

| | | |
|--------------|-------------------|--------------|
| SIZE | PART NO. | REV. |
| X | RF25-05-T-00-50-G | |
| REF: S00049T | SCALE: NTS | SHEET 1 OF 1 |

SPECIFICATIONS:
 Environmental:
 Lead free, RoHS compliant.



6 5 4 3 2 1

A B C D A B C D