

32-Bit Traveo™ Family Microcontroller Datasheet

This section provides an overview of the S6J3120 series. The S6J3120 series is a set of 32-bit microcontrollers designed for in-vehicle use. It uses the ARM® Cortex-R5 CPU as a CPU.

Features

This section explains the features of the S6J3120 series.

Cortex-R5 Core

■ This section explains the Cortex-R5 CPU core.

- ARM® Cortex®-R5
- 32-bit ARM architecture
 - 2-instruction issuance super scalar
 - 8-stage pipeline
- ARMv7/Thumb®-2 instruction set
- MPU (memory protection) equipped
 - 16-area support
- ECC support for the TCM ports for RAM
 - 1-bit error correction and 2-bit error detection (SEC-DED)
- TCM ports
 - 2 TCM ports
 - ATCM port
 - BTCM port (BOTCM, B1TCM)
- Caches
 - Instruction cache 16 KB
 - Data cache 16 KB
- VIC port
 - Low latency interrupt
- AXI master interface
 - 64-bit AXI interface (instruction/data access)
 - 32-bit AXI interface (I/O access)
- AXI slave interface
 - 64-bit AXI interface (TCM port access)
- ETM-R5 trace

Peripheral Functions

This section explains peripheral functions.

- Clock generation
 - Main clock oscillation (4 MHz)
 - No sub clock oscillation
 - CR oscillation (100 kHz)
 - CR oscillation (4 MHz)
- Built-in Flash memory size
 - Program: 1024 K + 64 KB (S6J312AHzC*)/768 K + 64 KB (S6J3129HzC*)/512 K + 64 KB (S6J3128HzC*)
 - *z: A/B

- Work: 112 KB (S6J312AHzC*)/ 112 KB (S6J3129HzC*)/112 KB (S6J3128HzC*)
- *z: A/B

■ Built-in RAM size

- TCRAM 64 KB(S6J312AHzC*)/ 48 KB(S6J3129HzC*)/32 KB(S6J3128HzC*)
- System SRAM 16 KB (S6J312AHzC*)/ 16 KB (S6J3129HzC*)/ 16 KB (S6J3128HzC*)
- Backup RAM 8 KB (S6J312AHzC*)/ 8 KB (S6J3129HzC*)/8 KB (S6J3128HzC*)
- *z: A/B

■ General-purpose ports: 112 channels (S6J312AHzC*)/ 112 channels (S6J3129HzC*)/ 112 channels (S6J3128HzC*)

- *z: A/B

■ External bus interface

- 24-bit address, 16bit data

■ DMA controller

- Up to 16 channels can be activated simultaneously.

■ A/D converter (successive approximation type)

- 12-bit resolution, 2 units mounted: Max 50 channels (22 channels + 28 channels)(S6J312AHzC*)/ Max 50 channels (22 channels + 28 channels)(S6J3129HzC*)/ Max 50 channels (22 channels + 28 channels)(S6J3128HzC*)
- *z: A/B

■ External interrupt input: 16 channels

- Level ("H"/"L") and edge (rising/falling) can be detected.

■ Multi-function serial (transmission and reception FIFOs mounted) :Max 10 channels(S6J312AHzC*)/ Max 10 channels(S6J3129HzC*)/ Max 10 channels(S6J3128HzC*)

- *z: A/B
- <I²C>
- Full duplex, double buffering system; 64-byte transmission FIFO, 64-byte reception FIFO
- Standard mode (Max. 100kbps) is supported only.
- DMA transfer is supported.
- <UART (asynchronous serial interface) >
- Full duplex, double buffering system; 64-byte transmission FIFO, 64-byte reception FIFO
- Parity check can be enabled/disabled.
- Built-in dedicated baud rate generator
- An external clock can be used as a transfer clock.
- Parity, frame, overrun error detection functions are available.
- DMA transfer is supported.

<CSIO (synchronous serial interface) >

- Full duplex, double buffering system; 64-byte transmission FIFO, 64-byte reception FIFO
- Support for SPI. Both master and slave roles are supported. Data length in bits can be set to a value from 5 to 16 or one of the values of 20, 24, and 32.
- Built-in dedicated baud rate generator (master operation)
- External clock input is enabled (slave operation).
- Overrun error detection function is available.
- DMA transfer is supported.
- Serial chip select SPI function

<LIN-UART (asynchronous serial interface for LIN) >

- Full duplex, double buffering system; 64-byte transmission FIFO, 64-byte reception FIFO
- Support for LIN protocol revision 2.1
- Both master and slave roles are supported.
- Framing error and overrun error detection
- LIN Synch break generation and detection, LIN Synch Delimiter generation
- Built-in dedicated baud rate generator
- The external clock can be adjusted by the reload counter.
- DMA transfer is supported.

■ CAN controller: CAN-FD Max 3 channel

- CAN-FD (V3.2.0)
- CAN transfer speed :5Mbps
- CAN Clock :Max 40MHz
- 192 message buffers/channel (reception message buffer size)
- 32 message buffer/channel (transmission message buffer size)

■ Base timer: MAX 30 channels

- 16bit Timer.
- It is selectable by 4 functions of the PWM/PPG/PWC/Reload Timer.
- 2-channel cascade connection enables operation as a 32-bit timer.(PWC and Reload Timer)

■ Reload timer: Max 10 channels

- 32bit Timer.

■ Free-run timer: Max 6 channels

- 32bit Timer.
- Main clock oscillation and CR oscillation are available.
- Free-run timer output can work in combination with an input capture and an output compare.

■ Input capture: Max 12 channels

- 32bit Timer.

■ Output compare: Max 12 channels

- 32bit Timer.

■ Sound generator : Max 3 channels

- Frequency and amplitude sequencers provided.

■ Stepping motor controller : Max 4 channels

- 8/10-bit PWM
- High current output supported (4 lines × 4 channels)
- Can refer back electromotive force using pin-shared A/D converter

■ LCD controller

- Common output : 4 , Segment output : 32

- Duty drive (SEG0 to SEG31) and static drive (ST0 to ST8) can be switched.
- Each of COM0 to COM3, SEG0 to SEG31, V0, V1, V2, and V3 pins for duty drive can be switched to the general-purpose port. (The SEG23 to SEG31 pins can be switched to static driving.)
- V0, V1, V2 and V3 pin can be used as the general-purpose port. But V3 pin cannot be used as an output pin.
- Each of ST0 to ST8 pins for static drive can be switched to the general-purpose port, or it can be switched to the segment output of duty drive.

■ Quad position & revolution counter(QPRC) : Max 2 channels

■ Real time clock (RTC) (day/hour/minute/second)

- Main clock oscillation or CR oscillation (100 kHz) can be selected as an operation clock.

■ Calibration: Real time clock (RTC) driven by the CR clock

- Correction can be done by configuring the prescaler of the real time clock based on the ratio between the main clock and the CR clock.

■ Clock supervisor

- Abnormality (such as damaged crystal) of the main clock oscillation (4 MHz) can be monitored.
- The clock can switch to the CR clock when an abnormality is detected.
- PLL abnormality can be detected.

■ CRC generation

- Fixed-length CRC
 - CCITT CRC16 generator polynomial: 0x1021
 - IEEE-802.3 CRC32 generator polynomial: 0x04C11DB7

■ DDR HS-SPI

- E²PROM and the flash device of the Single/Dual/Quad-SPI protocol can be connected.

■ Watchdog timer

- Hardware watchdog
- Software watchdog

■ NMI

■ I/O relocation

- Peripheral function pin locations can be changed.

■ Low-power consumption control

- Standby function
- Power-off function
- Partial wakeup function

■ Power-on reset

■ Low-voltage detection reset

■ Security

- Flash security
- Interface security (JTAG + test port)
- SHE
- Unique device ID

■ Package: LEU144 (S6J312xHzC*)

- *x:A/9/8, z: A/B

■ CMOS 55 nm technology

■ Power supply

- 5 V single power supply
- The voltage step-down circuit generates internal 1.2 V from 5 V.
- 5 V power supply is used for I/O.

Table of Contents

Features	1
1. Product Lineup	6
2. Pin Assignment	8
3. Pin Description	9
4. I/O Circuit Types	27
5. Handling Precautions	31
5.1 Precautions for Product Design	31
5.2 Precautions for Package Mounting.....	33
5.3 Precautions for Use Environment	35
6. Handling Devices	36
7. Block Diagram	39
8. Memory Map	40
9. Pin Statuses In CPU Status	46
10. Electrical Characteristics	50
10.1 Absolute Maximum Ratings.....	50
10.2 Recommended Operating Conditions.....	52
10.3 DC Characteristics.....	55
10.4 AC Characteristics.....	67
10.4.1 Source Clock Timing.....	67
10.4.2 Internal Clock Timing	69
10.4.3 Reset Input.....	73
10.4.4 Power-on Conditions.....	74
10.4.5 Clock Output Timing.....	75
10.4.6 External Bus Interface Timing	76
10.4.6.1 Common Timing Between Read and Write	76
10.4.6.2 Read Timing.....	77
10.4.6.3 Write Timing.....	78
10.4.7 Multi-Function Serial	79
10.4.7.1 CSIO Timing (SMR:MD[2:0]=010 _B).....	79
10.4.7.2 UART (Async Serial Interface) Timing (SMR:MD[2:0]=000 _B , 001 _B).....	99
10.4.7.3 LIN Interface (v2.1) (LIN Communication Control Interface (v2.1)) Timing (SMR:MD[2:0]=011 _B)	100
10.4.7.4 I ² C Timing (SMR:MD[2:0]=100 _B)	101
10.4.8 HS-SPI Timing	103
10.4.8.1 SDR Mode Timing.....	103
10.4.8.2 DDR Mode Timing	105
10.4.9 High Current Output Slew Rate.....	107
10.5 Timer Input Timing.....	108
10.6 QPRC Timing	109
10.7 Trigger Input Timing	112
10.8 NMI Input Timing	113
10.9 Low-Voltage Detection (External Low-Voltage Detection).....	114

10.10 Low-Voltage Detection (RAM Retention Low-Voltage Detection).....	115
10.11 Low-Voltage Detection (1.2 V Power Supply Low-Voltage Detection).....	115
10.12 A/D Converter.....	117
10.12.1 Electrical Characteristics	117
10.12.2 Notes on Using A/D converters	119
10.12.3 Definition of Terms.....	120
10.13 Flash Memory.....	122
11. Ordering Information	123
12. Part Number Option	123
13. Package Dimensions	124
14. Appendix.....	125
14.1 Application 1: JTAG tool connection.....	125
15. Major Changes	126
Document History.....	139
Sales, Solutions, and Legal Information.....	141

1. Product Lineup

The following table lists the product lineup of the S6J3120 series.

Table 3-1 Memory Size

		S6J312AHzC*	S6J3129HzC*	S6J3128HzC*
Flash	Program	1024K bytes + Small sector (8 KB x 8)	768K bytes + Small sector (8 KB x 8)	512K bytes + Small sector (8 KB x 8)
	Work	112K bytes	112K bytes	112K bytes
RAM	TCRAM	64K bytes	48K bytes	32K bytes
	System SRAM	16K bytes	16K bytes	16K bytes
	Backup RAM	8K bytes	8K bytes	8K bytes

*z: A/B

Table 3-2 SHE Option

	S6J312xHAC*	S6J312xHBC*
Security (SHE)	ON	OFF

* x: A/9/8

Table 3-3: Product Lineup

	S6J312xHzC*¹
CPU core	Coretex-R5
CMOS 55 nm technology	55 nm
Package	LEU144
Main clock	4 MHz
Built-in CR oscillator	100 kHz
	4 MHz
Maximum CPU operating frequency	128 MHz
Watchdog timer	1 channel (hardware) 1 channel (software)
Clock supervisor	YES
External power supply, low-voltage detection reset	YES
Internal power supply, low-voltage detection reset	YES
NMI request	YES
External interrupt	16 channels
DMA controller	16 channels
CAN-FD	3 channels (192 msg buffers/ch)

	S6J312xHzC*1
Multi-function serial	10 channels*2
A/D converter	12-bit (2 units) Unit 0 x 22 channels Unit 1 x 28 channels
Free-run timer	6 channels
Input capture	12 channels
Output compare	12 channels
Base timer (16-bit)	30 channels
Real time clock (RTC)	1 channel
CR clock calibration	YES
CRC generation	YES
Low-power consumption mode	Standby function Power-off function Partial wakeup function
SHE	YES
External BUS I/F	Address : 24-bit Data :16-bit
Reload Timer(32bit)	10 channels
Quad Position & Revolution Counter	2 channels
DDR HS-SPI	YES
LCD Controller	32seg x 4com(Static drive 8seg x 1com)
Sound Generator	3 channels
Stepping Motor Controller	4 channels
General-purpose port GPIO	112 channels
Power supply	5 V ± 10%
Operation assurance temperature (Ta)	-40 °C to +105 °C
On-chip debugger (JTAG)	YES

*1: x: A/9/8, z: A/B

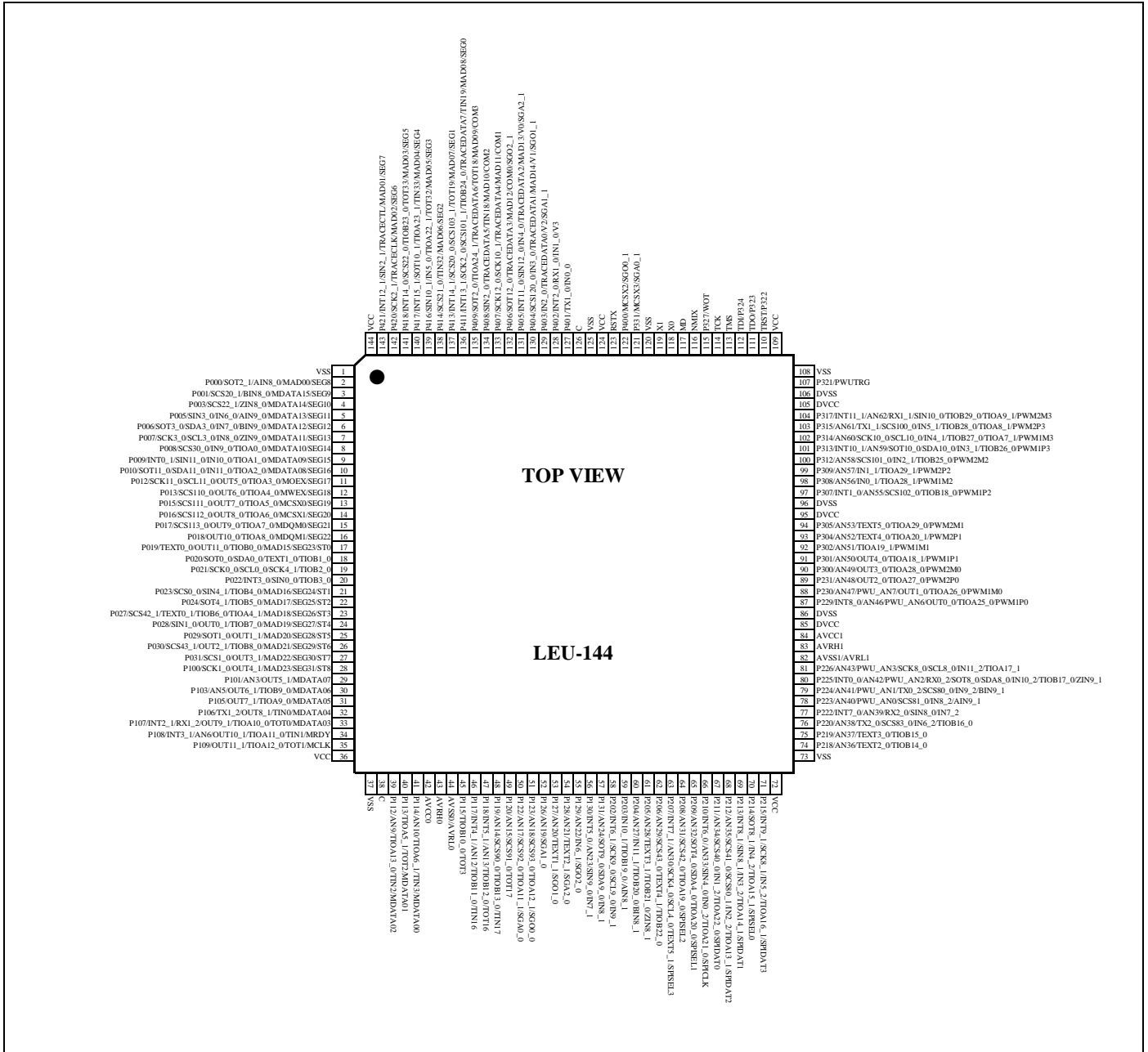
*2: I²C-UART function is not supported at Multi-function serial ch.1, ch.2, and ch.12.

2. Pin Assignment

The following figures show the pin assignment of the S6J3120 series.

Figure 4-1 Pin Assignment for S6J312xHzC*

* x: A/9/8, z: A/B



3. Pin Description

This section provides a list of the pin functions of the S6J3120 series

Table 5-1 S6J312xHzC* Pin Functions

* x: A/9/8, z: A/B

Pin No.	Pin Name	Polarity	I/O Circuit Type	Function
2	P000	-	K	General-purpose I/O port
	SOT2_1	-		Multi-function serial ch.2 serial data output pin (1)
	AIN8_0	-		QPRC ch.8 AIN input pin (0)
	MAD00	-		External bus interface address bit0 output pin
	SEG8	-		LCDC segment 8 (Duty) output pin
3	P001	-	K	General-purpose I/O port
	SCS20_1	-		Multi-function serial ch.2 serial chip select 0 I/O pin (1)
	BIN8_0	-		QPRC ch.8 BIN input pin (0)
	MDATA15	-		External bus interface data bus bit15 I/O pin
	SEG9	-		LCDC segment 9 (Duty) output pin
4	P003	-	K	General-purpose I/O port
	SCS22_1	-		Multi-function serial ch.2 serial chip select 2 output pin (1)
	ZIN8_0	-		QPRC ch.8 ZIN input pin (0)
	MDATA14	-		External bus interface data bus bit14 I/O pin
	SEG10	-		LCDC segment 10 (Duty) output pin
5	P005	-	K	General-purpose I/O port
	SIN3_0	-		Multi-function serial ch.3 serial data input pin (0)
	IN6_0	-		Input capture ch.6 input pin (0)
	AIN9_0	-		QPRC ch.9 AIN input pin (0)
	MDATA13	-		External bus interface data bus bit13 I/O pin
	SEG11	-		LCDC segment 11 (Duty) output pin
6	P006	-	K	General-purpose I/O port
	SOT3_0	-		Multi-function serial ch.3 serial data output pin (0)
	SDA3_0	-		I ² C bus ch.3 serial data I/O pin
	IN7_0	-		Input capture ch.7 input pin (0)
	BIN9_0	-		QPRC ch.9 BIN input pin (0)
	MDATA12	-		External bus interface data bus bit12 I/O pin
	SEG12	-		LCDC segment 12 (Duty) output pin
7	P007	-	K	General-purpose I/O port
	SCK3_0	-		Multi-function serial ch.3 clock I/O pin (0)
	SCL3_0	-		I ² C bus ch.3 serial clock I/O pin
	IN8_0	-		Input capture ch.8 input pin (0)
	ZIN9_0	-		QPRC ch.9 ZIN input pin (0)
	MDATA11	-		External bus interface data bus bit11 I/O pin
	SEG13	-		LCDC segment 13 (Duty) output pin

Pin No.	Pin Name	Polarity	I/O Circuit Type	Function
8	P008	-	K	General-purpose I/O port
	SCS30_0	-		Multi-function serial ch.3 serial chip select 0 I/O pin (0)
	IN9_0	-		Input capture ch.9 input pin (0)
	TIOA0_0	-		Base timer ch.0 TIOA output pin (0)
	MDATA10	-		External bus interface data bus bit10 I/O pin
	SEG14	-		LCDC segment 14 (Duty) output pin
9	P009	-	K	General-purpose I/O port
	INT0_1	-		INT0 external interrupt input pin (1)
	SIN11_0	-		Multi-function serial ch.11 serial data input pin (0)
	IN10_0	-		Input capture ch.10 input pin (0)
	TIOA1_0	-		Base timer ch.1 TIOA I/O pin (0)
	MDATA09	-		External bus interface data bus bit9 I/O pin
SEG15	-	LCDC segment 15 (Duty) output pin		
10	P010	-	K	General-purpose I/O port
	SOT11_0	-		Multi-function serial ch.11 serial data output pin (0)
	SDA11_0	-		I ² C bus ch.11 serial data I/O pin
	IN11_0	-		Input capture ch.11 input pin (0)
	TIOA2_0	-		Base timer ch.2 TIOA output pin (0)
	MDATA08	-		External bus interface data bus bit8 I/O pin
SEG16	-	LCDC segment 16 (Duty) output pin		
11	P012	-	K	General-purpose I/O port
	SCK11_0	-		Multi-function serial ch.11 clock I/O pin (0)
	SCL11_0	-		I ² C bus ch.11 serial clock I/O pin
	OUT5_0	-		Output compare ch.5 output pin (0)
	TIOA3_0	-		Base timer ch.3 TIOA I/O pin (0)
	MOEX	-		External bus interface read enable output pin
SEG17	-	LCDC segment 17 (Duty) output pin		
12	P013	-	K	General-purpose I/O port
	SCS110_0	-		Multi-function serial ch.11 serial chip select 0 I/O pin (0)
	OUT6_0	-		Output compare ch.6 output pin (0)
	TIOA4_0	-		Base timer ch.4 TIOA output pin (0)
	MWEX	-		External bus interface write enable output pin
SEG18	-	LCDC segment 18 (Duty) output pin		
13	P015	-	K	General-purpose I/O port
	SCS111_0	-		Multi-function serial ch.11 serial chip select 1 output pin (0)
	OUT7_0	-		Output compare ch.7 output pin (0)
	TIOA5_0	-		Base timer ch.5 TIOA I/O pin (0)
	MCSX0	-		External bus interface chip select 0 output pin
SEG19	-	LCDC segment 19 (Duty) output pin		

Pin No.	Pin Name	Polarity	I/O Circuit Type	Function
14	P016	-	K	General-purpose I/O port
	SCS112_0	-		Multi-function serial ch.11 serial chip select 2 output pin (0)
	OUT8_0	-		Output compare ch.8 output pin (0)
	TIOA6_0	-		Base timer ch.6 TIOA output pin (0)
	MCSX1	-		External bus interface chip select 1 output pin
	SEG20	-		LCDC segment 20 (Duty) output pin
15	P017	-	K	General-purpose I/O port
	SCS113_0	-		Multi-function serial ch.11 serial chip select 3 output pin (0)
	OUT9_0	-		Output compare ch.9 output pin (0)
	TIOA7_0	-		Base timer ch.7 TIOA I/O pin (0)
	MDQM0	-		External bus interface byte mask 0 output pin
	SEG21	-		LCDC segment 21 (Duty) output pin
16	P018	-	K	General-purpose I/O port
	OUT10_0	-		Output compare ch.10 output pin (0)
	TIOA8_0	-		Base timer ch.8 TIOA output pin (0)
	MDQM1	-		External bus interface byte mask 1 output pin
SEG22	-	LCDC segment 22 (Duty) output pin		
17	P019	-	K	General-purpose I/O port
	TEXT0_0	-		Free-run timer 0 clock input pin (0)
	OUT11_0	-		Output compare ch.11 output pin (0)
	TIOB0_0	-		Base timer ch.0 TIOB input pin (0)
	MAD15	-		External bus interface address bit15 output pin
	SEG23/ST0	-		LCDC segment 23 (Duty) / segment 0 (Static) output pin
18	P020	-	Q	General-purpose I/O port
	SOT0_0	-		Multi-function serial ch.0 serial data output pin (0)
	SDA0_0	-		I ² C bus ch.0 serial data I/O pin
	TEXT1_0	-		Free-run timer 1 clock input pin (0)
	TIOB1_0	-		Base timer ch.1 TIOB input pin (0)
19	P021	-	Q	General-purpose I/O port
	SCK0_0	-		Multi-function serial ch.0 clock I/O pin (0)
	SCL0_0	-		I ² C bus ch.0 serial clock I/O pin
	SCK4_1	-		Multi-function serial ch.4 clock I/O pin (1)
	TIOB2_0	-		Base timer ch.2 TIOB input pin (0)
20	P022	-	Q	General-purpose I/O port
	INT3_0	-		INT3 external interrupt input pin (0)
	SIN0_0	-		Multi-function serial ch.0 serial data input pin (0)
	TIOB3_0	-		Base timer ch.3 TIOB input pin (0)

Pin No.	Pin Name	Polarity	I/O Circuit Type	Function
21	P023	-	K	General-purpose I/O port
	SCS0_0	-		Multi-function serial ch.0 serial chip select 0 I/O pin (0)
	SIN4_1	-		Multi-function serial ch.4 serial data input pin (1)
	TIOB4_0	-		Base timer ch.4 TIOB input pin (0)
	MAD16	-		External bus interface address bit16 output pin
	SEG24/ST1	-		LCDC segment 24 (Duty) / segment 1 (Static) output pin
22	P024	-	K	General-purpose I/O port
	SOT4_1	-		Multi-function serial ch.4 serial data output pin (1)
	TIOB5_0	-		Base timer ch.5 TIOB input pin (0)
	MAD17	-		External bus interface address bit17 output pin
	SEG25/ST2	-		LCDC segment 25 (Duty) / segment 2 (Static) output pin
23	P027	-	K	General-purpose I/O port
	SCS42_1	-		Multi-function serial ch.4 serial chip select 2 output pin (1)
	TEXT0_1	-		Free-run timer 0 clock input pin (1)
	TIOB6_0	-		Base timer ch.6 TIOB input pin (0)
	TIOA4_1	-		Base timer ch.4 TIOA output pin (1)
	MAD18	-		External bus interface address bit18 output pin
	SEG26/ST3	-		LCDC segment 26 (Duty) / segment 3 (Static) output pin
24	P028	-	K	General-purpose I/O port
	SIN1_0	-		Multi-function serial ch.1 serial data input pin (0)
	OUT0_1	-		Output compare ch.0 output pin (1)
	TIOB7_0	-		Base timer ch.7 TIOB input pin (0)
	MAD19	-		External bus interface address bit19 output pin
	SEG27/ST4	-		LCDC segment 27 (Duty) / segment 4 (Static) output pin
25	P029	-	K	General-purpose I/O port
	SOT1_0	-		Multi-function serial ch.1 serial data output pin (0)
	OUT1_1	-		Output compare ch.1 output pin (1)
	MAD20	-		External bus interface address bit20 output pin
	SEG28/ST5	-		LCDC segment 28 (Duty) / segment 5 (Static) output pin
26	P030	-	K	General-purpose I/O port
	SCS43_1	-		Multi-function serial ch.4 serial chip select 3 output pin (1)
	OUT2_1	-		Output compare ch.2 output pin (1)
	TIOB8_0	-		Base timer ch.8 TIOB input pin (0)
	MAD21	-		External bus interface address bit21 output pin
	SEG29/ST6	-		LCDC segment 29 (Duty) / segment 6 (Static) output pin
27	P031	-	K	General-purpose I/O port
	SCS1_0	-		Multi-function serial ch.1 serial chip select 0 I/O pin (0)
	OUT3_1	-		Output compare ch.3 output pin (1)
	MAD22	-		External bus interface address bit22 output pin
	SEG30/ST7	-		LCDC segment 30 (Duty) / segment 7 (Static) output pin

Pin No.	Pin Name	Polarity	I/O Circuit Type	Function
28	P100	-	K	General-purpose I/O port
	SCK1_0	-		Multi-function serial ch.1 clock I/O pin (0)
	OUT4_1	-		Output compare ch.4 output pin (1)
	MAD23	-		External bus interface address bit23 output pin
	SEG31/ST8	-		LCDC segment 31 (Duty) / segment 8 (Static) output pin
29	P101	-	B	General-purpose I/O port
	AN3	-		ADC analog 3 input pin
	OUT5_1	-		Output compare ch.5 output pin (1)
	MDATA07	-		External bus interface data bit7 I/O pin
30	P103	-	B	General-purpose I/O port
	AN5	-		ADC analog 5 input pin
	OUT6_1	-		Output compare ch.6 output pin (1)
	TIOB9_0	-		Base timer ch.9 TIOB input pin (0)
	MDATA06	-		External bus interface data bit6 I/O pin
31	P105	-	Q	General-purpose I/O port
	OUT7_1	-		Output compare ch.7 output pin (1)
	TIOA9_0	-		Base timer ch.9 TIOA I/O pin (0)
	MDATA05	-		External bus interface data bit5 I/O pin
32	P106	-	Q	General-purpose I/O port
	TX1_2	-		CAN transmission data 1 output pin (2)
	OUT8_1	-		Output compare ch.8 output pin (1)
	TIN0	-		Reload timer ch.0 event input pin (0)
	MDATA04	-		External bus interface data bit4 I/O pin
33	P107	-	Q	General-purpose I/O port
	INT2_1	-		INT2 external interrupt input pin (1)
	RX1_2	-		CAN reception data 1 input pin (2)
	OUT9_1	-		Output compare ch.9 output pin (1)
	TIOA10_0	-		Base timer ch.10 TIOA output pin (0)
	TOT0	-		Reload timer ch.0 output pin (0)
	MDATA03	-		External bus interface data bit3 I/O pin
34	P108	-	B	General-purpose I/O port
	INT3_1	-		INT3 external interrupt input pin (1)
	AN6	-		ADC analog 6 input pin
	OUT10_1	-		Output compare ch.10 output pin (1)
	TIOA11_0	-		Base timer ch.11 TIOA I/O pin (0)
	TIN1	-		Reload timer ch.1 event input pin (0)
	MRDY	-		External bus interface ready input pin

Pin No.	Pin Name	Polarity	I/O Circuit Type	Function
35	P109	-	Q	General-purpose I/O port
	OUT11_1	-		Output compare ch.11 output pin (1)
	TIOA12_0	-		Base timer ch.12 TIOA output pin (0)
	TOT1	-		Reload timer ch.1 output pin (0)
	MCLK	-		External bus interface system clock output pin
39	P112	-	B	General-purpose I/O port
	AN9	-		ADC analog 9 input pin
	TIOA13_0	-		Base timer ch.13 TIOA I/O pin (0)
	TIN2	-		Reload timer ch.2 event input pin (0)
40	P113	-	Q	General-purpose I/O port
	TIOA5_1	-		Base timer ch.5 TIOA I/O pin (1)
	TOT2	-		Reload timer ch.2 output pin (0)
	MDATA01	-		External bus interface data bit1 I/O pin
41	P114	-	B	General-purpose I/O port
	AN10	-		ADC analog 10 input pin
	TIOA6_1	-		Base timer ch.6 TIOA output pin (1)
	TIN3	-		Reload timer ch.3 event input pin (0)
45	P115	-	Q	General-purpose I/O port
	TIOB10_0	-		Base timer ch.10 TIOB input pin (0)
	TOT3	-		Reload timer ch.3 output pin (0)
46	P117	-	B	General-purpose I/O port
	INT4_1	-		INT4 external interrupt input pin (1)
	AN12	-		ADC analog 12 input pin
	TIOB11_0	-		Base timer ch.11 TIOB input pin (0)
47	P118	-	B	General-purpose I/O port
	INT5_1	-		INT5 external interrupt input pin (1)
	AN13	-		ADC analog 13 input pin
	TIOB12_0	-		Base timer ch.12 TIOB input pin (0)
48	P119	-	B	General-purpose I/O port
	AN14	-		ADC analog 14 input pin
	SCS90_0	-		Multi-function serial ch.9 serial chip select 0 I/O pin (0)
	TIOB13_0	-		Base timer ch.13 TIOB input pin (0)
	TIN17	-		Reload timer ch.17 event input pin (0)

Pin No.	Pin Name	Polarity	I/O Circuit Type	Function
49	P120 AN15 SCS91_0 TOT17	- - - -	B	General-purpose I/O port ADC analog 15 input pin Multi-function serial ch.9 serial chip select 1 output pin (0) Reload timer ch.17 output pin (0)
50	P122 AN17 SCS92_0 TIOA11_1 SGA0_0	- - - - -	B	General-purpose I/O port ADC analog 17 input pin Multi-function serial ch.9 serial chip select 2 output pin (0) Base timer ch.11 TIOA I/O pin (1) Sound generator ch.0 SGA output pin (0)
51	P123 AN18 SCS93_0 TIOA12_1 SGO0_0	- - - - -	B	General-purpose I/O port ADC analog 18 input pin Multi-function serial ch.9 serial chip select 3 output pin (0) Base timer ch.12 TIOA output pin (1) Sound generator ch.0 SGO output pin (0)
52	P126 AN19 SGA1_0	- - -	B	General-purpose I/O port ADC analog 19 input pin Sound generator ch.1 SGA output pin (0)
53	P127 AN20 TEXT1_1 SGO1_0	- - - -	B	General-purpose I/O port ADC analog 20 input pin Free-run timer 1 clock input pin (1) Sound generator ch.1 SGO output pin (0)
54	P128 AN21 TEXT2_1 SGA2_0	- - - -	B	General-purpose I/O port ADC analog 21 input pin Free-run timer 2 clock input pin (1) Sound generator ch.2 SGA output pin (0)
55	P129 AN22 IN6_1 SGO2_0	- - - -	B	General-purpose I/O port ADC analog 22 input pin Input capture ch.6 input pin (1) Sound generator ch.2 SGO output pin (0)
56	P130 INT5_0 AN23 SIN9_0 IN7_1	- - - - -	B	General-purpose I/O port INT5 external interrupt input pin (0) ADC analog 23 input pin Multi-function serial ch.9 serial data input pin (0) Input capture ch.7 input pin (1)
57	P131 AN24 SOT9_0 SDA9_0 IN8_1	- - - - -	B	General-purpose I/O port ADC analog 24 input pin Multi-function serial ch.9 serial data output pin (0) I ² C bus ch.9 serial data I/O pin Input capture ch.8 input pin (1)

Pin No.	Pin Name	Polarity	I/O Circuit Type	Function
58	P202	-	Q	General-purpose I/O port
	INT6_1	-		INT6 external interrupt input pin (1)
	SCK9_0	-		Multi-function serial ch.9 clock I/O pin (0)
	SCL9_0	-		I ² C bus ch.9 serial clock I/O pin
	IN9_1	-		Input capture ch.9 input pin (1)
59	P203	-	Q	General-purpose I/O port
	IN10_1	-		Input capture ch.10 input pin (1)
	TIOB19_0	-		Base timer ch.19 TIOB input pin (0)
	AIN8_1	-		QPRC ch.8 AIN input pin (1)
60	P204	-	B	General-purpose I/O port
	AN27	-		ADC analog 27 input pin
	IN11_1	-		Input capture ch.11 input pin (1)
	TIOB20_0	-		Base timer ch.20 TIOB input pin (0)
	BIN8_1	-		QPRC ch.8 BIN input pin (1)
61	P205	-	B	General-purpose I/O port
	AN28	-		ADC analog 28 input pin
	TEXT3_1	-		Free-run timer 3 clock input pin (1)
	TIOB21_0	-		Base timer ch.21 TIOB input pin (0)
	ZIN8_1	-		QPRC ch.8 ZIN input pin (1)
62	P206	-	B	General-purpose I/O port
	AN29	-		ADC analog 29 input pin
	SCS43_0	-		Multi-function serial ch.4 serial chip select 3 output pin (0)
	TEXT4_1	-		Free-run timer 4 clock input pin (1)
	TIOB22_0	-		Base timer ch.22 TIOB input pin (0)
63	P207	-	B	General-purpose I/O port
	INT7_1	-		INT7 external interrupt input pin (1)
	AN30	-		ADC analog 30 input pin
	SCK4_0	-		Multi-function serial ch.4 clock I/O pin (0)
	SCL4_0	-		I ² C bus ch.4 serial clock I/O pin
	TEXT5_1	-		Free-run timer 5 clock input pin (1)
	SPISEL3	-		HS-SPI slave select 3 output pin
64	P208	-	B	General-purpose I/O port
	AN31	-		ADC analog 31 input pin
	SCS42_0	-		Multi-function serial ch.4 serial chip select 2 output pin (0)
	TIOA19_0	-		Base timer ch.19 TIOA I/O pin (0)
	SPISEL2	-		HS-SPI slave select 2 output pin

Pin No.	Pin Name	Polarity	I/O Circuit Type	Function
65	P209	-	B	General-purpose I/O port
	AN32	-		ADC analog 32 input pin
	SOT4_0	-		Multi-function serial ch.4 serial data output pin (0)
	SDA4_0	-		I ² C bus ch.4 serial data I/O pin
	TIOA20_0	-		Base timer ch.20 TIOA output pin (0)
	SPISEL1	-		HS-SPI slave select 1 output pin
66	P210	-	B	General-purpose I/O port
	INT6_0	-		INT6 external interrupt input pin (0)
	AN33	-		ADC analog 33 input pin
	SIN4_0	-		Multi-function serial ch.4 serial data input pin (0)
	IN0_2	-		Input capture ch.0 input pin (2)
	TIOA21_0	-		Base timer ch.21 TIOA I/O pin (0)
	SPICLK	-		HS-SPI clock output pin
67	P211	-	B	General-purpose I/O port
	AN34	-		ADC analog 34 input pin
	SCS40_0	-		Multi-function serial ch.4 serial chip select 0 I/O pin (0)
	IN1_2	-		Input capture ch.1 input pin (2)
	TIOA22_0	-		Base timer ch.22 TIOA output pin (0)
	SPIDAT0	-		HS-SPI data 0 I/O pin
68	P212	-	B	General-purpose I/O port
	AN35	-		ADC analog 35 input pin
	SCS41_0	-		Multi-function serial ch.4 serial chip select 1 output pin (0)
	SCS80_1	-		Multi-function serial ch.8 serial chip select 0 I/O pin (1)
	IN2_2	-		Input capture ch.2 input pin (2)
	TIOA13_1	-		Base timer ch.13 TIOA I/O pin (1)
	SPIDAT2	-		HS-SPI data 2 I/O pin
69	P213	-	Q	General-purpose I/O port
	INT8_1	-		INT8 external interrupt input pin (1)
	SIN8_1	-		Multi-function serial ch.8 serial data input pin (1)
	IN3_2	-		Input capture ch.3 input pin (2)
	TIOA14_1	-		Base timer ch.14 TIOA output pin (1)
	SPIDAT1	-		HS-SPI data 1 I/O pin
70	P214	-	Q	General-purpose I/O port
	SOT8_1	-		Multi-function serial ch.8 serial data output pin (1)
	IN4_2	-		Input capture ch.4 input pin (2)
	TIOA15_1	-		Base timer ch.15 TIOA I/O pin (1)
	SPISEL0	-		HS-SPI slave select 0 output pin

Pin No.	Pin Name	Polarity	I/O Circuit Type	Function
71	P215	-	Q	General-purpose I/O port
	INT9_1	-		INT9 external interrupt input pin (1)
	SCK8_1	-		Multi-function serial ch.8 clock I/O pin (1)
	IN5_2	-		Input capture ch.5 input pin (2)
	TIOA16_1	-		Base timer ch.16 TIOA output pin (1)
	SPIDAT3	-		HS-SPI data 3 I/O pin
74	P218	-	B	General-purpose I/O port
	AN36	-		ADC analog 36 input pin
	TEXT2_0	-		Free-run timer 2 clock input pin (0)
	TIOB14_0	-		Base timer ch.14 TIOB input pin (0)
75	P219	-	B	General-purpose I/O port
	AN37	-		ADC analog 37 input pin
	TEXT3_0	-		Free-run timer 3 clock input pin (0)
	TIOB15_0	-		Base timer ch.15 TIOB input pin (0)
76	P220	-	B	General-purpose I/O port
	AN38	-		ADC analog 38 input pin
	TX2_0	-		CAN transmission data 2 output pin (0)
	SCS83_0	-		Multi-function serial ch.8 serial chip select 3 output pin (0)
	IN6_2	-		Input capture ch.6 input pin (2)
	TIOB16_0	-		Base timer ch.16 TIOB input pin (0)
77	P222	-	B	General-purpose I/O port
	INT7_0	-		INT7 external interrupt input pin (0)
	AN39	-		ADC analog 39 input pin
	RX2_0	-		CAN reception data 2 input pin (0)
	SIN8_0	-		Multi-function serial ch.8 serial data input pin (0)
	IN7_2	-		Input capture ch.7 input pin (2)
78	P223	-	B	General-purpose I/O port
	AN40	-		ADC analog 40 input pin
	PWU_AN0	-		Partial wakeup ADC analog 0 input pin
	SCS81_0	-		Multi-function serial ch.8 serial chip select 1 output pin (0)
	IN8_2	-		Input capture ch.8 input pin (2)
	AIN9_1	-		QPRC ch.9 AIN input pin (1)
79	P224	-	B	General-purpose I/O port
	AN41	-		ADC analog 41 input pin
	PWU_AN1	-		Partial wakeup ADC analog 1 input pin
	TX0_2	-		CAN transmission data 0 output pin (2)
	SCS80_0	-		Multi-function serial ch.8 serial chip select 0 I/O pin (0)
	IN9_2	-		Input capture ch.9 input pin (2)
	BIN9_1	-		QPRC ch.9 BIN input pin (1)

Pin No.	Pin Name	Polarity	I/O Circuit Type	Function
80	P225	-	B	General-purpose I/O port
	INT0_0	-		INT0 external interrupt input pin (0)
	PWU_AN2	-		Partial wakeup ADC analog 2 input pin
	AN42	-		ADC analog 42 input pin
	RX0_2	-		CAN reception data 0 input pin (2)
	SOT8_0	-		Multi-function serial ch.8 serial data output pin (0)
	SDA8_0	-		I ² C bus ch.8 serial data I/O pin
	IN10_2	-		Input capture ch.10 input pin (2)
	TIOB17_0	-		Base timer ch.17 TIOB input pin (0)
	ZIN9_1	-		QPRC ch.9 ZIN input pin (1)
81	P226	-	B	General-purpose I/O port
	AN43	-		ADC analog 43 input pin
	PWU_AN3	-		Partial wakeup ADC analog 3 input pin
	SCK8_0	-		Multi-function serial ch.8 clock I/O pin (0)
	SCL8_0	-		I ² C bus ch.8 serial clock I/O pin
	IN11_2	-		Input capture ch.11 input pin (2)
	TIOA17_1	-		Base timer ch.17 TIOA I/O pin (1)
87	P229	-	M	General-purpose I/O port
	INT8_0	-		INT8 external interrupt input pin (0)
	AN46	-		ADC analog 46 input pin
	PWU_AN6	-		Partial wakeup ADC analog 6 input pin
	OUT0_0	-		Output compare ch.0 output pin (0)
	TIOA25_0	-		Base timer ch.25 TIOA I/O pin (0)
88	P230	-	M	General-purpose I/O port
	AN47	-		ADC analog 47 input pin
	PWU_AN7	-		Partial wakeup ADC analog 7 input pin
	OUT1_0	-		Output compare ch.1 output pin (0)
	TIOA26_0	-		Base timer ch.26 TIOA output pin (0)
	PWM1M0	-		SMC ch.0 (M1) output pin
89	P231	-	M	General-purpose I/O port
	AN48	-		ADC analog 48 input pin
	OUT2_0	-		Output compare ch.2 output pin (0)
	TIOA27_0	-		Base timer ch.27 TIOA I/O pin (0)
90	P300	-	M	General-purpose I/O port
	AN49	-		ADC analog 49 input pin
	OUT3_0	-		Output compare ch.3 output pin (0)
	TIOA28_0	-		Base timer ch.28 TIOA output pin (0)
	PWM2M0	-		SMC ch.0 (M2) output pin

Pin No.	Pin Name	Polarity	I/O Circuit Type	Function
91	P301	-	M	General-purpose I/O port
	AN50	-		ADC analog 50 input pin
	OUT4_0	-		Output compare ch.4 output pin (0)
	TIOA18_1	-		Base timer ch.18 TIOA output pin (1)
	PWM1P1	-		SMC ch.1 (P1) output pin
92	P302	-	M	General-purpose I/O port
	AN51	-		ADC analog 51 input pin
	TIOA19_1	-		Base timer ch.19 TIOA I/O pin (1)
	PWM1M1	-		SMC ch.1 (M1) output pin
93	P304	-	M	General-purpose I/O port
	AN52	-		ADC analog 52 input pin
	TEXT4_0	-		Free-run timer 4 clock input pin (0)
	TIOA20_1	-		Base timer ch.20 TIOA output pin (1)
	PWM2P1	-		SMC ch.1 (P2) output pin
94	P305	-	M	General-purpose I/O port
	AN53	-		ADC analog 53 input pin
	TEXT5_0	-		Free-run timer 5 clock input pin (0)
	TIOA29_0	-		Base timer ch.29 TIOA I/O pin (0)
	PWM2M1	-		SMC ch.1 (M2) output pin
97	P307	-	M	General-purpose I/O port
	INT1_0	-		INT1 external interrupt input pin (0)
	AN55	-		ADC analog 55 input pin
	SCS102_0	-		Multi-function serial ch.10 serial chip select 2 output pin (0)
	TIOB18_0	-		Base timer ch.18 TIOB input pin (0)
	PWM1P2	-		SMC ch.2 (P1) output pin
98	P308	-	M	General-purpose I/O port
	AN56	-		ADC analog 56 input pin
	IN0_1	-		Input capture ch.0 input pin (1)
	TIOA28_1	-		Base timer ch.28 TIOA output pin (1)
99	P309	-	M	General-purpose I/O port
	AN57	-		ADC analog 57 input pin
	IN1_1	-		Input capture ch.1 input pin (1)
	TIOA29_1	-		Base timer ch.29 TIOA I/O pin (1)
	PWM2P2	-		SMC ch.2 (P2) output pin

Pin No.	Pin Name	Polarity	I/O Circuit Type	Function
100	P312	-	M	General-purpose I/O port
	AN58	-		ADC analog 58 input pin
	SCS101_0	-		Multi-function serial ch.10 serial chip select 1 output pin (0)
	IN2_1	-		Input capture ch.2 input pin (1)
	TIOB25_0	-		Base timer ch.25 TIOB input pin (0)
	PWM2M2	-		SMC ch.2 (M2) output pin
101	P313	-	M	General-purpose I/O port
	INT10_1	-		INT10 external interrupt input pin (1)
	AN59	-		ADC analog 59 input pin
	SOT10_0	-		Multi-function serial ch.10 serial data output pin (0)
	SDA10_0	-		I ² C bus ch.10 serial data I/O pin
	IN3_1	-		Input capture ch.3 input pin (1)
	TIOB26_0	-		Base timer ch.26 TIOB input pin (0)
PWM1P3	-	SMC ch.3 (P1) output pin		
102	P314	-	M	General-purpose I/O port
	AN60	-		ADC analog 60 input pin
	SCK10_0	-		Multi-function serial ch.10 clock I/O pin (0)
	SCL10_0	-		I ² C bus ch.10 serial clock I/O pin
	IN4_1	-		Input capture ch.4 input pin (1)
	TIOB27_0	-		Base timer ch.27 TIOB input pin (0)
	TIOA7_1	-		Base timer ch.7 TIOA I/O pin (1)
PWM1M3	-	SMC ch.3 (M1) output pin		
103	P315	-	M	General-purpose I/O port
	AN61	-		ADC analog 61 input pin
	TX1_1	-		CAN transmission data 1 output pin (1)
	SCS100_0	-		Multi-function serial ch.10 serial chip select 0 I/O pin (0)
	IN5_1	-		Input capture ch.5 input pin (1)
	TIOB28_0	-		Base timer ch.28 TIOB input pin (0)
	TIOA8_1	-		Base timer ch.8 TIOA output pin (1)
PWM2P3	-	SMC ch.3 (P2) output pin		
104	P317	-	M	General-purpose I/O port
	INT11_1	-		INT11 external interrupt input pin (1)
	AN62	-		ADC analog 62 input pin
	RX1_1	-		CAN reception data 1 input pin (1)
	SIN10_0	-		Multi-function serial ch.10 serial data input pin (0)
	TIOB29_0	-		Base timer ch.29 TIOB input pin (0)
	TIOA9_1	-		Base timer ch.9 TIOA I/O pin (1)
PWM2M3	-	SMC ch.3 (M2) output pin		
107	P321	-	R	General-purpose output port
	PWUTRG	-		Partial wakeup trigger output pin

Pin No.	Pin Name	Polarity	I/O Circuit Type	Function
110	TRST	N	J	JTAG test reset input pin
	P322	-		General-purpose output port
111	TDO	-	I	JTAG test data output pin
	P323	-		General-purpose output port
112	TDI	-	D	JTAG test data input pin
	P324	-		General-purpose output port
113	TMS	-	E	JTAG test mode state input pin
114	TCK	-	E	JTAG test clock input pin
115	P327	-	Q	General-purpose I/O port
	WOT	-		RTC output pin
116	NMIX	-	F	Non-maskable interrupt input pin
117	MD	-	C	Mode pin
118	X0	-	G	Main clock oscillation input pin
119	X1	-	G	Main clock oscillation output pin
121	P331	-	Q	General-purpose I/O port
	MCSX3	-		External bus interface chip select 3 output pin
	SGA0_1	-		Sound generator ch.0 SGA output pin (1)
122	P400	-	Q	General-purpose I/O port
	MCSX2	-		External bus interface chip select 2 output pin
	SGO0_1	-		Sound generator ch.0 SGO output pin (1)
123	RSTX	N	F	External reset input pin
127	P401	-	Q	General-purpose I/O port
	TX1_0	-		CAN transmission data 1 output pin (0)
128	IN0_0	-	L	Input capture ch.0 input pin (0)
	P402	-		General-purpose I/O port (Input only. No output.)
	INT2_0	-		INT2 external interrupt input pin (0)
	RX1_0	-		CAN reception data 1 input pin (0)
	IN1_0	-		Input capture ch.1 input pin (0)
129	V3	-	B	LCDC reference voltage V3 input pin
	P403	-		General-purpose I/O port
	IN2_0	-		Input capture ch.2 input pin (0)
	TRACEDATA0	-		Trace data 0 output pin
	V2	-		LCDC reference voltage V2 input pin
SGA1_1	-	Sound generator ch.1 SGA output pin (1)		

Pin No.	Pin Name	Polarity	I/O Circuit Type	Function
130	P404	-	B	General-purpose I/O port
	SCS120_0	-		Multi-function serial ch.12 serial chip select 0 I/O pin (0)
	IN3_0	-		Input capture ch.3 input pin (0)
	TRACEDATA1	-		Trace data 1 output pin
	MAD14	-		External bus interface address bit14 output pin
	V1	-		LCDC reference voltage V1 input pin
	SGO1_1	-		Sound generator ch.1 SGO output pin (1)
131	P405	-	B	General-purpose I/O port
	INT11_0	-		INT11 external interrupt input pin (0)
	SIN12_0	-		Multi-function serial ch.12 serial data input pin (0)
	IN4_0	-		Input capture ch.4 input pin (0)
	TRACEDATA2	-		Trace data 2 output pin
	MAD13	-		External bus interface address bit13 output pin
	V0	-		LCDC reference voltage V0 input pin
SGA2_1	-	Sound generator ch.2 SGA output pin (1)		
132	P406	-	K	General-purpose I/O port
	SOT12_0	-		Multi-function serial ch.12 serial data output pin (0)
	TRACEDATA3	-		Trace data 3 output pin
	MAD12	-		External bus interface address bit12 output pin
	COM0	-		LCDC segment(duty) common 0 output pin
	SGO2_1	-		Sound generator ch.2 SGO output pin (1)
133	P407	-	K	General-purpose I/O port
	SCK12_0	-		Multi-function serial ch.12 clock I/O pin (0)
	SCK10_1	-		Multi-function serial ch.10 clock I/O pin (1)
	TRACEDATA4	-		Trace data 4 output pin
	MAD11	-		External bus interface address bit11 output pin
COM1	-	LCDC segment(duty) common 1 output pin		
134	P408	-	K	General-purpose I/O port
	SIN2_0	-		Multi-function serial ch.2 serial data input pin (0)
	TRACEDATA5	-		Trace data 5 output pin
	TIN18	-		Reload timer ch.18 event input pin (0)
	MAD10	-		External bus interface address bit10 output pin
COM2	-	LCDC segment(duty) common 2 output pin		
135	P409	-	K	General-purpose I/O port
	SOT2_0	-		Multi-function serial ch.2 serial data output pin (0)
	TIOA24_1	-		Base timer ch.24 TIOA output pin (1)
	TRACEDATA6	-		Trace data 6 output pin
	TOT18	-		Reload timer ch.18 output pin (0)
	MAD09	-		External bus interface address bit9 output pin
	COM3	-		LCDC segment(duty) common 3 output pin

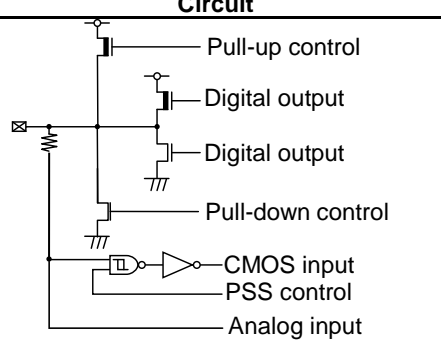
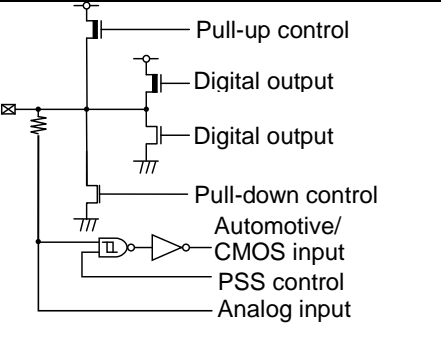
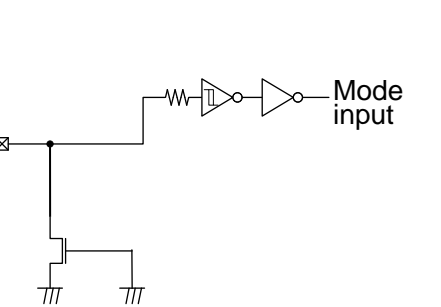
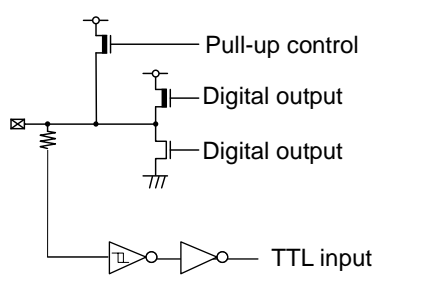
Pin No.	Pin Name	Polarity	I/O Circuit Type	Function
136	P411	-	K	General-purpose I/O port
	INT13_1	-		INT13 external interrupt input pin (1)
	SCK2_0	-		Multi-function serial ch.2 clock I/O pin (0)
	SCS101_1	-		Multi-function serial ch.10 serial chip select 1 output pin (1)
	TIOB24_0	-		Base timer ch.24 TIOB input pin (0)
	TRACEDATA7	-		Trace data 7 output pin
	TIN19	-		Reload timer ch.19 event input pin (0)
	MAD08	-		External bus interface address bit8 output pin
SEG0	-	LCDC segment 0 (Duty) output pin		
137	P413	-	K	General-purpose I/O port
	INT14_1	-		INT14 external interrupt input pin (1)
	SCS20_0	-		Multi-function serial ch.2 serial chip select 0 I/O pin (0)
	SCS103_1	-		Multi-function serial ch.10 serial chip select 3 output pin (1)
	TOT19	-		Reload timer ch.19 output pin (0)
	MAD07	-		External bus interface address bit7 output pin
SEG1	-	LCDC segment 1 (Duty) output pin		
138	P414	-	K	General-purpose I/O port
	SCS21_0	-		Multi-function serial ch.2 serial chip select 1 output pin (0)
	TIN32	-		Reload timer ch.32 event input pin (0)
	MAD06	-		External bus interface address bit6 output pin
SEG2	-	LCDC segment 2 (Duty) output pin		
139	P416	-	K	General-purpose I/O port
	SIN10_1	-		Multi-function serial ch.10 serial data input pin (1)
	IN5_0	-		Input capture ch.5 input pin (0)
	TIOA22_1	-		Base timer ch.22 TIOA output pin (1)
	TOT32	-		Reload timer ch.32 output pin (0)
	MAD05	-		External bus interface address bit5 output pin
SEG3	-	LCDC segment 3 (Duty) output pin		
140	P417	-	K	General-purpose I/O port
	INT15_1	-		INT15 external interrupt input pin (1)
	SOT10_1	-		Multi-function serial ch.10 serial data output pin (1)
	TIOA23_1	-		Base timer ch.23 TIOA I/O pin (1)
	TIN33	-		Reload timer ch.33 event input pin (0)
	MAD04	-		External bus interface address bit4 output pin
SEG4	-	LCDC segment 4 (Duty) output pin		

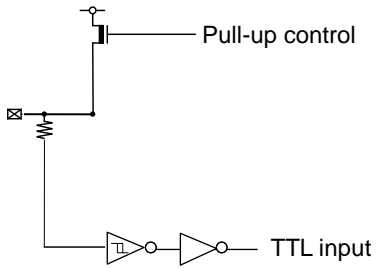
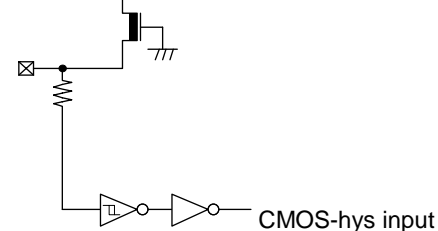
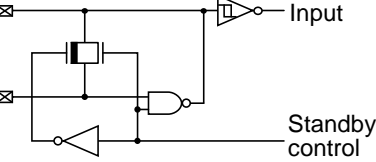
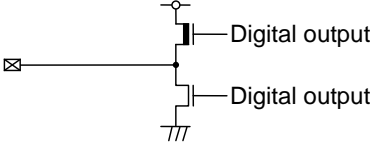
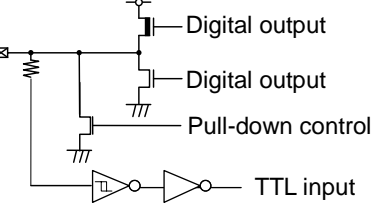
Pin No.	Pin Name	Polarity	I/O Circuit Type	Function
141	P418	-	K	General-purpose I/O port
	INT14_0	-		INT14 external interrupt input pin (0)
	SCS22_0	-		Multi-function serial ch.2 serial chip select 2 output pin (0)
	TIOB23_0	-		Base timer ch.23 TIOB input pin (0)
	TOT33	-		Reload timer ch.33 output pin (0)
	MAD03	-		External bus interface address bit3 output pin
	SEG5	-		LCDC segment 5 (Duty) output pin
142	P420	-	K	General-purpose I/O port
	SCK2_1	-		Multi-function serial ch.2 clock I/O pin (1)
	TRACECLK	-		Trace clock
	MAD02	-		External bus interface address bit2 output pin
	SEG6	-		LCDC segment 6 (Duty) output pin
143	P421	-	K	General-purpose I/O port
	INT12_1	-		INT12 external interrupt input pin (1)
	SIN2_1	-		Multi-function serial ch.2 serial data input pin (1)
	TRACECTL	-		Trace control
	MAD01	-		External bus interface address bit1 output pin
	SEG7	-		LCDC segment 7 (Duty) output pin
42	AVCC0	-	-	Analog power supply pin for AD converter unit 0
84	AVCC1	-	-	Analog power supply pin for AD converter unit 1
43	AVRH0	-	-	Upper-limit reference voltage pin for AD converter unit 0
83	AVRH1	-	-	Upper-limit reference voltage pin for AD converter unit 1
44	AVSS0	-	-	GND pin for AD converter unit 0
	AVRL0	-	-	Lower-limit reference voltage pin for AD converter unit 0
82	AVSS1	-	-	GND pin for AD converter unit 1
	AVRL1	-	-	Lower-limit reference voltage pin for AD converter unit 1
38	C	-	-	External capacity connection output pin
126				
36	VCC	-	-	Power supply pin
72				
109				
124				
144				

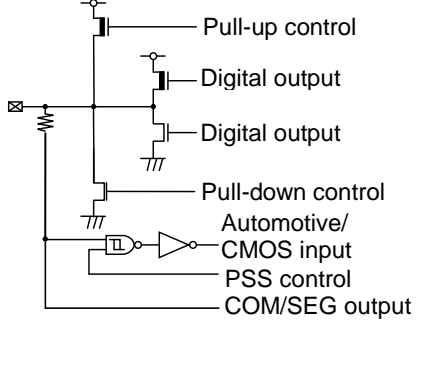
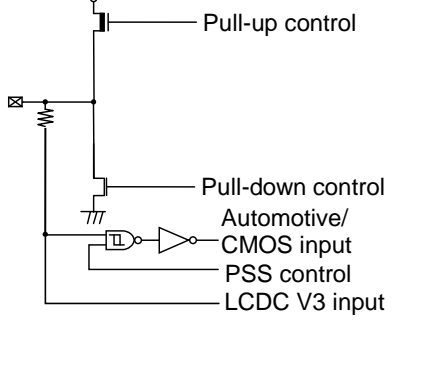
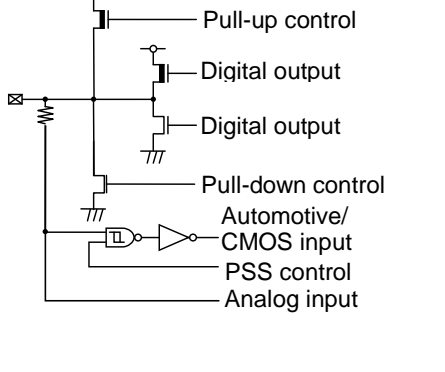
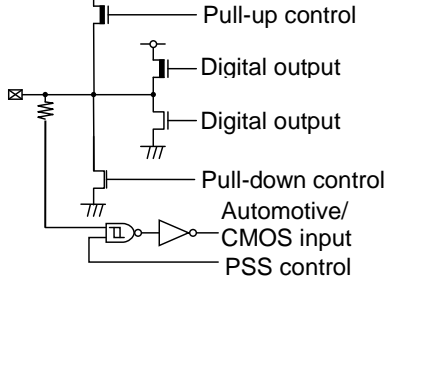
Pin No.	Pin Name	Polarity	I/O Circuit Type	Function
1	VSS	-	-	GND
37				
73				
108				
120				
125				
85	DVCC	-	-	Power Supply pin for SMC high current
95				
105				
86	DVSS	-	-	GND pin for SMC high current
96				
106				

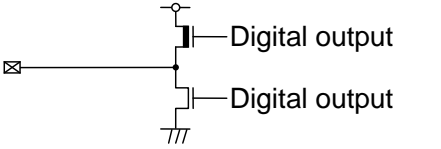
4. I/O Circuit Types

This section explains I/O circuit types.

Type	Circuit	Overview
A	 <p> Pull-up control Digital output Digital output Pull-down control CMOS input PSS control Analog input </p>	<ul style="list-style-type: none"> - General-purpose I/O port with analog input - Output of 1 mA or 2 mA selectable - 50 kΩ with pull-up resistor control - 50 kΩ with pull-down resistor control - CMOS hysteresis input
B	 <p> Pull-up control Digital output Digital output Pull-down control Automotive/ CMOS input PSS control Analog input </p>	<ul style="list-style-type: none"> - General-purpose I/O port with analog input - Output of 1 mA or 2 mA selectable - 50 kΩ with pull-up resistor control - 50 kΩ with pull-down resistor control - Automotive/CMOS hysteresis input selectable
C	 <p>Mode input</p>	<ul style="list-style-type: none"> - Mode input - CMOS hysteresis input
D	 <p> Pull-up control Digital output Digital output TTL input </p>	<ul style="list-style-type: none"> - JTAG - General-purpose output port - Output of 2 mA - 50 kΩ with pull-up resistor control - TTL input

Type	Circuit	Overview
E		<ul style="list-style-type: none"> - JTAG - 50 kΩ with pull-up resistor control - TTL input
F		<ul style="list-style-type: none"> - CMOS hysteresis input - 50 kΩ with pull-up resistor
G		<ul style="list-style-type: none"> - Main oscillation I/O
I		<ul style="list-style-type: none"> - JTAG - Output of 2 mA
J		<ul style="list-style-type: none"> - JTAG - General-purpose output port - Output of 2 mA - 50 kΩ with pull-down resistor control - TTL input

Type	Circuit	Overview
K	 <p> Pull-up control Digital output Digital output Pull-down control Automotive/ CMOS input PSS control COM/SEG output </p>	<ul style="list-style-type: none"> - General-purpose I/O port with COM/SEG output - Output of 1 mA or 2 mA selectable - 50 kΩ with pull-up resistor control - 50 kΩ with pull-down resistor control - Automotive/CMOS hysteresis input selectable
L	 <p> Pull-up control Pull-down control Automotive/ CMOS input PSS control LCDC V3 input </p>	<ul style="list-style-type: none"> - General-purpose I/O port with LCDC V3 input - 50 kΩ with pull-up resistor control - 50 kΩ with pull-down resistor control - Automotive/CMOS hysteresis input selectable
M	 <p> Pull-up control Digital output Digital output Pull-down control Automotive/ CMOS input PSS control Analog input </p>	<ul style="list-style-type: none"> - General-purpose I/O port with analog input - Output of 1 mA or 2 mA or 30mA selectable - 50 kΩ with pull-up resistor control - 50 kΩ with pull-down resistor control - Automotive/CMOS hysteresis input selectable
Q	 <p> Pull-up control Digital output Digital output Pull-down control Automotive/ CMOS input PSS control </p>	<ul style="list-style-type: none"> - General-purpose I/O port - Output of 1 mA or 2 mA selectable - 50 kΩ with pull-up resistor control - 50 kΩ with pull-down resistor control - Automotive/CMOS hysteresis input selectable

Type	Circuit	Overview
R		<ul style="list-style-type: none"> - Output of 2 mA

5. Handling Precautions

Any semiconductor devices have inherently a certain rate of failure. The possibility of failure is greatly affected by the conditions in which they are used (circuit conditions, environmental conditions, etc.). This page describes precautions that must be observed to minimize the chance of failure and to obtain higher reliability from your Cypress semiconductor devices.

5.1 Precautions for Product Design

This section describes precautions when designing electronic equipment using semiconductor devices.

Absolute Maximum Ratings

Semiconductor devices can be permanently damaged by application of stress (voltage, current, temperature, etc.) in excess of certain established limits, called absolute maximum ratings. Do not exceed these ratings.

Recommended Operating Conditions

Recommended operating conditions are normal operating ranges for the semiconductor device. All the device's electrical characteristics are warranted when operated within these ranges.

Always use semiconductor devices within the recommended operating conditions. Operation outside these ranges may adversely affect reliability and could result in device failure.

No warranty is made with respect to uses, operating conditions, or combinations not represented on the data sheet. Users considering application outside the listed conditions are advised to contact their sales representative beforehand.

Processing and Protection of Pins

These precautions must be followed when handling the pins which connect semiconductor devices to power supply and input/output functions.

(1) Preventing Over-Voltage and Over-Current Conditions

Exposure to voltage or current levels in excess of maximum ratings at any pin is likely to cause deterioration within the device, and in extreme cases leads to permanent damage of the device. Try to prevent such overvoltage or over-current conditions at the design stage.

(2) Protection of Output Pins

Shorting of output pins to supply pins or other output pins, or connection to large capacitance can cause large current flows. Such conditions if present for extended periods of time can damage the device.

Therefore, avoid this type of connection.

(3) Handling of Unused Input Pins

Unconnected input pins with very high impedance levels can adversely affect stability of operation. Such pins should be connected through an appropriate resistance to a power supply pin or ground pin.

Latch-Up

Semiconductor devices are constructed by the formation of P-type and N-type areas on a substrate. When subjected to abnormally high voltages, internal parasitic PNPN junctions (called thyristor structures) may be formed, causing large current levels in excess of several hundred mA to flow continuously at the power supply pin. This condition is called latch-up.

CAUTION: The occurrence of latch-up not only causes loss of reliability in the semiconductor device, but can cause injury or damage from high heat, smoke or flame. To prevent this from happening, do the following:

- (1) Be sure that voltages applied to pins do not exceed the absolute maximum ratings. This should include attention to abnormal noise, surge levels, etc.
- (2) Be sure that abnormal current flows do not occur during the power-on sequence.

Observance of Safety Regulations and Standards

Most countries in the world have established standards and regulations regarding safety, protection from electromagnetic interference, etc. Customers are requested to observe applicable regulations and standards in the design of products.

Fail-Safe Design

Any semiconductor devices have inherently a certain rate of failure. You must protect against injury, damage or loss from such failures by incorporating safety design measures into your facility and equipment such as redundancy, fire protection, and prevention of over-current levels and other abnormal operating conditions.

Precautions Related to Usage of Devices

Cypress semiconductor devices are intended for use in standard applications (computers, office automation and other office equipment, industrial, communications, and measurement equipment, personal or household devices, etc.).

CAUTION: Customers considering the use of our products in special applications where failure or abnormal operation may directly affect human lives or cause physical injury or property damage, or where extremely high levels of reliability are demanded (such as aerospace systems, atomic energy controls, sea floor repeaters, vehicle operating controls, medical devices for life support, etc.) are requested to consult with sales representatives before such use. The company will not be responsible for damages arising from such use without prior approval.

5.2 Precautions for Package Mounting

Package mounting may be either lead insertion type or surface mount type. In either case, for heat resistance during soldering, you should only mount under Cypress's recommended conditions. For detailed information about mount conditions, contact your sales representative.

Lead Insertion Type

Mounting of lead insertion type packages onto printed circuit boards may be done by two methods: direct soldering on the board, or mounting by using a socket.

Direct mounting onto boards normally involves processes for inserting leads into through-holes on the board and using the flow soldering (wave soldering) method of applying liquid solder. In this case, the soldering process usually causes leads to be subjected to thermal stress in excess of the absolute ratings for storage temperature. Mounting processes should conform to Cypress recommended mounting conditions.

If socket mounting is used, differences in surface treatment of the socket contacts and IC lead surfaces can lead to contact deterioration after long periods. For this reason it is recommended that the surface treatment of socket contacts and IC leads be verified before mounting.

Surface Mount Type

Surface mount packaging has longer and thinner leads than lead-insertion packaging, and therefore leads are more easily deformed or bent. The use of packages with higher pin counts and narrower pin pitch results in increased susceptibility to open connections caused by deformed pins, or shorting due to solder bridges.

You must use appropriate mounting techniques. Cypress recommends the solder reflow method, and has established a ranking of mounting conditions for each product. Users are advised to mount packages in accordance with Cypress ranking of recommended conditions.

Lead-Free Packaging

CAUTION: When ball grid array (BGA) packages with Sn-Ag-Cu balls are mounted using Sn-Pb eutectic soldering, junction strength may be reduced under some conditions of use.

Storage of Semiconductor Devices

Because plastic chip packages are formed from plastic resins, exposure to natural environmental conditions will cause absorption of moisture. During mounting, the application of heat to a package that has absorbed moisture can cause surfaces to peel, reducing moisture resistance and causing packages to crack. To prevent, do the following:

- (1) Avoid exposure to rapid temperature changes, which cause moisture to condense inside the product.
Store products in locations where temperature changes are slight.
- (2) Use dry boxes for product storage. Products should be stored below 70% relative humidity, and at temperatures between 5 °C and 30 °C.
When you open Dry Package that recommends humidity 40% to 70% relative humidity.
- (3) When necessary, Cypress packages semiconductor devices in highly moisture-resistant aluminum laminate bags, with a silica gel desiccant. Devices should be sealed in their aluminum laminate bags for storage.
- (4) Avoid storing packages where they are exposed to corrosive gases or high levels of dust.

Baking

Packages that have absorbed moisture may be de-moisturized by baking (heat drying). Follow the Cypress recommended conditions for baking.

Condition: 125 °C/24 h

Static Electricity

Because semiconductor devices are particularly susceptible to damage by static electricity, you must take the following precautions:

- (1) Maintain relative humidity in the working environment between 40% and 70%.
Use of an apparatus for ion generation may be needed to remove electricity.
- (2) Electrically ground all conveyors, solder vessels, soldering irons and peripheral equipment.
- (3) Eliminate static body electricity by the use of rings or bracelets connected to ground through high resistance (on the level of 1 MΩ).
Wearing of conductive clothing and shoes, use of conductive floor mats and other measures to minimize shock loads is recommended.
- (4) Ground all fixtures and instruments, or protect with anti-static measures.
- (5) Avoid the use of styrofoam or other highly static-prone materials for storage of completed board assemblies.

5.3 Precautions for Use Environment

Reliability of semiconductor devices depends on ambient temperature and other conditions as described above.

For reliable performance, do the following:

(1) Humidity

Prolonged use in high humidity can lead to leakage in devices as well as printed circuit boards. If high humidity levels are anticipated, consider anti-humidity processing.

(2) Discharge of Static Electricity

When high-voltage charges exist close to semiconductor devices, discharges can cause abnormal operation. In such cases, use anti-static measures or processing to prevent discharges.

(3) Corrosive Gases, Dust, or Oil

Exposure to corrosive gases or contact with dust or oil may lead to chemical reactions that will adversely affect the device. If you use devices in such conditions, consider ways to prevent such exposure or to protect the devices.

(4) Radiation, Including Cosmic Radiation

Most devices are not designed for environments involving exposure to radiation or cosmic radiation. Users should provide shielding as appropriate.

(5) Smoke, Flame

CAUTION: Plastic molded devices are flammable, and therefore should not be used near combustible substances. If devices begin to smoke or burn, there is danger of the release of toxic gases.

Customers considering the use of Cypress products in other special environmental conditions should consult with sales representatives.

6. Handling Devices

For Latch-Up Prevention

The latch-up phenomenon may occur on a CMOS IC in the following cases: the voltage applied to an input or output pin is higher than V_{CC} or lower than V_{SS} ; or the voltage applied between a VCC pin and a VSS pin exceeds the rating. A latch-up causes a rapid increase in the power supply current, possibly resulting in thermal damage to an element. When using the device, take sufficient care not to exceed the maximum rating.

Also be careful that analog power supplies (AVCC0, AVCC1, AVRH0, and AVRH1) and analog inputs do not exceed the digital power supply (VCC) at the analog system power-on and power-off times. VCC and DVCC must be set to the same voltage. The power-on sequence is as follows. Simultaneously turn on the digital supply voltage (VCC) and analog supply voltages (AVCC0, AVCC1, AVRH0, and AVRH1), and the power supply voltage of high-current output buffer pins (DVCC), or turn on the digital supply voltage (VCC) and then the analog supply voltages (AVCC0, AVCC1, AVRH0, and AVRH1), and the power supply voltage of high-current output buffer pins (DVCC).

About Handling Unused Pins

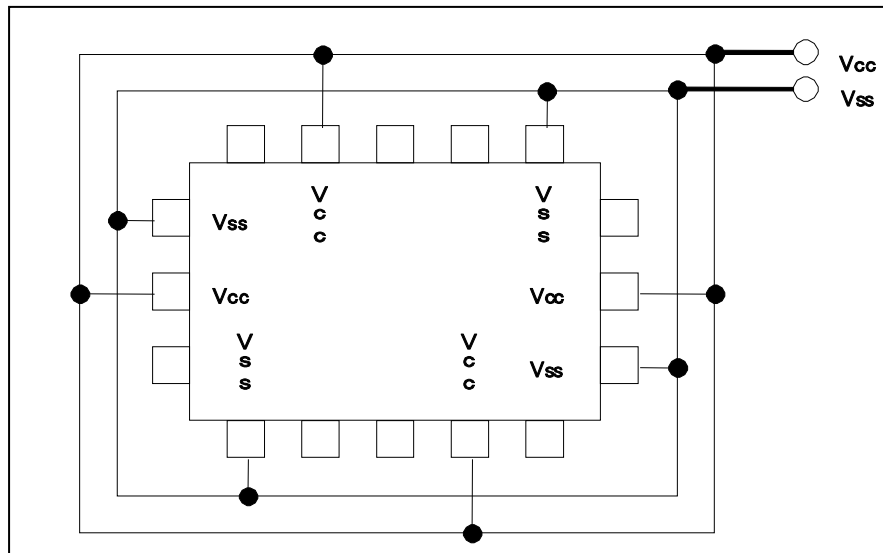
Leaving unused input pins open may cause permanent damage from a malfunction or latch-up. Take measures for unused pins, such as pulling up or pulling down the voltage with resistors of 2 kilohms or higher.

If there are any unused input/output pins, set them to the output state and then open them, or set them to the input state and handle them in the same way as input pins.

About Power Supply Pins

If the device has multiple VCC and VSS pins, the device is designed in such a way that the pins that should be at the same potential are connected to each other inside the device to prevent malfunctions such as latch-up. However, to reduce unwanted emissions, prevent malfunctions of strobe signals caused by an increase of the ground level, and observe standards on total output current, be sure to connect all the VCC and VSS pins to the power source and ground externally. Also handle all the VSS power supply pins in this way as shown in the following diagram. If there are multiple VCC or VSS systems, the device does not operate normally even within the guaranteed operating range.

Figure 8-1 Pin Assignment



In addition, consider connecting with low impedance from the power supply source to the VCC and VSS of this device.

In the area close to this device, a ceramic capacitor having the capacitance larger than the capacitor of C pin is recommended to use as a bypass capacitor between the VCC pin and the VSS pin.

About the Crystal Oscillation Circuit

Noise entering the X0 or X1 pin may cause a malfunction. Design the printed circuit board in such a way that the X0 and X1 pins, the crystal oscillator (or ceramic resonator), and a bypass capacitor to ground are located very close to the device.

We recommend that the printed circuit board artwork have the X0 and X1 pins enclosed by ground.

About the Mode Pin (MD)

Use mode pin MD by directly connecting it to a VCC or VSS pin. To prevent noise from causing the device to accidentally enter test mode, reduce the pattern length between each mode pin and a VCC or VSS pin on the printed circuit board, and connect them with low impedance.

About the Power-on Time

To prevent a malfunction of the voltage step-down circuit built in the device, the voltage rising must be monotonic during power-on

Point to Note during PLL Clock Operation

While a PLL clock is selected, if the oscillator breaks off or input stops, the PLL clock may continue operating with the free running frequency of the internal self-oscillator circuit. This operation is outside of the guaranteed range.

Power Supply Pin Processing of an A/D Converter

Even when no A/D converter is used, establish a connection such that AVCC=AVRH= VCC and AVSS AVSS/AVRL=VSS.

Points to Note About Using External Clocks

External clocks are not supported.

External direct clock input cannot be used.

Power-on Sequence of the Power Supply Analog Inputs of an A/D Converter

Be sure to turn on the digital power supply (VCC) before the application of the power supplies (AVCC, AVRH, and AVRL) and analog inputs (AN3, AN5 to AN6, AN9 to AN10, AN12 to AN15, AN17 to AN24, AN27 to AN43, AN46 to AN53, and AN55 to AN62) of an A/D converter.

At the power-off time, turn off the power supplies and analog inputs of the A/D converter, and then turn off the digital power supply (VCC). Perform these power-on and power-off operations without AVRH exceeding AVCC. Even when using a pin shared with an analog input as an input port, do not allow the input voltage to exceed AVCC. (Turning on or off the analog supply voltage and digital supply voltage simultaneously is not a problem.)

Treatment of Power supplies for High Current Output Buffer Pins (DVCC, DVSS)

Be sure to turn on the digital power supply voltage (VCC) first, and then turn on the power supply voltage for high current output buffer pins (DVCC, DVSS). Also, turn off the power supplies for high current output buffer pins first, and then turn off the digital power supply voltage (VCC).

Even if the high current output buffer pins are used as general-purpose ports, the power supply voltage of high current output buffer pins (DVCC, DVSS) must be powered. (The power supplies of high current output buffer pins and the digital power supplies can be turned on or off simultaneously.)

Connect the pins to have DVCC=VCC and DVSS=VSS.

About C Pin Processing

This device has a built-in voltage step-down circuit. Be sure to connect a capacitor to the C pin (pin 126 in S6J312xHzC* specifications) for internal stabilization of the device. For the standard values, see "Recommended operating conditions" in the latest data sheet.

*x:A/9/8, z: A/B

Precautions on Designing a Mounting Substrate

Measures against heat generation from the package must be taken for the mounting substrate to observe the absolute maximum rating (operating temperature). Design a mounting substrate with 4 or more layers. Connect the back of the package stage and the substrate pad with solder paste. Arrange thermal via holes on the substrate pad. For detailed information about mount conditions, contact your sales representative.

Notes on Writing to a Register Containing a Status Flag

In writing to a register containing a status flag (particularly an interrupt request flag, etc.) to control a function, it is important to take care not to accidentally clear the status flag.

Therefore, before the write operation, configure the status bit such that the flag is not cleared, and then set the control bit to the desired value.

Especially for control bits configured as a set of multiple bits, bit instructions cannot be used (bit instructions have only 1-bit access). In such cases, byte, half-word, or word access is used to write to the control bits and a status flag simultaneously. However, at this time, be careful not to accidentally clear bits other than the intended ones (the status flag bit in this case).

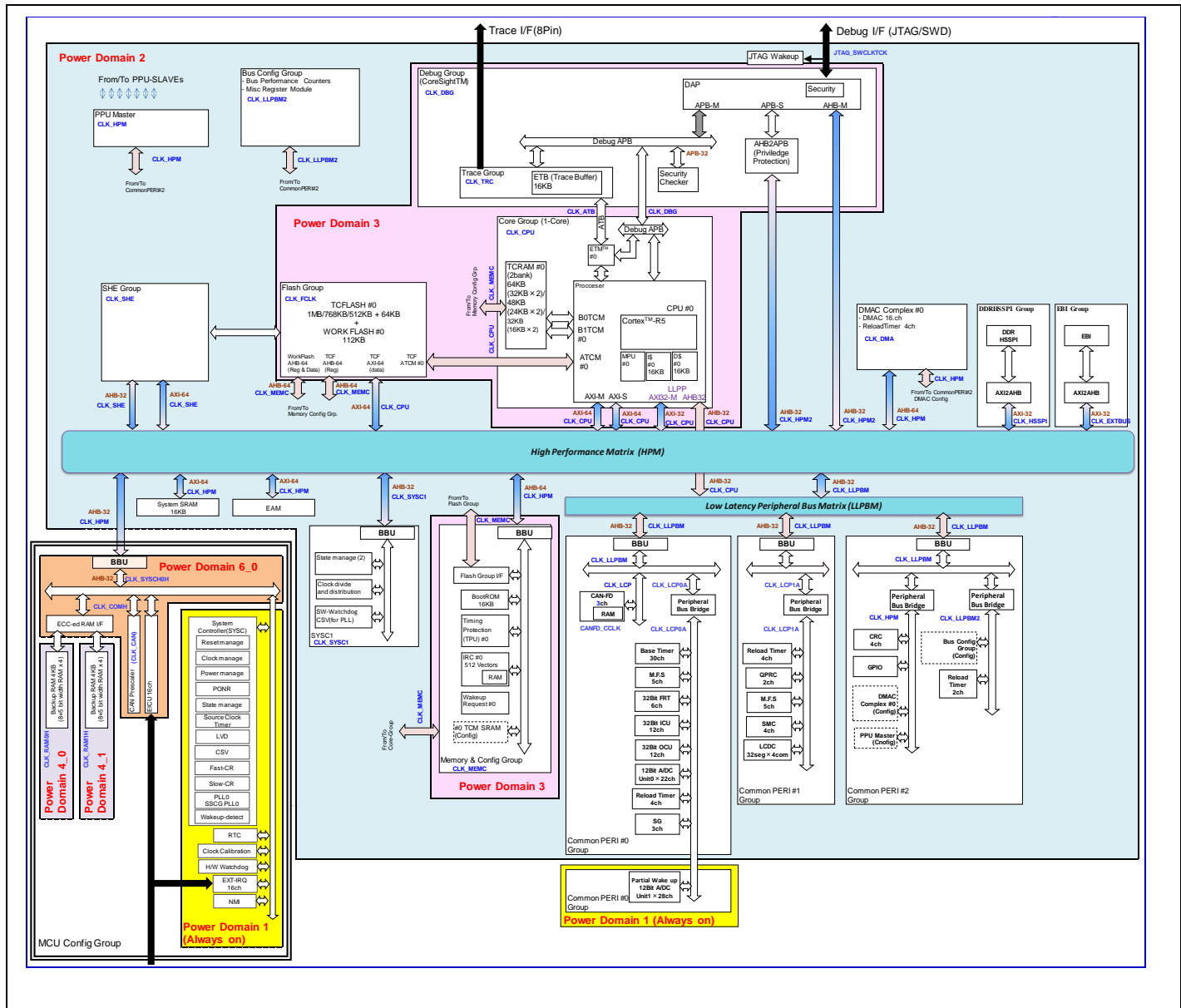
Note: Bit instructions take this point into account for registers that support bit-band units, so it does not need to be a concern. You need to take care when using bit instructions for registers that do not support bit-band units.

7. Block Diagram

This section provides block diagrams of the S6J3120 series.

Figure 9-1 S6J312xHzC* Block Diagram

*x: A/9/8, z: A/B



8. Memory Map

This section explains the memory map.

Figure 10-1 Memory Map(S6J312AHzC/9HzC/8HzC*)

*z: A/B

ADDRESS		group	S6J312AHzC*	S6J3129HzC*	S6J3128HzC*
START	END		part	part	part
0x000_0000	0x0000_7FFF	Internal area for CR5 Complex	TCRAM (Main 64KByte)	TCRAM (Main 48KByte)	TCRAM (Main 32KByte)
0x000_8000	0x0000_BFFF		Reserved	Reserved	Reserved
0x000_C000	0x0000_FFFF		Reserved	Reserved	Reserved
0x001_0000	0x007F_FFFF		Reserved	Reserved	Reserved
0x0080_0000	0xD08F_FFFF		TCM_FLASH (Small Sector 8KByte×8)	TCM_FLASH (Small Sector 8KByte×8)	TCM_FLASH (Small Sector 8KByte×8)
0x00A0_0000	0x00A7_FFFF		TCM_FLASH (Code 1MByte)	TCM_FLASH (Code 768KByte)	TCM_FLASH (Code 512KByte)
0x00A8_0000	0x00AB_FFFF		Reserved	Reserved	Reserved
0x00AC_0000	0x00AF_FFFF		Reserved	Reserved	Reserved
0x00B0_0000	0x00DF_FFFF		Reserved	Reserved	Reserved
0x00E0_0000	0x00FF_FFFF		Reserved	Reserved	Reserved
0x0100_0000	0x019E_FFFF		AXI_FLASH_MEMORY (Small Sector 8KByte×8 *Mirror)	AXI_FLASH_MEMORY (Small Sector 8KByte×8 *Mirror)	AXI_FLASH_MEMORY (Small Sector 8KByte×8 *Mirror)
0x019F_0000	0x019F_FFFF		AXI_FLASH_MEMORY (Code 1MByte *Mirror)	AXI_FLASH_MEMORY (Code 768KByte *Mirror)	AXI_FLASH_MEMORY (Code 512KByte *Mirror)
0x01A0_0000	0x01A7_FFFF		Reserved	Reserved	Reserved
0x01A8_0000	0x01AB_FFFF		Reserved	Reserved	Reserved
0x01AC_0000	0x01AF_FFFF		Reserved	Reserved	Reserved
0x01B0_0000	0x01DF_FFFF	Reserved	Reserved	Reserved	
0x01E0_0000	0x01FF_FFFF	Reserved	Reserved	Reserved	
0x0200_0000	0x0200_3FFF	SYSTEM SRAM (16KByte)	SYSTEM SRAM (16KByte)	SYSTEM SRAM (16KByte)	
0x0200_4000	0x0203_FFFF	Reserved	Reserved	Reserved	
0x0204_0000	0x027F_FFFF	Reserved	Reserved	Reserved	
0x0280_0000	0x0280_002F	Exclusive Access Memory	Exclusive Access Memory	Exclusive Access Memory	
0x0280_0030	0x03FF_FFFF	Reserved	Reserved	Reserved	
0x0400_0000	0x05FF_FFFF	AXI_SLAVE_CORE0	AXI_SLAVE_CORE0	AXI_SLAVE_CORE0	
0x0600_0000	0x0DFF_FFFF	Reserved	Reserved	Reserved	
0x0E00_0000	0x0E01_BFFF	WORK_FLASH (112KByte mirror area 1)	WORK_FLASH (112KByte mirror area 1)	WORK_FLASH (112KByte mirror area 1)	
0x0E01_C000	0x0E0F_FFFF	Reserved	Reserved	Reserved	
0x0E10_0000	0x0E1F_FFFF	Reserved	Reserved	Reserved	
0x0E20_0000	0x0E21_BFFF	WORK_FLASH (112KByte mirror area 3)	WORK_FLASH (112KByte mirror area 3)	WORK_FLASH (112KByte mirror area 3)	
0x0E21_C000	0x0E2F_FFFF	Reserved	Reserved	Reserved	
0x0E30_0000	0x0E31_BFFF	WORK_FLASH (112KByte mirror area 4)	WORK_FLASH (112KByte mirror area 4)	WORK_FLASH (112KByte mirror area 4)	
0x0E31_C000	0x0E7F_FFFF	Reserved	Reserved	Reserved	
0x0E40_0000	0x0E7F_FFFF	Reserved	Reserved	Reserved	
0x0E80_0000	0x0E80_1FFF	Backup RAM 8KByte	Backup RAM 8KByte	Backup RAM 8KByte	
0x0E80_2000	0x0E80_FFFF	Reserved	Reserved	Reserved	
0x0E91_0000	0x0E97_FFFF	Reserved	Reserved	Reserved	
0x0E98_0000	0x0FFF_FFFF	Reserved	Reserved	Reserved	
0x1000_0000	0x1FFF_FFFF	External bus area	EBI_MEMORY(SRAM/FLASH)	EBI_MEMORY(SRAM/FLASH)	
0x2000_0000	0x7FFF_FFFF	Reserved	Reserved	Reserved	
0x8000_0000	0x8FFF_FFFF	HSSPI0 memory area	HSSPI0_MEMORY	HSSPI0_MEMORY	
0x9000_0000	0xAFFF_FFFF	Reserved	Reserved	Reserved	
0xB000_0000	0xB483_FFFF	Peri_area	Peri_area	Peri_area	
0xB484_0000	0xB484_FFFF	APPS#5	APPS#5	APPS#5	
0xB485_0000	0xB48B_FFFF	Peri_area	Peri_area	Peri_area	
0xB48C_0000	0xB48C_FFFF	APPS#7	APPS#7	APPS#7	
0xB48D_0000	0xB7FF_FFFF	Peri_area	Peri_area	Peri_area	
0xB800_0000	0xBFFF_FFFF	Reserved	Reserved	Reserved	
0xC000_0000	0xFFFF_DFFF	Reserved	Reserved	Reserved	
0xFFFFE_0000	0xFFFFE_FFFF	Error Config	ERRCFG	ERRCFG	
0xFFFF0_0000	0xFFFF3_FFFF	BootROM	BootRom	BootRom	
0xFFFF4_0000	0xFFFFF_FFFF	Reserved	Reserved	Reserved	

- Only the CPU core can access 0000_0000 ~ 01FF_FFFF. Bus masters other than the CPU core cannot access the region.
- Internal area of CR5 complex (0000_0000 ~ 01FF_FFFF) is mapped to AXI_SLAVE_CORE0. All bus masters can access to internal area of CR5 complex via AXI_SLAVE_CORE0.
- In each of the following memory area combinations, the areas are physically the same memory area.
 1. TCM FLASH (0x00A0_0000 -) and AXI FLASH MEMORY (0x01A0_0000 -)
 2. TCM FLASH Small Sector (0x009F_0000 -) and AXI FLASH MEMORY Small Sector (0x019F_0000 -)
 3. WORKFLASH (0x0E00_0000 -), WORKFLASH (0x0E20_0000 -), and WORKFLASH (0x0E30_0000 -)

The ECC movement in TCM port is based on ECC setting inside the CPU.

- The differences between the TCM FLASH and AXI FLASH include the following.

Function	TCM FLASH	AXI FLASH
High-speed Access Using Dedicated Bus	Applicable	Not applicable
Write and Erase	Not applicable (Read-only)	Applicable
Read	Applicable	Applicable

- The differences between WORKFLASH areas include the following.

Area	Function
WORKFLASH Area 1	Used in write operation (with ECC)
WORKFLASH Area 3	Used in write operation (without ECC)
WORKFLASH Area 4	Used in read operation

- Terms are as follows.

Term	Description
TCM RAM	Main RAM
TCM FLASH	Program FLASH (TCM area)
AXI FLASH	Program FLASH (AXI area) This is physically the same as the TCM FLASH.
SYSTEM RAM	System RAM
AXI SLAVE CORE	AXI CPU control area
WORKFLASH	FLASH for work
BACKUP RAM	Backup RAM
EBI MEMORY	Memory for External bus interface
HSSPI0 MEMORY	Memory for DDR HS-SPI
Peri area	Entire area for peripheral functions
APPS#5	Part of area for peripheral functions
APPS#7	Part of area for peripheral functions
ERRCFG	Error configuration area
BootROM	ROM for reset boot

S6J312xHzC* Peripheral Map

* x: A/9/8, z:A/B

START Address	END Address	Group	Function	PPU No
B000_0000	B010_7FFF		Reserved	-
B010_0000	B010_03FF		EBI registers	0
B010_0400	B010_0FFF		Reserved	-
B010_1000	B010_13FF		DDR_HSSPI	1
B010_0400	B010_7FFF		Reserved	-
B010_8000	B010_80FF	SystemSRAM	SystemSRAM registers	-
B010_8100	B02F_FFFF		Reserved	-
B030_0000	B030_7FFF	SYSC1	System Controller #1	-
B030_8000	B03F_FFFF	SYSC1	SWDT	-
B040_0000	B040_7FFF	MEMORY_CONFIG_GROUP	IRC0	21
B040_8000	B040_FFFF	MEMORY_CONFIG_GROUP	TPU0	19
B041_0000	B041_0FFF	MEMORY_CONFIG_GROUP	TCRAM Control Status Register	16
B041_1000	B041_1FFF	MEMORY_CONFIG_GROUP	TCFlash Control Status Register	17
B041_2000	B041_20FF	MEMORY_CONFIG_GROUP	WFlash Control Status Register	18
B041_2100	B04F_FFFF		Reserved	-
B050_0000	B05F_FFFF		Reserved	-
B060_0000	B060_007F	MCU_CONFIG_GROUP	Protection register area	-
B060_0080	B060_00FF	MCU_CONFIG_GROUP	RUN profile register area	-
B060_0100	B060_017F	MCU_CONFIG_GROUP	PSS profile register area	-
B060_0180	B060_01FF	MCU_CONFIG_GROUP	APP profile register area	-
B060_0200	B060_027F	MCU_CONFIG_GROUP	STS profile register area	-
B060_0280	B060_02FF	MCU_CONFIG_GROUP	System register area	-
B060_0300	B060_037F	MCU_CONFIG_GROUP	CSV	-
B060_0380	B060_03FF	MCU_CONFIG_GROUP	RESET	-
B060_0400	B060_047F	MCU_CONFIG_GROUP	SCT(Fast CR)	34
B060_0480	B060_04FF	MCU_CONFIG_GROUP	SCT(Slow CR)	33
B060_0500	B060_05FF	MCU_CONFIG_GROUP	SCT(Main clock)	35
B060_0600	B060_067F	MCU_CONFIG_GROUP	Clock System	-
B060_0680	B060_06FF	MCU_CONFIG_GROUP	Special register area	-
B060_0700	B060_07FF	MCU_CONFIG_GROUP	Debug register area	-
B060_0800	B060_BFFF	MCU_CONFIG_GROUP	Mode	-
B060_C000	B060_FFFF	MCU_CONFIG_GROUP	HWDT	-
B061_0000	B061_7FFF		Reserved	-
B061_8000	B061_FFFF	MCU_CONFIG_GROUP	RTC	32
B062_0000	B063_FFFF	MCU_CONFIG_GROUP	EIC	-
B064_0000	B065_FFFF		Reserved	-
B066_0000	B067_FFFF		Reserved	-
B068_0000	B068_7FFF	MCU_CONFIG_GROUP	BURAMIF	-
B068_8000	B068_83FF	MCU_CONFIG_GROUP	EICU	37
B068_8400	B068_87FF	MCU_CONFIG_GROUP	CR_Calibration	38
B068_8800	B068_8BFF	MCU_CONFIG_GROUP	IRQ ALL	42
B068_8C00	B068_FFFF	MCU_CONFIG_GROUP	CAN Prescaler	43
B069_0000	B06F_FFFF		Reserved	-
B070_0000	B07F_FFFF		Reserved	-
B080_0000	B0FF_FFFF	Bit RMW alias	BBU for MCU Config (Covers B060_0000 -- B06F_FFFF)	-
B100_0000	B10F_FFFF	Bit RMW alias	BBU for SYSC1 (Covers B030_0000 -- B031_FFFF)	-
B110_0000	B11F_FFFF	Bit RMW alias	BBU for MEMC (Covers B040_0000 -- B041_FFFF)	-
B120_0000	B1FF_FFFF		Reserved	-
B200_0000	B20F_FFFF	SHE	SHE configuration registers	63
B210_0000	B46F_FFFF		Reserved	-

START Address	END Address	Group	Function	PPU No
B470_0000	B470_3FFF	CommonPERI #2	DMAC #0 registers	64
B470_4000	B470_FFFF		Reserved	-
B471_0000	B471_0FFF	CommonPERI #2	MPU for DMAC#0	66
B471_1000	B471_3FFF		Reserved	-
B471_4000	B471_4FFF	CommonPERI #2	DMA Complex #0 registers (Additional registers, RLTs)	68
B471_5000	B471_7FFF		Reserved	-
B471_8000	B471_83FF	CommonPERI #2	CRC#0	70
B471_8400	B471_87FF	CommonPERI #2	CRC#1	71
B471_8800	B471_8BFF	CommonPERI #2	CRC#2	72
B471_8C00	B471_8FFF	CommonPERI #2	CRC#3	73
B471_9000	B473_7FFF		Reserved	-
B473_8000	B473_FFFF	CommonPERI #2	GPIO	74
B474_0000	B474_7FFF	CommonPERI #2	PPC	75
B474_8000	B474_FFFF	CommonPERI #2	RIC	76
B475_0000	B475_7FFF	CommonPERI #2	PPU	-
B475_8000	B478_7FFF		Reserved	-
B478_8000	B478_83FF	CommonPERI #2	Reload Timer ch.32	160
B478_8400	B478_87FF	CommonPERI #2	Reload Timer ch.33	161
B478_8800	B478_FBFF		Reserved	-
B478_FC00	B478_FFFF	CommonPERI #2	Misc registers	82
B479_0000	B47F_FFFF		Reserved	-
B480_0000	B480_03FF	CommonPERI #0	M.F.Serial ch.0	176
B480_0400	B480_07FF	CommonPERI #0	M.F.Serial ch.1	177
B480_0800	B480_0BFF	CommonPERI #0	M.F.Serial ch.2	178
B480_0C00	B480_0FFF	CommonPERI #0	M.F.Serial ch.3	179
B480_1000	B480_13FF	CommonPERI #0	M.F.Serial ch.4	180
B480_1400	B480_7FFF		Reserved	-
B480_8000	B480_83FF	CommonPERI #0	BaseTimer ch.0	88
B480_8400	B480_87FF	CommonPERI #0	BaseTimer ch.1	89
B480_8800	B480_8BFF	CommonPERI #0	BaseTimer ch.2	90
B480_8C00	B480_8FFF	CommonPERI #0	BaseTimer ch.3	91
B480_9000	B480_93FF	CommonPERI #0	BaseTimer ch.4	92
B480_9400	B480_97FF	CommonPERI #0	BaseTimer ch.5	93
B480_9800	B480_9BFF	CommonPERI #0	BaseTimer ch.6	94
B480_9C00	B480_9FFF	CommonPERI #0	BaseTimer ch.7	95
B480_A000	B480_A3FF	CommonPERI #0	BaseTimer ch.8	96
B480_A400	B480_A7FF	CommonPERI #0	BaseTimer ch.9	97
B480_A800	B480_ABFF	CommonPERI #0	BaseTimer ch.10	98
B480_AC00	B480_AFFF	CommonPERI #0	BaseTimer ch.11	99
B480_B000	B480_FFFF		Reserved	-
B481_0000	B481_03FF	CommonPERI #0	Reload Timer ch.0	128
B481_0400	B481_07FF	CommonPERI #0	Reload Timer ch.1	129
B481_0800	B481_0BFF	CommonPERI #0	Reload Timer ch.2	130
B481_0C00	B481_0FFF	CommonPERI #0	Reload Timer ch.3	131
B481_1000	B481_FFFF		Reserved	-
B482_0000	B482_03FF	CommonPERI #0	FRT ch.0	208
B482_0400	B482_07FF	CommonPERI #0	FRT ch.1	209
B482_0800	B482_0BFF	CommonPERI #0	FRT ch.2	210
B482_0C00	B482_0FFF	CommonPERI #0	FRT ch.3	211
B482_1000	B482_13FF	CommonPERI #0	FRT ch.4	212
B482_1400	B482_17FF	CommonPERI #0	FRT ch.5	213
B482_1800	B482_7FFF		Reserved	-
B482_8000	B482_83FF	CommonPERI #0	ICU ch.0 / ch.1	224
B482_8400	B482_87FF	CommonPERI #0	ICU ch.2 / ch.3	225
B482_8800	B482_8BFF	CommonPERI #0	ICU ch.4 / ch.5	226
B482_8C00	B482_8FFF	CommonPERI #0	ICU ch.6 / ch.7	227
B482_9000	B482_93FF	CommonPERI #0	ICU ch.8 / ch.9	228
B482_9400	B482_97FF	CommonPERI #0	ICU ch.10 / ch.11	229
B482_9800	B482_FFFF		Reserved	-

START Address	END Address	Group	Function	PPU No
B483_0000	B483_03FF	CommonPERI #0	OCU ch.0 / ch.1	240
B483_0400	B483_07FF	CommonPERI #0	OCU ch.2 / ch.3	241
B483_0800	B483_0BFF	CommonPERI #0	OCU ch.4 / ch.5	242
B483_0C00	B483_0FFF	CommonPERI #0	OCU ch.6 / ch.7	243
B483_1000	B483_13FF	CommonPERI #0	OCU ch.8 / ch.9	244
B483_1400	B483_17FF	CommonPERI #0	OCU ch.10 / ch.11	245
B483_1800	B483_FBFF		Reserved	-
B483_FC00	B483_FFFF	Common PERI #0	Misc registers	80
B484_0000	B484_FFFF	APPS #5	APPS#5 area	-
B485_0000	B487_FFFF		Reserved	-
B488_0000	B488_03FF	CommonPERI #1	M.F.Serial ch.8	184
B488_0400	B488_07FF	CommonPERI #1	M.F.Serial ch.9	185
B488_0800	B488_0BFF	CommonPERI #1	M.F.Serial ch.10	186
B488_0C00	B488_0FFF	CommonPERI #1	M.F.Serial ch.11	187
B488_1000	B488_13FF	CommonPERI #1	M.F.Serial ch.12	188
B488_1400	B488_FFFF		Reserved	-
B489_0000	B489_03FF	CommonPERI #1	Reload Timer ch.16	144
B489_0400	B489_07FF	CommonPERI #1	Reload Timer ch.17	145
B489_0800	B489_0BFF	CommonPERI #1	Reload Timer ch.18	146
B489_0C00	B489_0FFF	CommonPERI #1	Reload Timer ch.19	147
B489_1000	B489_7FFF		Reserved	-
B489_8000	B489_83FF	CommonPERI #1	QPRC ch.8	200
B489_8400	B489_87FF	CommonPERI #1	QPRC ch.9	201
B489_8800	B48B_0FFF		Reserved	-
B48B_1000	B48B_FBFF		Reserved	-
B48B_FC00	B48B_FFFF	CommonPERI #1	Misc registers	81
B48C_0000	B48C_FFFF	APPS #7	APPS#7 area	-
B48D_0000	B48F_FFFF		Reserved	-
B490_0000	B490_FFFF	CommonPERI #0	CAN_FD ch.0	256
B491_0000	B491_FFFF	CommonPERI #0	CAN_FD ch.1	257
B492_0000	B492_FFFF	CommonPERI #0	CAN_FD ch.2	258
B493_0000	B4BF_FFFF		Reserved	-
B4C0_0000	B4FF_FFFF	Bit RMW alias	BBU for CommonPERI#0 (Covers B490_0000 -- B497_FFFF)	-
B500_0000	B5FF_FFFF		Reserved	-
B600_0000	B6FF_FFFF		Reserved	-
B700_0000	B77F_FFFF	Bit RMW alias	BBU alias for CommonPERI#2 (Covers B470_0000 -- B47F_FFFF)	-
B780_0000	B7BF_FFFF	Bit RMW alias	BBU alias for CommonPERI#0 (Covers B480_0000 -- B487_FFFF)	-
B7C0_0000	B7FF_FFFF	Bit RMW alias	BBU alias for CommonPERI#1 (Covers B488_0000 -- B48F_FFFF)	-
B800_0000	FFFE_DFFF		Reserved	-
FFFE_E000	FFFE_FBFC	Error Config	IRC	-
FFFE_FC00	FFFE_FFFF	Error Config	BootROM I/F	20

■ - APPS#5 area

START Address	END Address		Function	PPU No
B484_0000	B484_03FF	APPS #5	Sound Generator ch.0	264
B484_0400	B484_07FF	APPS #5	Sound Generator ch.1	265
B484_0800	B484_0BFF	APPS #5	Sound Generator ch.2	266
B484_0C00	B484_37FF		Reserved	-
B484_3800	B484_3BFF	APPS #5	BaseTimer ch.12	278
B484_3C00	B484_3FFF	APPS #5	BaseTimer ch.13	279
B484_4000	B484_43FF	APPS #5	BaseTimer ch.14	280
B484_4400	B484_47FF	APPS #5	BaseTimer ch.15	281
B484_4800	B484_4BFF	APPS #5	BaseTimer ch.16	282
B484_4C00	B484_4FFF	APPS #5	BaseTimer ch.17	283
B484_5000	B484_53FF	APPS #5	BaseTimer ch.18	284
B484_5400	B484_57FF	APPS #5	BaseTimer ch.19	285
B484_5800	B484_5BFF	APPS #5	BaseTimer ch.20	286
B484_5C00	B484_5FFF	APPS #5	BaseTimer ch.21	287
B484_6000	B484_63FF	APPS #5	BaseTimer ch.22	288
B484_6400	B484_67FF	APPS #5	BaseTimer ch.23	289
B484_6800	B484_6BFF	APPS #5	BaseTimer ch.24	290
B484_6C00	B484_6FFF	APPS #5	BaseTimer ch.25	291
B484_7000	B484_73FF	APPS #5	BaseTimer ch.26	292
B484_7400	B484_77FF	APPS #5	BaseTimer ch.27	293
B484_7800	B484_7BFF	APPS #5	BaseTimer ch.28	294
B484_7C00	B484_7FFF	APPS #5	BaseTimer ch.29	295
B484_8000	B484_83FF	APPS #5	A/D unit0	296
B484_8400	B484_87FF	APPS #5	A/D unit1 , Partial Wake Up	297
B484_8800	B484_8BFF	APPS #5	A/D analog input control	298
B484_8C00	B484_8FFF		Reserved	-
B484_9000	B484_93FF	APPS #5	Global Timer	300
B484_9400	B484_FFFF		Reserved	-

■ - APPS#7 area

START Address	END Address		Function	PPU No
B48C_0000	B48C_3FFF		Reserved	-
B48C_4000	B48C_43FF	APPS #7	Stepper Motor Control ch.0	317
B48C_4400	B48C_47FF	APPS #7	Stepper Motor Control ch.1	318
B48C_4800	B48C_4BFF	APPS #7	Stepper Motor Control ch.2	319
B48C_4C00	B48C_4FFF	APPS #7	Stepper Motor Control ch.3	320
B48C_5000	B48C_57FF		Reserved	-
B48C_5800	B48C_5BFF	APPS #7	SMC Trigger Generator	323
B48C_5C00	B48C_5FFF	APPS #7	Liquid Crystal Display Controller	324
B48C_6000	B48C_63FF	APPS #7	Liquid Crystal Display input/output control	325
B48C_6400	B48C_FFFF		Reserved	-

When MPU attribute of Cortex®-R5 is configured as "Normal", store buffer inside Cortex®-R5 can operate and write data can be merged. To avoid influence of this data merger, MPU attribute "Device" or "Strongly Ordered" should be used.

MPU attribute "Device" or "Strongly Ordered" must be used for areas below, to avoid this influence.

- Backup RAM area (BACKUP_RAM) [0E80_0000 ~ 0E87_FFFF]
- Peripheral area (Peri area) [B000_0000 ~ B7FF_FFFF]
- Error Config area (ERRCFG) [FFFE_E000 ~ FFFE_FFFF]

MPU attribute "Device" or "Strongly Ordered" is required for accesses to areas below, in particular situation.

- FLASH Memory (when writing commands)

SHE OFF product is prohibited to access SHE area (B200_0000 to B20F_FFFF)

9. Pin Statuses In CPU Status

Table 11-1 Pin State Table (1/2)

Pin No.	Pin Name	GPORTE Control	External Reset Factor 1		External Reset Factor 2		External Reset Factor 3		Internal Reset Factor #2	Sleep mode	Stop mode #4		Timer mode #4	
			Internal reset issuance in progress	After external factor releasing	Internal reset issuance in progress	After external factor releasing	Internal reset issuance in progress	After external factor releasing			Internal reset issuance in progress	After external factor releasing	High impedance (S/S0, SFC0, P/SSP/CTRL=0)	When High Impedance Enabled (S/S0, SFC0, P/SSP/CTRL=1)
2	P000/S0T2_1/A1N8_0/MAD00/SEG8													
3	P001/SCS20_1/B1N8_0/MATA15/SEG9													
4	P003/SCS22_1/Z1N8_0/MATA14/SEG10													
5	P005/SIN3_0/IN6_0/A1N9_0/MATA13/SEG11													
6	P006/S0T3_0/SDA3_0/IN7_0/B1N9_0/MATA12/SEG12													
7	P007/SCK3_0/SCL3_0/IN8_0/Z1N9_0/MATA11/SEG13													
8	P008/SCS30_0/IN9_0/T10A0_0/MATA10/SEG14													
9	P009/INT0_1/SIN11_0/IN10_0/T10A1_0/MATA09/SEG15													
10	P010/S0T11_0/SDA11_0/IN11_0/T10A2_0/MATA08/SEG16													
11	P012/SCK11_0/SCL11_0/OUT5_0/T10A3_0/MOEX/SEG17													
12	P013/SCS110_0/OUT6_0/T10A4_0/MOEX/SEG18													
13	P015/SCS111_0/OUT7_0/T10A5_0/MCSX0/SEG19													
14	P016/SCS112_0/OUT8_0/T10A6_0/MCSX1/SEG20													
15	P017/SCS113_0/OUT9_0/T10A7_0/MOQMO/SEG21													
16	P018/OUT10_0/T10A8_0/MOQMI/SEG22													
17	P019/TEXT0_0/OUT11_0/T10B0_0/MAD15/SEG23/ST0 #9													
18	P020/S0T0_0/SDA0_0/TEXT1_0/T10B1_0													
19	P021/SCK0_0/SCL0_0/SCK4_1/T10B2_0													
20	P022/INT3_0/SIN0_0/T10B3_0													
21	P023/SCS0_0/SIN4_1/T10B4_0/MAD16/SEG24/ST1 #9													
22	P024/S0T4_1/T10B5_0/MAD17/SEG25/ST2 #9													
23	P027/SCS42_1/TEXT0_1/T10B6_0/T10A4_1/MAD18/SEG26/ST3 #9													
24	P028/SIN1_0/OUT0_1/T10B7_0/MAD19/SEG27/ST4 #9													
25	P029/S0T1_0/OUT1_1/MAD20/SEG28/ST5 #9													
26	P030/SCS43_1/OUT2_1/T10B8_0/MAD21/SEG29/ST6 #9													
27	P031/SCS1_0/OUT3_1/MAD22/SEG30/ST7 #9													
28	P100/SCK1_0/OUT4_1/MAD23/SEG31/ST8 #9													
29	P101/AN3/OUT5_1/MDATA07													
30	P103/AN5/OUT6_1/T10B9_0/MATA06													
31	P105/OUT7_1/T10A9_0/MATA05													
32	P106/TX1_2/OUT8_1/T1N0/MATA04													
33	P107/INT2_1/RX1_2/OUT9_1/T10A10_0/TOTO/MATA03													
34	P108/INT3_1/AN6/OUT10_1/T10A11_0/TINI1/MRDY													
35	P109/OUT11_1/T10A12_0/TOT1/MCLK													
39	P112/AN9/T10A13_0/TIN2/MATA02													
40	P113/T10A5_1/TOT2/MATA01													
41	P114/AN10/T10A6_1/TIN3/MATA00													
45	P115/T10B10_0/TOT3													
46	P117/INT4_1/AN12/T10B11_0/TINI6													
47	P118/INT5_1/AN13/T10B12_0/TOT16													
48	P119/AN14/SCS90_0/T10B13_0/TINI7													
49	P120/AN15/SCS91_0/TOT17													
50	P122/AN17/SCS92_0/T10A11_1/SBA0_0													
51	P123/AN18/SCS93_0/T10A12_1/SBA0_0													
52	P126/AN19/SBA1_0													
53	P127/AN20/TEXT1_1/SBA1_0													
54	P128/AN21/TEXT2_1/SBA2_0													
55	P129/AN22/IN6_1/SBA2_0													
56	P130/INT5_0/AN23/SIN9_0/IN7_1													
57	P131/AN24/S0T9_0/SDA9_0/IN8_1													
58	P202/INT6_1/SCK9_0/SCL9_0/IN9_1													
59	P203/IN10_1/T10B19_0/A1N8_1													
60	P204/AN27/IN11_1/T10B20_0/B1N8_1													
61	P205/AN28/TEXT3_1/T10B21_0/Z1N8_1													
62	P206/AN29/SCS43_0/TEXT4_1/T10B22_0													
63	P207/INT7_1/AN30/SCK4_0/SCL4_0/TEXT5_1/SPISEL3													
64	P208/AN31/SCS42_0/T10A19_0/SPISEL2													
65	P209/AN32/S0T4_0/SDA4_0/T10A20_0/SPISEL1													
66	P210/INT6_0/AN33/SIN4_0/IN0_2/T10A21_0/SPICLK													
67	P211/AN34/SCS40_0/IN1_2/T10A22_0/SPIBATO													
68	P212/AN35/SCS41_0/SCS80_1/IN2_2/T10A13_1/SPIDAT2													
69	P213/INT8_1/SIN8_1/IN3_2/T10A14_1/SPIDAT1													
70	P214/S0T8_1/IN4_2/T10A15_1/SPISELO													
71	P215/INT9_1/SCK8_1/IN5_2/T10A16_1/SPIDAT3													

Table 11-2 Pin State Table (2/2)

Pin No.	Pin Name	GPORTEN Control	External Reset Factor 1		External Reset Factor 2		External Reset Factor 3		Internal Reset Factor #2	Sleep mode	Stop mode #4		Timer mode #4			
			External factor generation in progress	After external factor releasing	External factor generation in progress	After external factor releasing	External factor generation in progress	After external factor releasing			Internal reset before progress	After internal reset issuance (Before GPORT setting)	High Impedance (SYS0_SPEFGR, PSSPADCLR=0)	When High Impedance Enabled (SYS0_SPEFGR, PSSPADCLR=1)	High Impedance (SYS0_SPEFGR, PSSPADCLR=0)	When High Impedance Enabled (SYS0_SPEFGR, PSSPADCLR=1)
			Internal reset issuance in progress	Internal reset issuance in progress (Before GPORT setting)	Internal reset issuance in progress	Internal reset issuance in progress (Before GPORT setting)	Internal reset issuance in progress	Internal reset issuance in progress (Before GPORT setting)			Internal reset issuance in progress	After internal reset issuance (Before GPORT setting)	CPU Sleep mode	High Impedance (SYS0_SPEFGR, PSSPADCLR=0)	When High Impedance Enabled (SYS0_SPEFGR, PSSPADCLR=1)	High Impedance (SYS0_SPEFGR, PSSPADCLR=0)
74	P218/AN36/TEXT2_0/T10B14_0															
75	P219/AN37/TEXT3_0/T10B15_0															
76	P220/AN38/TX2_0/SCS83_0/IN6_2/T10B16_0															
77	P222/INT7_0/AN39/RX2_0/SIN8_0/IN7_2															
78	P223/AN40/PWU_AN0/SCS81_0/IN8_2/AIN9_1															
79	P224/AN41/PWU_AN1/TX0_2/SCS80_0/IN9_2/BIN9_1															
80	P225/INT0_0/AN42/PWU_AN2/RX0_2/SOT8_0/SDA8_0/IN10_2/T10B17_0/ZIN9_1															
81	P226/AN43/PWU_AN3/SCK8_0/SCL8_0/IN11_2/T10A17_1															
87	P229/INT8_0/AN46/PWU_AN6/OUT0_0/T10A25_0/PWM1P0															
88	P230/AN47/PWU_AN7/OUT1_0/T10A26_0/PWM1M0															
89	P231/AN48/OUT2_0/T10A27_0/PWM2P0															
90	P300/AN49/OUT3_0/T10A28_0/PWM2M0															
91	P301/AN50/OUT4_0/T10A18_1/PWM1P1															
92	P302/AN51/T10A19_1/PWM1M1															
93	P304/AN52/TEXT4_0/T10A20_1/PWM2P1															
94	P305/AN53/TEXT5_0/T10A29_0/PWM2M1															
97	P307/INT1_0/AN55/SCS102_0/T10B18_0/PWM1P2															
98	P308/AN56/IN0_1/T10A28_1/PWM1M2															
99	P309/AN57/IN1_1/T10A29_1/PWM2P2															
100	P312/AN58/SCS101_0/IN2_1/T10B25_0/PWM2M2															
101	P313/INT10_1/AN59/SOT10_0/SDA10_0/IN3_1/T10B26_0/PWM1P3															
102	P314/AN60/SCK10_0/SCL10_0/IN4_1/T10B27_0/T10A7_1/PWM1M3															
103	P315/AN61/TX1_1/SCS100_0/IN5_1/T10B28_0/T10A8_1/PWM2P3															
104	P317/INT11_1/AN62/RX1_1/SIN10_0/T10B29_0/T10A9_1/PWM2M3															
107	P321/PWUTRG															
110	TRST/P322															
111	TD0/P323															
112	TD1/P324															
113	TMS															
114	TCK															
115	P327/WOT															
116	NMIX															
117	ND															
118	X0															
119	X1															
121	P331/MCSX3/SGA0_1															
122	P400/MCSX2/SG00_1															
123	RSTX															
127	P401/TX1_0/INO_0															
128	P402/INT2_0/RX1_0/IN1_0/V3															
129	P403/IN2_0/TRACEDATA0/V2/SGA1_1															
130	P404/SCS120_0/IN3_0/TRACEDATA1/MAD14/V1/SG01_1															
131	P405/INT11_0/SIN12_0/IN4_0/TRACEDATA2/MAD13/V0/SGA2_1															
132	P406/SOT12_0/TRACEDATA3/MAD12/COM0/SG02_1 #9															
133	P407/SCK12_0/SCK10_1/TRACEDATA4/MAD11/COM1 #9															
134	P408/SIN2_0/TRACEDATA5/TIN18/MAD10/COM2 #9															
135	P409/SOT2_0/T10A24_1/TRACEDATA6/TOT18/MAD09/COM3 #9															
136	P411/INT13_1/SCK2_0/SCS101_1/T10B24_0/TRACEDATA7/TIN19/MAD08/SEG0															
137	P413/INT14_1/SCS20_0/SCS103_1/TOT19/MAD07/SEG1															
138	P414/SCS21_0/TIN32/MAD06/SEG2															
139	P416/SIN10_1/IN5_0/T10A22_1/TOT32/MAD05/SEG3															
140	P417/INT15_1/SOT10_1/T10A23_1/TIN33/MAD04/SEG4															
141	P418/INT14_0/SCS22_0/T10B23_0/TOT33/MAD03/SEG5															
142	P420/SCK2_1/TRACECLK/MAD02/SEG6															
143	P421/INT12_1/SIN2_1/TRACECTL/MAD01/SEG7															

*1: Input disable is not valid when external interrupts are enabled.

*2: Recovery from standby (power off) becomes a factor.

*3: The pin state from the time that HOLDIO_PD2 was set (SYSC0_SPECIFGR.HOLDIO_PD2=1) is retained. If power-off has not occurred and HOLDIO_PD2 has not been set (SYSC0_SPECIFGR.HOLDIO_PD2=0), the last state is retained.

*4: To power off power domains 2 and 3, be sure to set HOLDIO_PD2 (SYSC0_SPECIFGR.HOLDIO_PD2=1).

*5: The pin state when the PORT function is enabled is shown.

*6: When Port is used as LCD setting, PIN state becomes the following.

Power Domain 2 Control	Power-Off	Power-on		
		Except PSS Main oscillation Timer mode	PSS Main oscillation Timer mode	
mode	-			
Main oscillation enable setting	-	-	enable (LCR0:LCEN=1)	disable (LCR0:LCEN=0)
PIN state	Output "L" / Input blocked	Output "L" / Input blocked	Retention of LCD display	Output "L" / Input blocked

*7: When the PWU function is enabled, a change to output occurs.

*8: When PPC_PCFGRIjij:POF[2:0] is set to initial value.

*9: When reset is issued, the following ports become "L" output as the initial state.

- P019, P023, P024, P027, P028, P029, P030, P031, P100, P406, P407, P408, P409

Therefore, don't add the Pull-up registers outside of this product to the above ports.

In case that the above ports are used as Pull-up, use the Pull-up function implemented in this product.

-External Reset Factor 1

Power-on reset (PONR)

RAM retention low-voltage detection reset (RVD)

Internal power supply low-voltage detection reset (LVDL1R)

RSTX pin + MD pin simultaneous assert reset (INITX)

-External Reset Factor 2

RSTX pin input reset (RSTX)

-External Reset Factor 3

Hardware watchdog reset (HWDR)

Software watchdog reset (SWDR)

PLL clock supervisor reset (CSVPRn)

SSCG clock supervisor reset (CSVSRn)

Profile error reset (PRFERR)

Software trigger hard reset (SHRST)

Software reset (SRST)

-Internal Reset Factor

Standby transition reset/ Power domain reset

10. Electrical Characteristics

10.1 Absolute Maximum Ratings

Parameter	Symbol	Rating		Unit	Remarks
		Min	Max		
Power supply voltage ^{*1, *2}	V _{CC}	V _{SS} -0.3	V _{SS} +6.0	V	
	DV _{CC}	V _{SS} -0.3	V _{SS} +6.0	V	DV _{CC} =V _{CC}
Analog supply voltage ^{*1, *2}	AV _{CC}	V _{SS} -0.3	V _{SS} +6.0	V	AV _{CC} =V _{CC}
Analog reference voltage ^{*1}	AVRH	V _{SS} -0.3	V _{SS} +6.0	V	AVRH≤AV _{CC}
Input voltage ^{*1}	V _{I1}	V _{SS} -0.3	V _{CC} +0.3	V	
	V _{I2}	DV _{SS} -0.3	DV _{CC} +0.3	V	SMC shared pin
Analog pin input voltage ^{*1}	V _{IA1}	V _{SS} -0.3	V _{CC} +0.3	V	
	V _{IA2}	DV _{SS} -0.3	DV _{CC} +0.3	V	SMC shared pin
Output voltage ^{*1}	V _{O1}	V _{SS} -0.3	V _{CC} +0.3	V	
	V _{O2}	DV _{SS} -0.3	DV _{CC} +0.3	V	SMC shared pin
Maximum clamp current	I _{CLAMP}	-	4	mA	*8
Total maximum clamp current	Σ I _{CLAMP}	-	20	mA	*8
"L"-level maximum output current ^{*3}	I _{OL1}	-	3.5	mA	When setting is 1 mA ^{*6}
	I _{OL2}	-	7	mA	When setting is 2 mA
	I _{OL3}	-	40	mA	When setting is 30 mA ^{*7}
"L"-level average output current ^{*4}	I _{OLAV1}	-	1	mA	When setting is 1 mA ^{*6}
	I _{OLAV2}	-	2	mA	When setting is 2 mA
	I _{OLAV3}	-	30	mA	When setting is 30 mA ^{*7}
"L"-level total output current ^{*5}	ΣI _{OL1}	-	40	mA	*6
	ΣI _{OL2}	-	150	mA	*7
"H"-level maximum output current ^{*3}	I _{OH1}	-	-3.5	mA	When setting is 1 mA ^{*6}
	I _{OH2}	-	-7	mA	When setting is 2 mA
	I _{OH3}	-	-40	mA	When setting is 30 mA ^{*7}
"H"-level average output current ^{*4}	I _{OHAV1}	-	-1	mA	When setting is 1 mA ^{*6}
	I _{OHAV2}	-	-2	mA	When setting is 2 mA
	I _{OHAV3}	-	-30	mA	When setting is 30 mA ^{*7}
"H"-level total output current ^{*5}	ΣI _{OH1}	-	-40	mA	*6
	ΣI _{OH2}	-	-150	mA	*7
Power consumption	P _D	-	2000	mW	S6J312xHzC ^{*9}
Operating temperature	T _A	-40	+105	°C	
Storage temperature	T _{stg}	-55	+150	°C	

*1: These parameters are based on the condition that V_{SS}=DV_{SS}=AV_{SS}=0.0V.

*2: AV_{CC}, DV_{CC} and V_{CC} must be set to the same voltage. It is required that AV_{CC} and DV_{CC} do not exceed V_{CC} and that the voltage at the analog inputs does not exceed AV_{CC} when the power is switched on.

*3: The maximum output current is defined as the value of the peak current flowing through any one of the corresponding pins.

*4: The average output current is defined as the value of the average current flowing through any one of the corresponding pins for a 10 ms period. The average value is the operation current X the operation ratio.

*5: The total output current is defined as the maximum current value flowing through all of corresponding pins.

*6: Corresponding pins: general-purpose ports

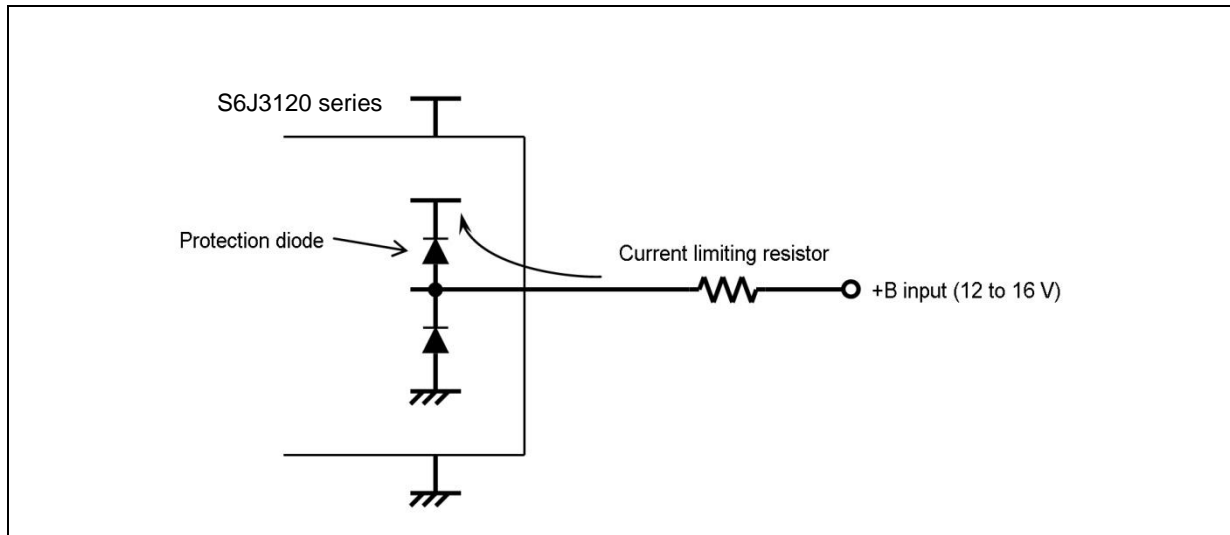
*7: Corresponding pins: P229 to P231, P300 to P302, P304 to P305, P307 to P309, P312 to P315, P317

*8: Corresponding pins: All general-purpose ports and analog input pins.

- Use the device within the recommended operating conditions.
- Use the device with direct voltage (current).
- The + B signal should always be applied by connecting a limiting resistor between the + B signal and the microcontroller.
- The value of the limiting resistor should be set so that the current input to the microcontroller pin does not exceed rated values at any time regardless of instantaneously or constantly when the + B signal is input.
- Note that when the microcontroller drive current is low, such as in the low-power consumption modes, the + B input potential can increase the potential at the VCC pin via a protective diode, possibly affecting other devices.
- Note that if the + B signal is input when the microcontroller is off (not fixed at 0 V), since the power is supplied through the pin, the microcontroller may operate incompletely.
- Note that if the +B signal is input at power-on, since the power is supplied through the pin, the power-on reset may not function in the power supply voltage.
- Do not leave + B input pins open.

*9: It is standard when four-layer substrate is used.

Example of a recommended circuit



WARNING:

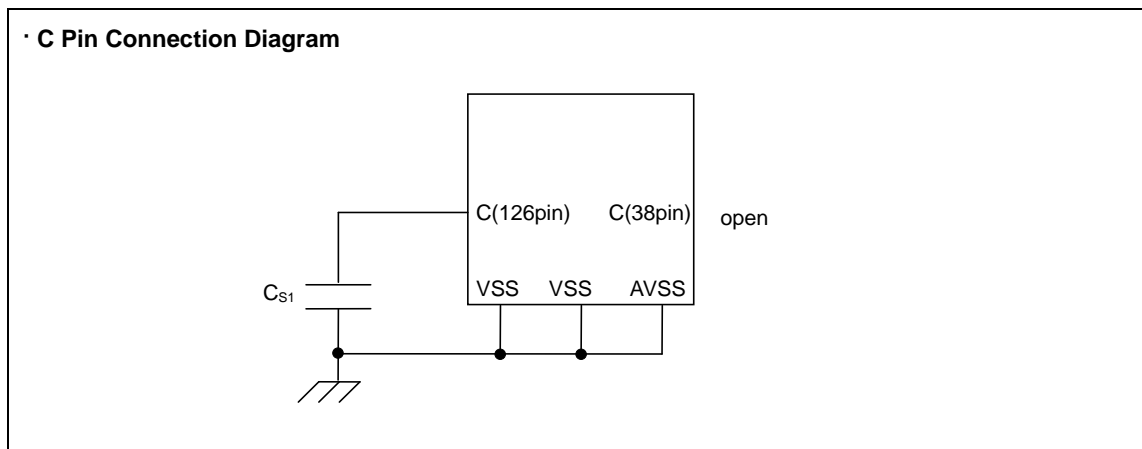
- Semiconductor devices may be permanently damaged by application of stress (including, without limitation, voltage, current or temperature) in excess of absolute maximum ratings. Do not exceed any of these ratings.

10.2 Recommended Operating Conditions

(V_{SS}=DV_{SS}=AV_{SS}=0.0 V)

Parameter	Symbol	Value		Unit	Remarks
		Min	Max		
Supply voltage	V _{CC}	4.5	5.5	V	Recommended operation assurance range
	DV _{CC}	4.5	5.5	V	
	AV _{CC}	4.5	5.5	V	
	V _{CC}	3.5	5.5	V	Operation assurance range
	DV _{CC}	3.5	5.5	V	
	AV _{CC}	3.5	5.5	V	
Smoothing capacitor*	C _{S1}	4.7		μF	Tolerance of up to ±40%, 126pin Use a ceramic capacitor or a capacitor that has the similar frequency characteristics. Use a capacitor with a capacitance greater than C _S as the smoothing capacitor on the VCC pin.
Operating temperature	T _A	-40	+105	°C	S6J312xHzC* * x:A/9/8, z:A/B

*: For the connections of smoothing capacitor C_{S1}, see the following diagram.



WARNING:

1. The recommended operating conditions are required in order to ensure the normal operation of the semiconductor device. All of the device's electrical characteristics are warranted when the device is operated under these conditions.
2. Any use of semiconductor devices will be under their recommended operating condition.
3. Operation under any conditions other than these conditions may adversely affect reliability of device and could result in device failure.
4. No warranty is made with respect to any use, operating conditions or combinations not represented on this data sheet. If you are considering application under any conditions other than listed herein, please contact sales representatives beforehand.

Notes:

- The following condition should be satisfied in order to facilitate heat dissipation.
 1. 4 or more layers PCB should be used.
 2. The area of PCB should be 114.3 mm x 76.2 mm or more, and the thickness should be 1.6 mm or more. (JEDEC standard)
 3. 1 layer of middle layers at least should be used for dedicated layer to radiate heat with residual copper rate 90% or more. The layer can be used for system ground.
 4. 35~50% of the die stage area which is exposed at back surface of package should be soldered to a part of 1st layer.
 5. The part of 1st layer should be connected to the dedicated heat radiation layer with more than 10 thermal via holes.

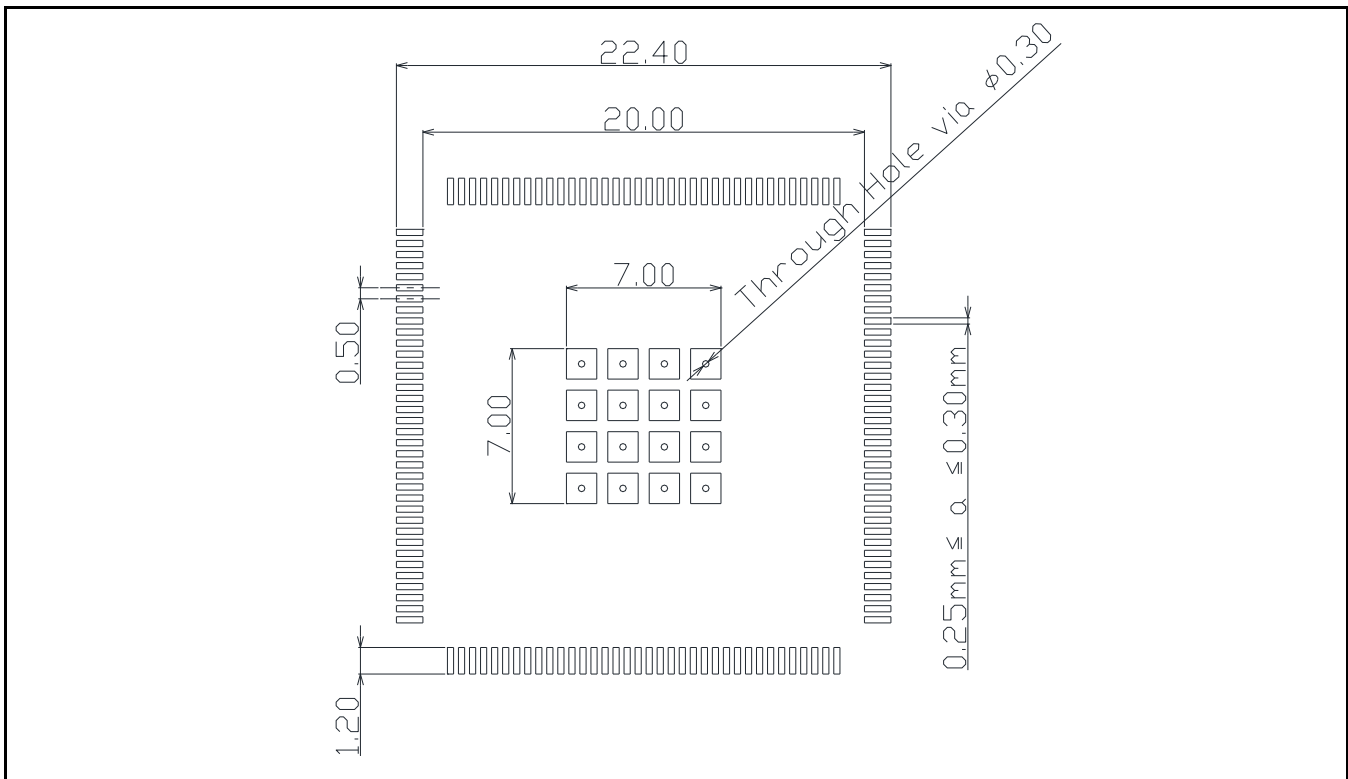
Figure12.2-1: Example thermal via holes on PCB.



Notes:

- Figure 12.2-1 is a schematic diagram showing PCB in section.
- Figure 12.2-2 in the following pages are recommended land patterns for each package series. Thermal via holes should closely be placed and aligned with lands.
- If you are considering application under any conditions other than listed herein, please contact sales representatives beforehand.

Figure 12.2-2: Land Pattern and Thermal Via LEU144



10.3 DC Characteristics

(T_A: Recommended operating conditions, V_{CC}=DV_{CC}=5.0 V ±10%, V_{SS}=DV_{SS}=AV_{SS}=0.0 V)

Parameter	Symbol	Pin Name	Conditions	Value			Unit	Remarks
				Min	Typ	Max		
"H" level input voltage	V _{IH1}	P000 to P001, P003, P005 to P010, P012 to P013, P015 to P024, P027 to P031, P100 to P101, P103, P105 to P109, P112 to P115, P117 to P120, P122 to P123, P126 to P131, P202 to P215, P218 to P220, P222 to P226, P327, P331, P400 to P409, P411, P413 to P414, P416 to P418, P420 to P421	CMOS Schmitt input level selected	0.7×V _{CC}	-	V _{CC} +0.3	V	
		P229 to P231, P300 to P302, P304 to P305, P307 to P309, P312 to P315, P317		0.7×DV _{CC}	-	DV _{CC} +0.3	V	

Parameter	Symbol	Pin Name	Conditions	Value			Unit	Remarks
				Min	Typ	Max		
"H" level input voltage	V _{IH2}	P000 to P001, P003, P005 to P010, P012 to P013, P015 to P024, P027 to P031, P100 to P101, P103, P105 to P109, P112 to P115, P117 to P120, P122 to P123, P126 to P131, P202 to P215, P218 to P220, P222 to P226, P327 to P331, P400 to P409, P411, P413 to P414, P416 to P418, P420 to P421	Automotive input level selected	0.8×V _{CC}	-	V _{CC} +0.3	V	
		P229 to P231, P300 to P302, P304 to P305, P307 to P309, P312 to P315, P317		0.8×DV _{CC}	-	DV _{CC} +0.3	V	
	V _{IH4}	RSTX, NMIX	-	0.7×V _{CC}	-	V _{CC} +0.3	V	
	V _{IH5}	MD	-	0.7×V _{CC}	-	V _{CC} +0.3	V	
	V _{IH6}	TRST, TCK, TDI, TMS	TTL input level	2.3	-	V _{CC} +0.3	V	

Parameter	Symbol	Pin Name	Conditions	Value			Unit	Remarks
				Min	Typ	Max		
"L" level input voltage	V _{IL1}	P000 to P001, P003, P005 to P010, P012 to P013, P015 to P024, P027 to P031, P100 to P101, P103, P105 to P109, P112 to P115, P117 to P120, P122 to P123, P126 to P131, P202 to P215, P218 to P220, P222 to P226, P327 to P331, P400 to P409, P411, P413 to P414, P416 to P418, P420 to P421	CMOS Schmitt input level selected	V _{ss} -0.3	-	0.3×V _{CC}	V	
		P229 to P231, P300 to P302, P304 to P305, P307 to P309, P312 to P315, P317		DV _{ss} -0.3	-	0.3×DV _{CC}	V	

Parameter	Symbol	Pin Name	Conditions	Value			Unit	Remarks
				Min	Typ	Max		
"L" level input voltage	V _{IL2}	P000 to P001, P003, P005 to P010, P012 to P013, P015 to P024, P027 to P031, P100 to P101, P103, P105 to P109, P112 to P115, P117 to P120, P122 to P123, P126 to P131, P202 to P215, P218 to P220, P222 to P226, P327, P331, P400 to P409, P411, P413 to P414, P416 to P418, P420 to P421	Automotive input level selected	V _{ss} -0.3	-	0.5×V _{CC}	V	
		P229 to P231, P300 to P302, P304 to P305, P307 to P309, P312 to P315, P317		DV _{ss} -0.3	-	0.5×DV _{CC}	V	
	V _{IL4}	RSTX, NMIX	-	V _{ss} -0.3	-	0.3×V _{CC}	V	
	V _{IL5}	MD	-	V _{ss} -0.3	-	0.3×V _{CC}	V	
	V _{IL6}	TRST, TCK, TDI, TMS	TTL input level	V _{ss} -0.3	-	0.8	V	

(TA: Recommended operating conditions, Vcc=DVcc=5.0 V ±10%, Vss=DVss=AVss=0.0 V)

Parameter	Symbol	Pin Name	Conditions	Value			Unit	Remarks
				Min	Typ	Max		
"H" level output voltage	V _{OH1}	P000 to P001, P003, P005 to P010, P012 to P013, P015 to P024, P027 to P031, P100 to P101, P103, P105 to P109, P112 to P115, P117 to P120, P122 to P123, P126 to P131, P202 to P215, P218 to P220, P222 to P226, P321 to P324, P327, P331, P400 to P401, P403 to P409, P411, P413 to P414, P416 to P418, P420 to P421	V _{CC} =4.5 V I _{OH} =-2.0 mA	V _{CC} -0.5	-	V _{CC}	V	
		P229 to P231, P300 to P302, P304 to P305, P307 to P309, P312 to P315, P317	DV _{CC} =4.5 V I _{OH} =-2.0 mA	DV _{CC} -0.5	-	DV _{CC}	V	

Parameter	Symbol	Pin Name	Conditions	Value			Unit	Remarks
				Min	Typ	Max		
"H" level output voltage	V _{OH2}	P000 to P001, P003, P005 to P010, P012 to P013, P015 to P024, P027 to P031, P100 to P101, P103, P105 to P109, P112 to P115, P117 to P120, P122 to P123, P126 to P131, P202 to P215, P218 to P220, P222 to P226, P321 to P324, P327, P331, P400 to P401, P403 to P409, P411, P413 to P414, P416 to P418, P420 to P421	V _{CC} =4.5 V I _{OH} =-1.0 mA	V _{CC} -0.5	-	V _{CC}	V	
		P229 to P231, P300 to P302, P304 to P305, P307 to P309, P312 to P315, P317	DV _{CC} =4.5 V I _{OH} =-1.0 mA	DV _{CC} -0.5	-	DV _{CC}	V	
"H" level output voltage	V _{OH3}	P229 to P231, P300 to P302, P304 to P305, P307 to P309, P312 to P315, P317	DV _{CC} =4.5 V I _{OH} =-30.0 mA	DV _{CC} -0.5	-	DV _{CC}	V	

Parameter	Symbol	Pin Name	Conditions	Value			Unit	Remarks
				Min	Typ	Max		
"L" level output voltage	V _{OL1}	P000 to P001, P003, P005 to P010, P012 to P013, P015 to P024, P027 to P031, P100 to P101, P103, P105 to P109, P112 to P115, P117 to P120, P122 to P123, P126 to P131, P202 to P215, P218 to P220, P222 to P226, P321 to P324, P327, P331, P400 to P401, P403 to P409, P411, P413 to P414, P416 to P418, P420 to P421	V _{CC} =4.5 V I _{OL} =2.0 mA	0	-	0.4	V	
		P229 to P231, P300 to P302, P304 to P305, P307 to P309, P312 to P315, P317	DV _{CC} =4.5 V I _{OL} =2.0 mA	0	-	0.4	V	
"L" level output voltage	V _{OL2}	P000 to P001, P003, P005 to P010, P012 to P013, P015 to P024, P027 to P031, P100 to P101, P103, P105 to P109, P112 to P115, P117 to P120, P122 to P123, P126 to P131, P202 to P215, P218 to P220, P222 to P226, P321 to P324, P327, P331, P400 to P401, P403 to P409, P411, P413 to P414, P416 to P418, P420 to P421	V _{CC} =4.5 V I _{OL} =1.0 mA	0	-	0.4	V	
		P229 to P231, P300 to P302, P304 to P305, P307 to P309, P312 to P315, P317	DV _{CC} =4.5 V I _{OL} =1.0 mA	0	-	0.4	V	

Parameter	Symbol	Pin Name	Conditions	Value			Unit	Remarks
				Min	Typ	Max		
"L" level output voltage	V_{OL3}	P229 to P231, P300 to P302, P304 to P305, P307 to P309, P312 to P315, P317	$DV_{CC}=4.5\text{ V}$ $I_{OL}=30.0\text{ mA}$	0	-	0.55	V	

(TA: Recommended operating conditions, V_{CC}=DV_{CC}=5.0 V ±10%, V_{SS}=DV_{SS}=AV_{SS}=0.0 V)

Parameter	Symbol	Pin Name	Conditions	Value			Unit	Remarks
				Min	Typ	Max		
Input leakage current	I _{IL}	All input pins	V _{CC} =DV _{CC} =AV _{CC} =5.5 V V _{SS} < V _I < V _{CC}	-5	-	+5	μA	
Pull-up resistor	R _{UP1}	RSTX, NMIX	-	25	-	100	kΩ	
	R _{UP2}	P000 to P001, P003, P005 to P010, P012 to P013, P015 to P024, P027 to P031, P100 to P101, P103, P105 to P109, P112 to P115, P117 to P120, P122 to P123, P126 to P131, P202 to P215, P218 to P220, P222 to P226, P229 to P231, P300 to P302, P304 to P305, P307 to P309, P312 to P315, P317, P327, P331, P400 to P409, P411, P413 to P414, P416 to P418, P420 to P421	Pull-up resistor selected	25	-	100	kΩ	
	R _{UP3}	TDI(P324), TMS, TCK	-	25	-	100	kΩ	

Parameter	Symbol	Pin Name	Conditions	Value			Unit	Remarks
				Min	Typ	Max		
Pull-down resistor	R _{DOWN1}	P000 to P001, P003, P005 to P010, P012 to P013, P015 to P024, P027 to P031, P100 to P101, P103, P105 to P109, P112 to P115, P117 to P120, P122 to P123, P126 to P131, P202 to P215, P218 to P220, P222 to P226, P229 to P231, P300 to P302, P304 to P305, P307 to P309, P312 to P315, P317, P327, P331, P400 to P409, P411, P413 to P414, P416 to P418, P420 to P421	Pull-down resistor selected	25	-	100	kΩ	
	R _{DOWN2}	TRST(P322)	-	25	-	100	kΩ	
Input capacitance	C _{IN}	Pins other than VCC, VSS, AVCC0, AVCC1, AVSS0, AVSS1	-	-	5	15	pF	

(TA: Recommended operating conditions, Vcc=DVcc=5.0 V ±10%, Vss=DVss=AVss=0.0 V)

Parameter	Symbol	Pin Name	Conditions	Value			Unit	Remarks
				Min	Typ	Max		
Power supply current S6J312x HzC* *x: A/9/8 z: A/B	I _{CC5}	VCC	Normal operation	-	90	195	mA	Operating at 128 MHz
			Flash write/erase	-	125	255	mA	Operating at 128 MHz
	I _{CCS5}		CPU Sleep	-	60	160	mA	Operating at 128 MHz
	I _{CT5}		Timer mode	-	480	1450	μA	T _A =25°C Slow-CR source Oscillation
	I _{CT5M}		Timer mode (Main OSC)	-	1340	2525	μA	T _A =25°C Main source Oscillation*
	I _{CH5}		Stop mode	-	480	1450	μA	T _A =25°C
	I _{CP}		PWU mode (Shutdown)	-	52.5	129.7	μA	T _A =25°C (PWU operation cycle 16ms)
				-	46.2	115.5	μA	T _A =25°C (PWU operation cycle 32ms)
	I _{CT52}		Timer mode (Shutdown)	-	40	100	μA	T _A =25°C Slow-CR source Oscillation
	I _{CT52M}		Timer mode (Main OSC) (Shut down)	-	350	520	μA	T _A =25°C Main source Oscillation*
	I _{CH52}		Stop mode (Shutdown)	-	40	100	μA	T _A =25°C

Refer to Hardware manual "APPENDIX State transition" for Internal clock frequency setting / Setting of the power domain / Regulator setting.

*: The external load capacitance connected to X0/X1 is considered as 10pF.

(T_A: Recommended operating conditions, V_{CC}=DV_{CC}=5.0 V ±10%, V_{SS}=DV_{SS}=AV_{SS}=0.0 V)

Parameter	Symbol	Pin Name	Conditions	Value			Unit	Remarks
				Min	Typ	Max		
High current Output drive Capacity Phase to phase deviation1	ΔV_{OH3}	PWM1Pn, PWM1Mn, PWM2Pn, PWM2Mn (n=0 to 3)	DV _{CC} =4.5V I _{OH} =-30.0mA Maximum deviation of V _{OH3}	-	-	90	mV	*
High current Output drive Capacity Phase to phase Deviation2	ΔV_{OL3}	PWM1Pn, PWM1Mn, PWM2Pn, PWM2Mn (n=0 to 3)	DV _{CC} =4.5V I _{OH} =-30.0mA Maximum deviation of V _{OL3}	-	-	90	mV	*
LCD divider resistor	R _{LCD}	V0 to V1, V1 to V2, V2 to V3	-	6.25	12.5	25	kΩ	
COM0 to COM3 output impedance	R _{VCOM}	COMm (m=0 to 3)	-	-	-	4.5	kΩ	
SEG00 to SEG31 output impedance	R _{VSEG}	SEGN (n=00 to 31)	-	-	-	17	kΩ	
LCDC leak current	I _{LCDC}	V0 to V3, COMm (m=0 to 3) SEGN (n=00 to 31)	T _A =25°C	-0.5	-	+0.5	μA	

*: If PWM1P0/PWM1M0/PWM2P0/PWM2M0 of ch.0 is turned on simultaneously, the maximum deviation of V_{OH3}/V_{OL3} for each pin is defined. Same for other channels.

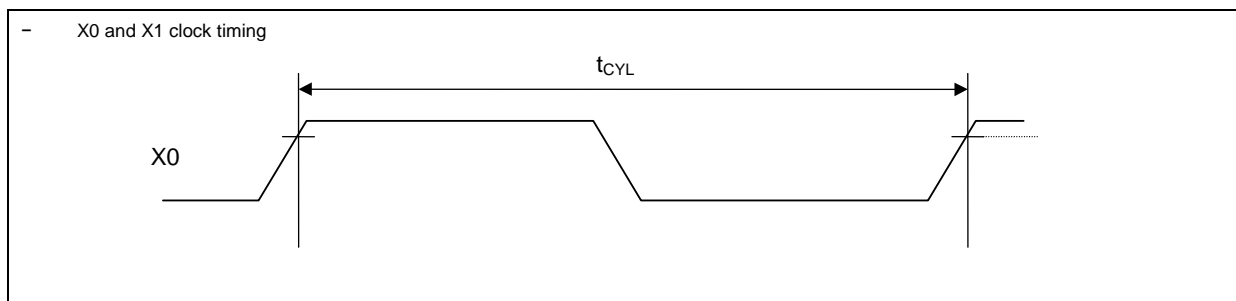
10.4 AC Characteristics

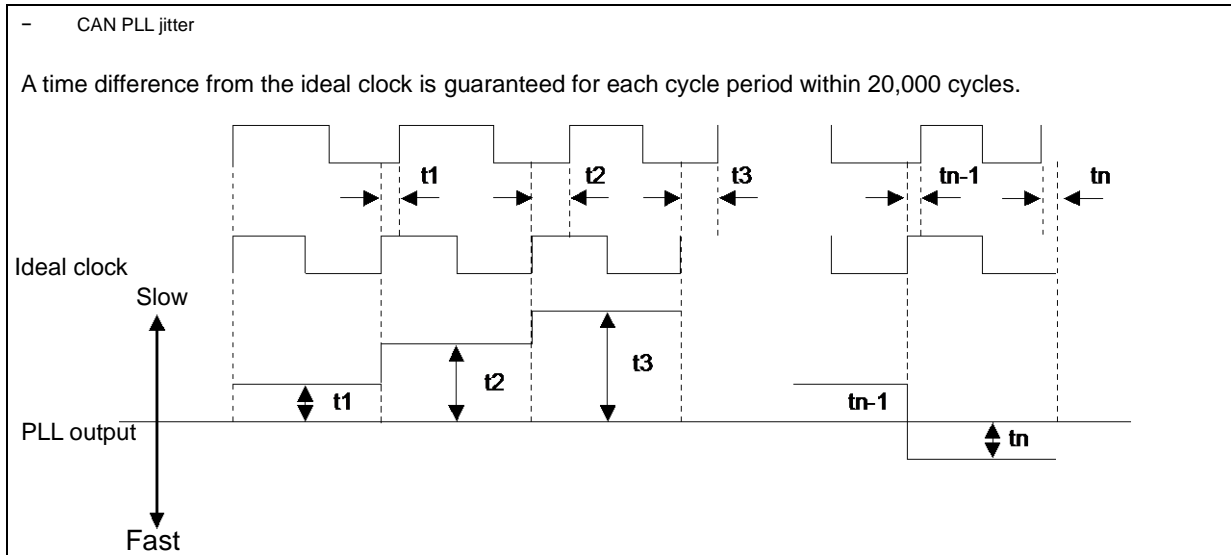
10.4.1 Source Clock Timing

(TA: Recommended operating conditions, Vcc=DVcc=5.0 V ±10%, Vss=DVss=AVss=0.0 V)

Parameter	Symbol	Pin Name	Conditions	Value			Unit	Remarks
				Min	Typ	Max		
Source oscillation clock frequency	F _C	X0, X1	-	-	4	-	MHz	
Source oscillation clock cycle time	t _{CYL}	X0, X1	-	-	250	-	ns	
CAN PLL jitter (during lock)	t _{PJ}	-	-	-10	-	+10	ns	*
Built-in slow-CR oscillation frequency	F _{CRS}	-	-	50	100	150	kHz	
Built-in fast-CR oscillation frequency	F _{CRF}	-	-	2.4	4	6.0	MHz	
PLL input clock frequency	F _{PLLI}	-	-	-	4	-	MHz	
PLL macro oscillation clock frequency	F _{PLLO}	-	-	400	-	512	MHz	
SSCG-PLL input clock frequency	F _{SSCGPLLI}	-	-	-	4	-	MHz	
SSCG-PLL macro oscillation clock frequency	F _{SSCGPLLO}	-	-	400	-	512	MHz	

*: The maximum/minimum values have been standardized with the main clock and PLL clock in use.





10.4.2 Internal Clock Timing

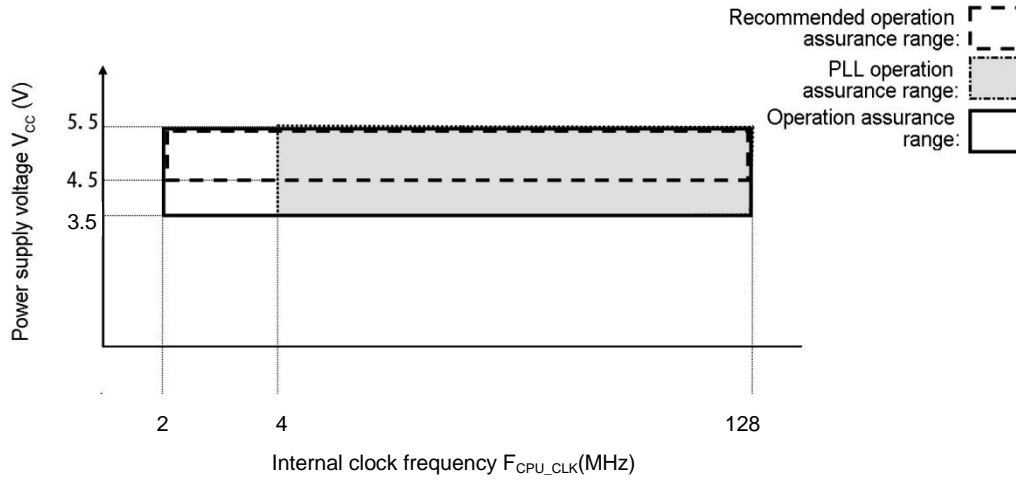
(TA: Recommended operating conditions, Vcc=DVcc=5.0 V ±10%, Vss=DVss=AVss=0.0 V)

Parameter	Symbol	Pin Name	Conditions	S6J312xHzC* Value * x:A/9/8, z:A/B			Unit	Remarks
				Min	Typ	Max		
Internal Clock Frequency	FCLK_CPU	-	-	-	-	128	MHz	CLK_CPU
	FCLK_FCLK	-	-	-	-	64	MHz	CLK_FCLK
	FCLK_ATB	-	-	-	-	64	MHz	CLK_ATB
	FCLK_DBG	-	-	-	-	64	MHz	CLK_DBG
	FCLK_HPM	-	-	-	-	32	MHz	CLK_HPM
	FCLK_HPM2	-	-	-	-	16	MHz	CLK_HPM2
	FCLK_DMA	-	-	-	-	32	MHz	CLK_DMA
	FCLK_MEMC	-	-	-	-	32	MHz	CLK_MEMC
	FCLK_EXTBUS	-	-	-	-	25	MHz	CLK_EXTBUS
	FCLK_SYSC1	-	-	-	-	32	MHz	CLK_SYSC1
	FCLK_HAPP0A0	-	-	-	-	32	MHz	CLK_HAPP0A0
	FCLK_HAPP0A1	-	-	-	-	32	MHz	CLK_HAPP0A1
	FCLK_HAPP1B0	-	-	-	-	32	MHz	CLK_HAPP1B0
	FCLK_HAPP1B1	-	-	-	-	32	MHz	CLK_HAPP1B1
	FCLK_LLPCM	-	-	-	-	128	MHz	CLK_LLPCM
	FCLK_LLPCM2	-	-	-	-	64	MHz	CLK_LLPCM2
	FCLK_LCP	-	-	-	-	64	MHz	CLK_LCP
	FCLK_LCP0	-	-	-	-	32	MHz	CLK_LCP0
	FCLK_LCP0A	-	-	-	-	32	MHz	CLK_LCP0A
	FCLK_LCP1	-	-	-	-	32	MHz	CLK_LCP1
	FCLK_LCP1A	-	-	-	-	32	MHz	CLK_LCP1A
	FCLK_LAPP0	-	-	-	-	32	MHz	CLK_LAPP0
	FCLK_LAPP0A	-	-	-	-	32	MHz	CLK_LAPP0A
	FCLK_LAPP1	-	-	-	-	32	MHz	CLK_LAPP1
	FCLK_LAPP1A	-	-	-	-	32	MHz	CLK_LAPP1A
	FCLK_TRC	-	-	-	-	64	MHz	CLK_TRC
	FCLK_HSSPI	-	-	-	-	32	MHz	CLK_HSSPI
	FCLK_SYSC0H	-	-	-	-	32	MHz	CLK_SYSC0H
	FCLK_COMH	-	-	-	-	32	MHz	CLK_COMH
	FCLK_RAM0H	-	-	-	-	32	MHz	CLK_RAM0H
	FCLK_RAM1H	-	-	-	-	32	MHz	CLK_RAM1H
	FCLK_SYSC0P	-	-	-	-	32	MHz	CLK_SYSC0P
	FCLK_COMP	-	-	-	-	32	MHz	CLK_COMP
	FANFD_CCLK	-	-	-	-	40	MHz	CANFD_CCLK

Parameter	Symbol	Pin Name	Conditions	S6J312xHzC* Value * x:A/9/8, z:A/B			Unit	Remarks
				Min	Typ	Max		
Internal clock cycle time	tCLK_CPU	-	-	7.82	-	-	ns	CLK_CPU
	tCLK_FLASH	-	-	15.64	-	-	ns	CLK_FCLK
	tCLK_ATB	-	-	15.64	-	-	ns	CLK_ATB
	tCLK_DBG	-	-	15.64	-	-	ns	CLK_DBG
	tCLK_HPM	-	-	31.28	-	-	ns	CLK_HPM
	tCLK_HPM2	-	-	62.54	-	-	ns	CLK_HPM2
	tCLK_DMA	-	-	31.28	-	-	ns	CLK_DMA
	tCLK_MEMC	-	-	31.28	-	-	ns	CLK_MEMC
	tCLK_EXTBUS	-	-	40.00	-	-	ns	CLK_EXTBUS
	tCLK_SYSC1	-	-	31.28	-	-	ns	CLK_SYSC1
	tCLK_HAPP0A0	-	-	31.28	-	-	ns	CLK_HAPP0A0
	tCLK_HAPP0A1	-	-	31.28	-	-	ns	CLK_HAPP0A1
	tCLK_HAPP1B0	-	-	31.28	-	-	ns	CLK_HAPP1B0
	tCLK_HAPP1B1	-	-	31.28	-	-	ns	CLK_HAPP1B1
	tCLK_LLPBM	-	-	7.82	-	-	ns	CLK_LLPBM
	tCLK_LLPBM2	-	-	15.64	-	-	ns	CLK_LLPBM2
	tCLK_LCP	-	-	15.64	-	-	ns	CLK_LCP
	tCLK_LCP0	-	-	31.28	-	-	ns	CLK_LCP0
	tCLK_LCP0A	-	-	31.28	-	-	ns	CLK_LCP0A
	tCLK_LCP1	-	-	31.28	-	-	ns	CLK_LCP1
	tCLK_LCP1A	-	-	31.28	-	-	ns	CLK_LCP1A
	tCLK_LAPP0	-	-	31.28	-	-	ns	CLK_LAPP0
	tCLK_LAPP0A	-	-	31.28	-	-	ns	CLK_LAPP0A
	tCLK_LAPP1	-	-	31.28	-	-	ns	CLK_LAPP1
	tCLK_LAPP1A	-	-	31.28	-	-	ns	CLK_LAPP1A
	tCLK_TRC	-	-	15.64	-	-	ns	CLK_TRC
	tCLK_HSSPI	-	-	31.28	-	-	ns	CLK_HSSPI
	tCLK_SYSC0H	-	-	31.28	-	-	ns	CLK_SYSC0H
	tCLK_COMH	-	-	31.28	-	-	ns	CLK_COMH
	tCLK_RAM0H	-	-	31.28	-	-	ns	CLK_RAM0H
	tCLK_RAM1H	-	-	31.28	-	-	ns	CLK_RAM1H
	tCLK_SYSC0P	-	-	31.28	-	-	ns	CLK_SYSC0P
	tCLK_COMP	-	-	31.28	-	-	ns	CLK_COMP
tCANFD_CCLK	-	-	25.00	-	-	ns	CANFD_CCLK	

- Guaranteed operation range

Internal operation clock frequency vs. Power supply voltage

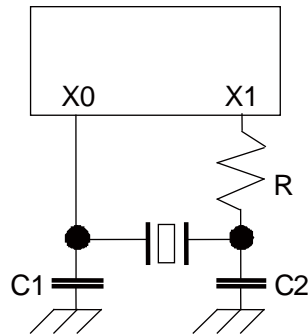


Note: A supply voltage that is equal to or less than the set voltage for low-voltage detection causes a reset.

Relationship between the oscillation clock frequency and internal clock frequency

Oscillation Clock Frequency	Main Clock	PLL Multiplier Setting	PLL Output Division Setting	PLL Clock
4 MHz	4 MHz	128	4	128 MHz
4 MHz	4 MHz	120	6	80 MHz

- Oscillation circuit example



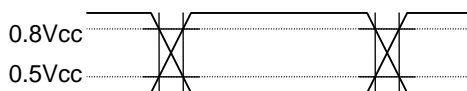
Notes:

- When configuring the oscillator circuit, it is recommended to ask matching evaluation of the circuit to oscillator manufacturers for the design.
- The maximum PLL clock frequency must be 128MHz.
Output division configuration can be set by the following.
 - PLLDIVM bit in SYSC0_RUNPLL0CNTR register
 - PLLDIVM bit in SYSC0_PSSPLL0CNTR register
 - SSCGDIVM bit in SYSC0_RUNSSCG0CNTR0 register
 - SSCGDIVM bit in SYSC0_PSSSSCG0CNTR0 register
 (e.g. If PLLout is 448MHz, these settings must be configured as "multiply by 4" and over multiplication setting)

AC characteristics are specified by the following measurement reference voltage values.

- Input signal waveform

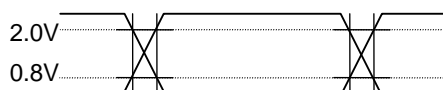
Hysteresis input pin (Automotive)



Hysteresis input pin (CMOS Schmitt)

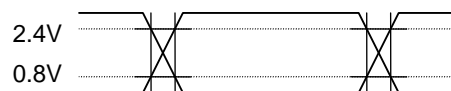


Hysteresis input pin (TTL)



- Output signal waveform

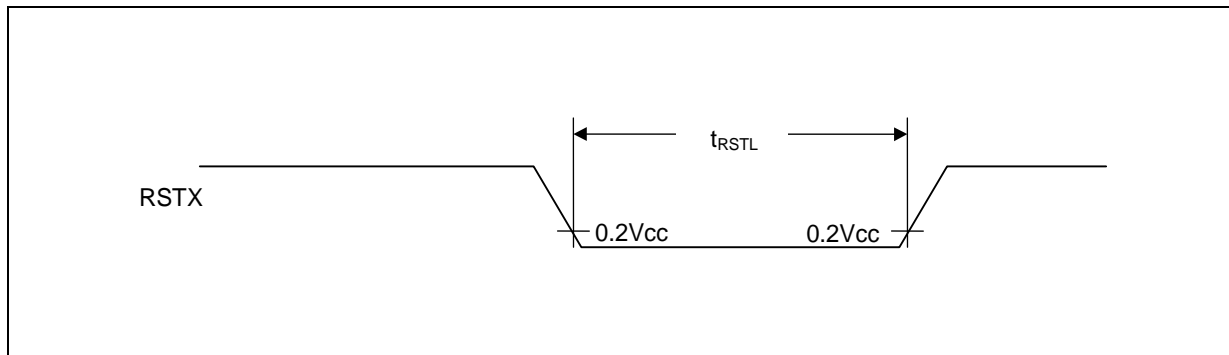
Output pin



10.4.3 Reset Input

(T_A: Recommended operating conditions, V_{CC}=DV_{CC}=5.0 V ±10%, V_{SS}=DV_{SS}=AV_{SS}=0.0 V)

Parameter	Symbol	Pin Name	Conditions	Value		Unit	Remarks
				Min	Max		
Reset input time	t _{RSTL}	RSTX	-	10	-	μs	
Width for reset input removal				1	-	μs	



10.4.4 Power-on Conditions

(TA: Recommended operating conditions, V_{SS}=0.0 V)

Parameter	Symbol	Pin Name	Condition s	Value			Unit	Remarks
				Min	Typ	Max		
Level detection voltage	-	VCC	-	2.15	2.35	2.55	V	
Level detection hysteresis width	-	VCC	-	-	100	-	mV	
Level detection time	-	-	-	-	-	540	μs	*1
Level release voltage	-	VCC	-	2.25	2.45	2.65	V	
Power off time	-	VCC	-	1	-	-	ms	*2
Power ramp rate	dV/dt	VCC	VCC: 0.2V to 2.55V	-	-	6	mV/μs	*3
Maximum ramp rate guaranteed to not generate power-on reset	dV/dt	VCC	VCC: Between 2.6V and 4.5V	-	-	50	mV/μs	*4

*1: If a power fluctuation precedes the low-voltage detection time, the detection may occur or be canceled after the supply voltage passes the detection voltage range.

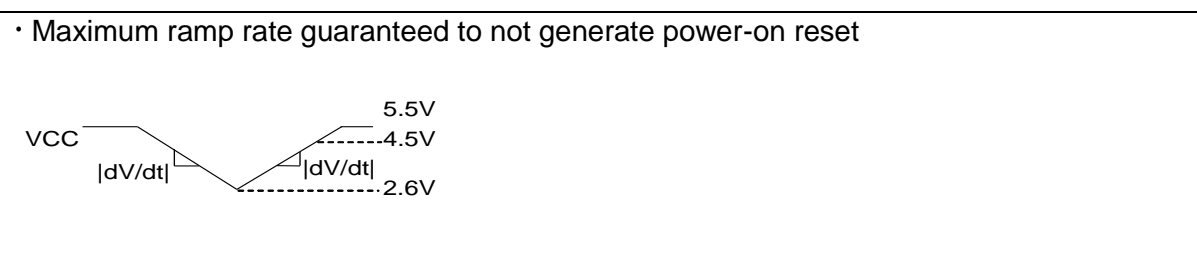
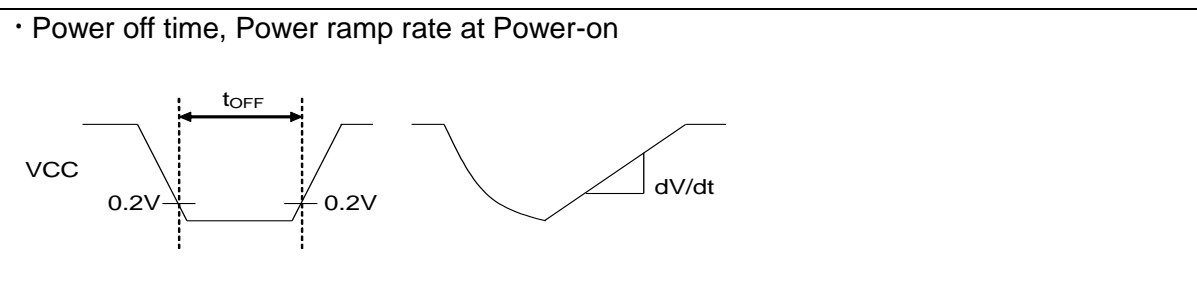
*2: If VCC is held below 0.2V for a minimum period of t_{OFF}, power-on reset will occur. If t_{OFF} is not satisfied, power-on reset will still occur if the power ramp rate is kept below 6mV/μs.

*3: This is the power ramp rate with which power-on reset will always occur regardless of power-off time, as mentioned in *2.

*4: When VCC is within 2.6V - 4.5V, and VCC fluctuation is below 50mV/μs, the power-on reset is suppressed. Between 4.5V - 5.5V, the power-on reset does not occur with any VCC fluctuation.

Note:

When neither *2 nor *3 can be satisfied, assert external reset (RSTX) at power-up and at any brownout event.



10.4.5 Clock Output Timing

(T_A: Recommended operating conditions, V_{CC}=DV_{CC}=5.0 V ±10%, V_{SS}=DV_{SS}=AV_{SS}=0.0 V)

(External load capacitance 16pF)

Parameter	Symbol	Pin Name	Conditions	Value		Unit	Remarks
				Min	Max		
Cycle time	t _{CYC}	MCLK	2mA is selected in ODR bit in PPC_PCFG R register.	40	-	ns	
Clock high width *1	t _{CHCL}	MCLK		d _H t _{CYC} - 7	d _H t _{CYC} + 7	ns	
Clock low width *2	t _{CLCH}	MCLK		d _L t _{CYC} - 7	d _L t _{CYC} + 7	ns	

*1: If division-ratio is even value, d_H is equivalent to 0.5.

Otherwise, d_H is calculated as the following.

d_H = The number rounding "division-ratio x 0.5" down to the nearest integer / division-ratio

division-ratio is multiplication value among SYSDIV bit, HPMDIV bit and EXTBUSDIV bit setting.

ex). Setting SYSDIV to 1-division, HPMDIV to 7-division, EXTBUSDIV to 1-division, d_H is calculated as 0.429.

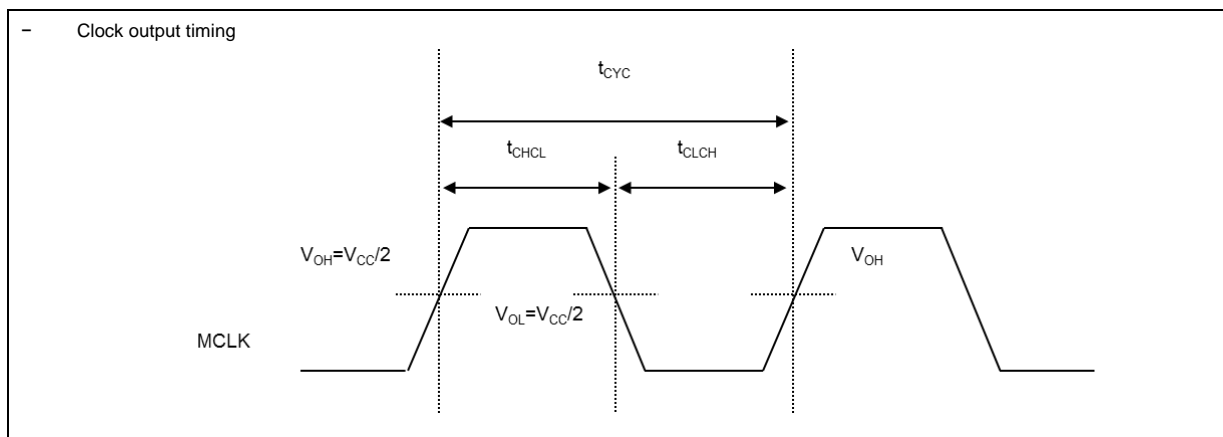
*2: If division-ratio is even value, d_L is equivalent to 0.5.

Otherwise, d_L is calculated as the following.

d_L = The number rounding "division-ratio x 0.5" up to the nearest integer / division-ratio

division-ratio is multiplication value among SYSDIV bit, HPMDIV bit and EXTBUSDIV bit setting.

ex). Setting SYSDIV to 1-division, HPMDIV to 7-division, EXTBUSDIV to 1-division, d_L is calculated as 0.571.



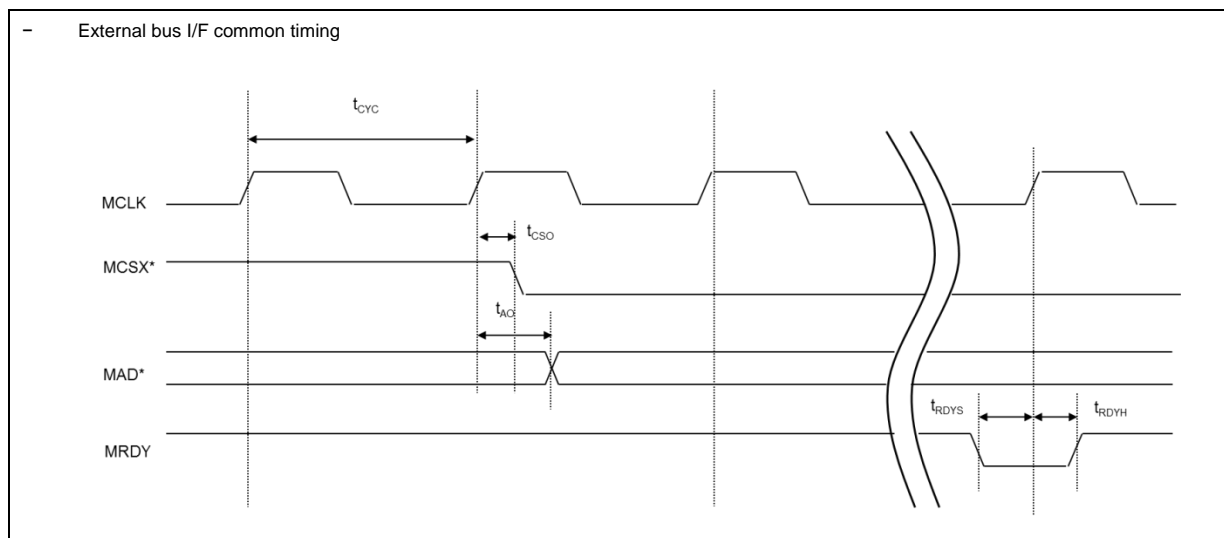
10.4.6 External Bus Interface Timing

10.4.6.1 Common Timing Between Read and Write

(T_A: Recommended operating conditions, V_{CC}=DV_{CC}=5.0 V ±10%, V_{SS}=DV_{SS}=AV_{SS}=0.0 V)

(External load capacitance 16pF)

Parameter	Symbol	Pin Name	Conditions	Value		Unit	Remarks
				Min	Max		
Cycle time (without MRDY)	t _{CYC}	MCLK	2mA is selected in ODR bit in PPC_PCFGR register.	40	-	ns	
Cycle time (with MRDY)	t _{CYC}	MCLK		50	-	ns	If using MRDY, set MCLK to 20MHz or less.
CS delay time	t _{CSO}	MCLK, MCSX0 to MCSX3		0.5	18	ns	
Address delay time	t _{AO}	MCLK, MAD00 to MAD23		0.5	18	ns	
RDY setup time	t _{RDYS}	MCLK, MRDY	"CMOS Schmitt input" and "Disable noise filter" are selected in PPC_PCFGR register.	21	-	ns	
RDY hold time	t _{RDYH}	MCLK, MRDY		0	-	ns	

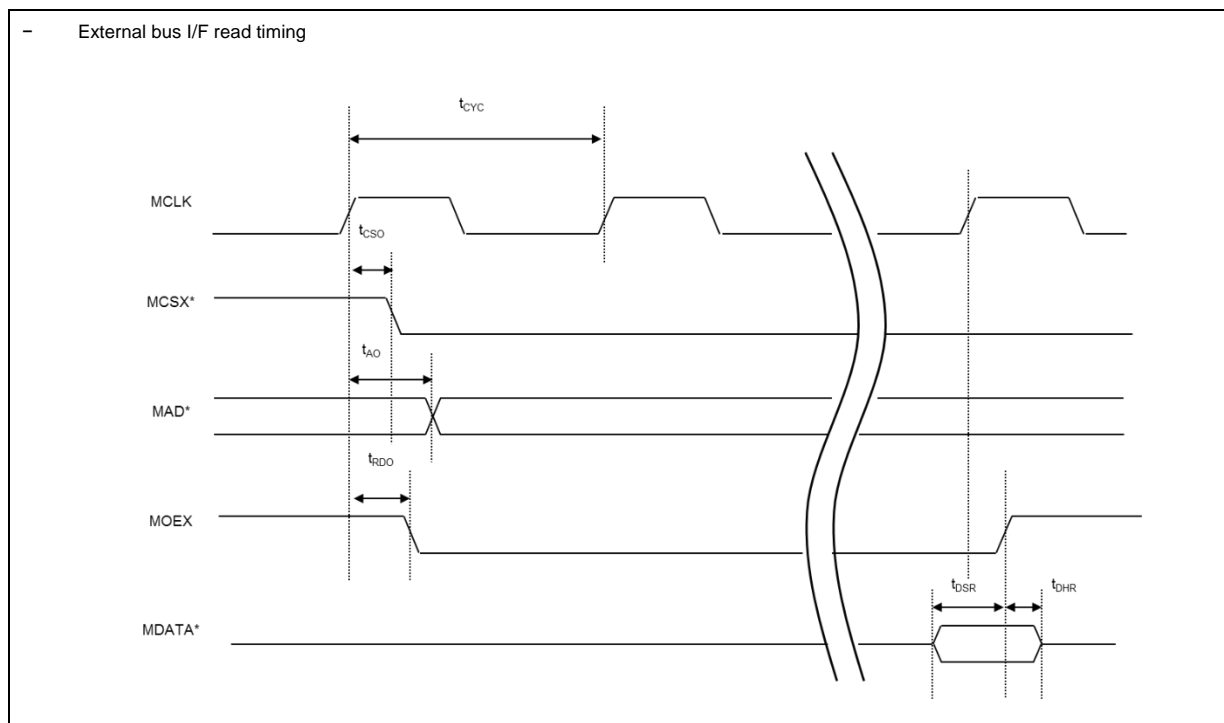


10.4.6.2 Read Timing

(T_A: Recommended operating conditions, V_{CC}=DV_{CC}=5.0 V ±10%, V_{SS}=DV_{SS}=AV_{SS}=0.0 V)

(External load capacitance 16pF)

Parameter	Symbol	Pin Name	Conditions	Value		Unit	Remarks
				Min	Max		
Data setup time	t _{DSR}	MOEX, MDATA00 to MDATA15	"CMOS Schmitt input" and "Disable noise filter" are selected in PPC_PCFGR register.	21+t _{cy} _c	-	ns	
Data hold time	t _{DHR}	MOEX, MDATA00 to MDATA15		0	-	ns	
MOEX delay time	t _{RDO}	MCLK, MOEX	2mA is selected in ODR bit in PPC_PCFGR register.	0.5	18	ns	

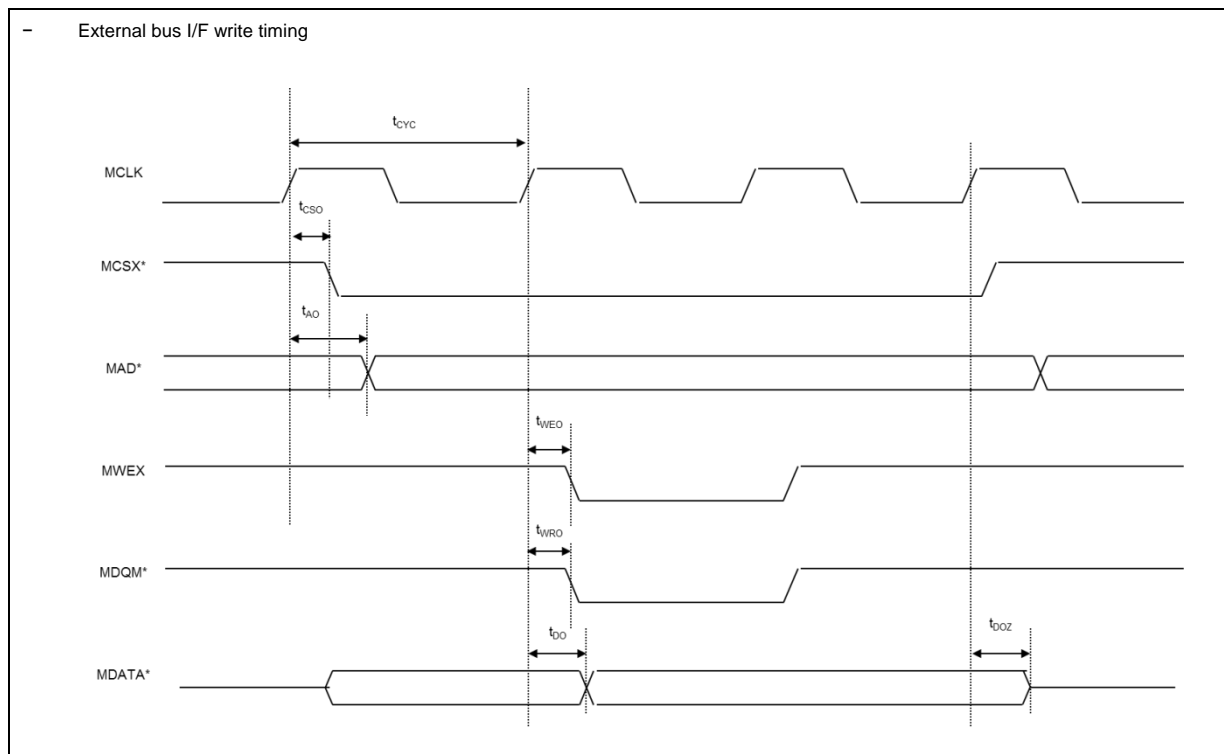


10.4.6.3 Write Timing

(T_A: Recommended operating conditions, V_{CC}=DV_{CC}=5.0 V ±10%, V_{SS}=DV_{SS}=AV_{SS}=0.0 V)

(External load capacitance 16pF)

Parameter	Symbol	Pin Name	Conditions	Value		Unit	Remarks
				Min	Max		
MWEX delay time	t _{WEO}	MCLK, MWEX	2mA is selected in ODR bit in PPC_PCFGFR register.	0.5	18	ns	
Byte mask delay time	t _{WRO}	MCLK, MDQM0 to MDQM1		0.5	18	ns	
Data delay time	t _{DO}	MCLK, MDATA00 to MDATA15		0.5	18	ns	
Data delay time (Hi-Z output)	t _{DOZ}	MCLK, MDATA00 to MDATA15		-	18	ns	



10.4.7 Multi-Function Serial
10.4.7.1 CSIO Timing (SMR:MD[2:0]=010B)
(5-1-1) Normal Synchronous Transfer (SCR:SPI=0) and Serial Clock Output Signal Detect Level "H" (SMR:SCINV=0)

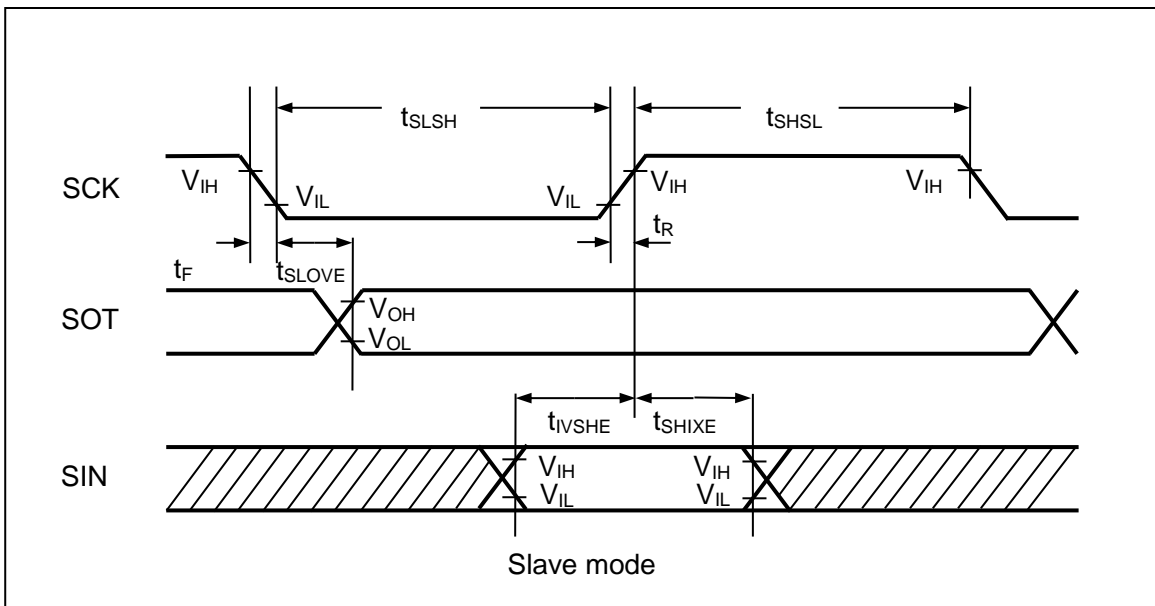
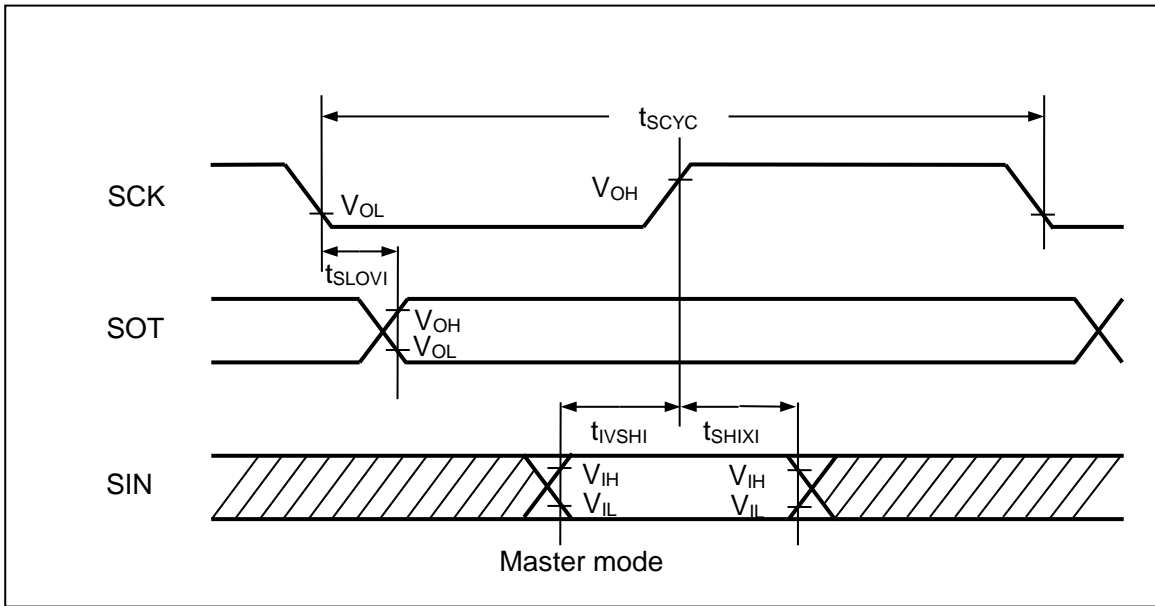
(TA: Recommended operating conditions, Vcc=DVcc=5.0 V ±10%, Vss=DVss=AVss=0.0 V)

Parameter	Symbol	Pin Name	Conditions	Value		Unit	Remarks
				Min	Max		
Serial clock cycle time	t _{SCYC}	SCK0 to SCK4, SCK8 to SCK12	Master mode (CL=50pF, I _{OL} =-2mA, I _{OH} =2mA), (CL=20pF, I _{OL} =-1mA, I _{OH} =1mA)	4t _{CLK_LCPnA} *	-	ns	
SCK ↓ → SOT delay time	t _{SLOVI}	SCK0 to SCK4, SCK8 to SCK12, SOT0 to SOT4, SOT8 to SOT12		-30	+30	ns	
Valid SIN → SCK ↑ setup time	t _{IVSHI}	SCK0 to SCK4, SCK8 to SCK12, SIN0 to SIN4, SIN8 to SIN12		30	-	ns	
SCK ↑ → Valid SIN hold time	t _{SHIXI}	SIN8 to SIN12		0	-	ns	
Serial clock "H" pulse width	t _{SHSL}	SCK0 to SCK4, SCK8 to SCK12	Slave mode (CL=50pF, I _{OL} =-2mA, I _{OH} =2mA), (CL=20pF, I _{OL} =-1mA, I _{OH} =1mA)	t _{CLK_LCPnA} * +10	-	ns	
Serial clock "L" pulse width	t _{SLSH}			2t _{CLK_LCPnA} * -10	-	ns	
SCK ↓ → SOT delay time	t _{SLOVE}	SCK0 to SCK4, SCK8 to SCK12, SOT0 to SOT4, SOT8 to SOT12		-	30	ns	
Valid SIN → SCK ↑ setup time	t _{IVSHE}	SCK0 to SCK4, SCK8 to SCK12, SIN0 to SIN4, SIN8 to SIN12		10	-	ns	
SCK ↑ → Valid SIN hold time	t _{SHIXE}	SIN8 to SIN12		20	-	ns	
SCK fall time	t _F	SCK0 to SCK4, SCK8 to SCK12		-	5	ns	
SCK rise time	t _R	SCK0 to SCK4, SCK8 to SCK12		-	5	ns	

*: n=0:ch.0 to ch.4, n=1:ch.8 to ch.12

Notes:

- This is the AC characteristic in CLK synchronized mode.
- CL is the load capacitance applied to pins during testing.
- The maximum baud rate is limited by the internal operating clock used and other parameters. For details, see the hardware manual.



(5-1-2) Normal Synchronous Transfer (SCR:SPI=0) and Serial Clock Output Signal Detect Level "L" (SMR:SCINV=1)

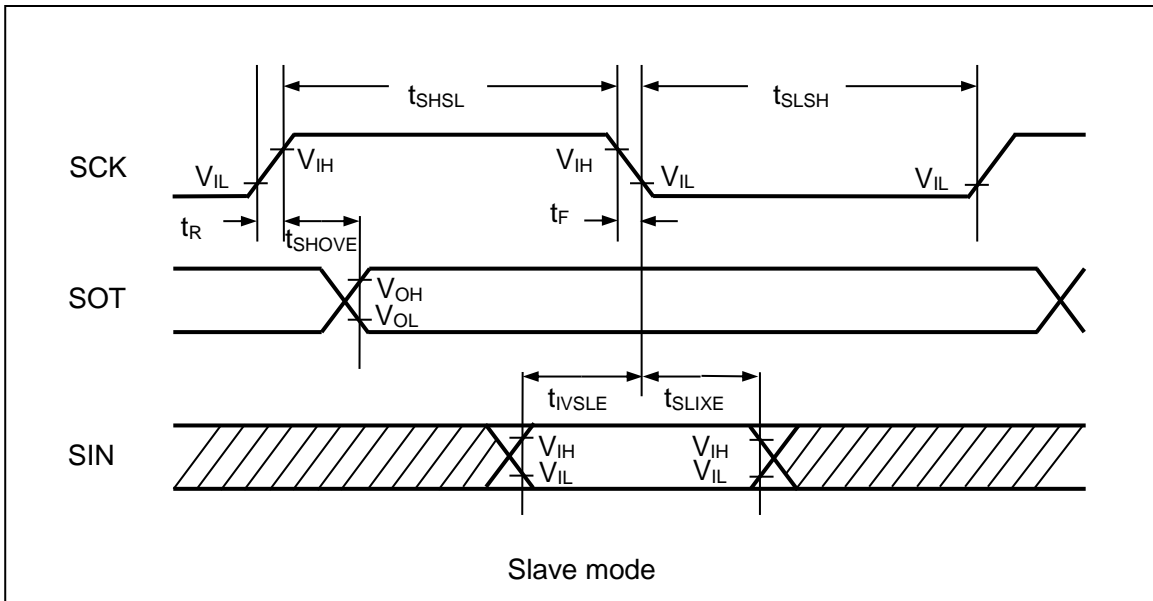
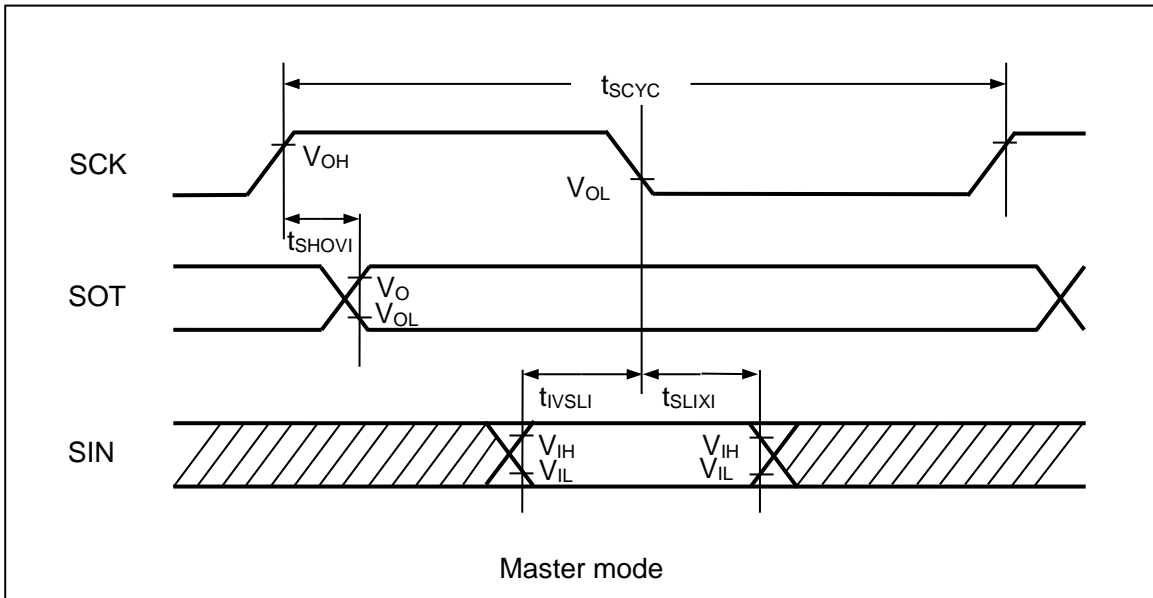
(TA: Recommended operating conditions, Vcc=DVcc=5.0 V ±10%, Vss=DVss=AVss=0.0 V)

Parameter	Symbol	Pin Name	Conditions	Value		Unit	Remarks
				Min	Max		
Serial clock cycle time	t _{SCYC}	SCK0 to SCK4, SCK8 to SCK12	Master mode (CL=50pF, I _{OL} =-2mA, I _{OH} =2mA), (CL=20pF, I _{OL} =-1mA, I _{OH} =1mA)	4t _{CLK_LCPnA} *	-	ns	
SCK ↑ → SOT delay time	t _{SHOVI}	SCK0 to SCK4, SCK8 to SCK12, SOT0 to SOT4, SOT8 to SOT12		-30	+30	ns	
Valid SIN → SCK ↓ setup time	t _{IVSLI}	SCK0 to SCK4, SCK8 to SCK12, SIN0 to SIN4, SIN8 to SIN12		30	-	ns	
SCK ↓ → Valid SIN hold time	t _{SLIXI}	SIN8 to SIN12		0	-	ns	
Serial clock "H" pulse width	t _{SHSL}	SCK0 to SCK4, SCK8 to SCK12	Slave mode (CL=50pF, I _{OL} =-2mA, I _{OH} =2mA), (CL=20pF, I _{OL} =-1mA, I _{OH} =1mA)	t _{CLK_LCPnA} * +10	-	ns	
Serial clock "L" pulse width	t _{SLSH}			2t _{CLK_LCPnA} * -10	-	ns	
SCK ↑ → SOT delay time	t _{SHOVE}	SCK0 to SCK4, SCK8 to SCK12, SOT0 to SOT4, SOT8 to SOT12		-	30	ns	
Valid SIN → SCK ↓ setup time	t _{IVSLE}	SCK0 to SCK4, SCK8 to SCK12, SIN0 to SIN4, SIN8 to SIN12		10	-	ns	
SCK ↓ → Valid SIN hold time	t _{SLIXE}	SIN8 to SIN12		20	-	ns	
SCK fall time	t _F	SCK0 to SCK4, SCK8 to SCK12		-	5	ns	
SCK rise time	t _R	SCK0 to SCK4, SCK8 to SCK12		-	5	ns	

*: n=0:ch.0 to ch.4, n=1:ch.8 to ch.12

Notes:

- This is the AC characteristic in CLK synchronized mode.
- CL is the load capacitance applied to pins during testing.
- The maximum baud rate is limited by the internal operating clock used and other parameters. For details, see the hardware manual.



(5-1-3) SPI Supported (SCR:SPI=1), and Serial Clock Output Signal Detect Level "H" (SMR:SCINV=0)

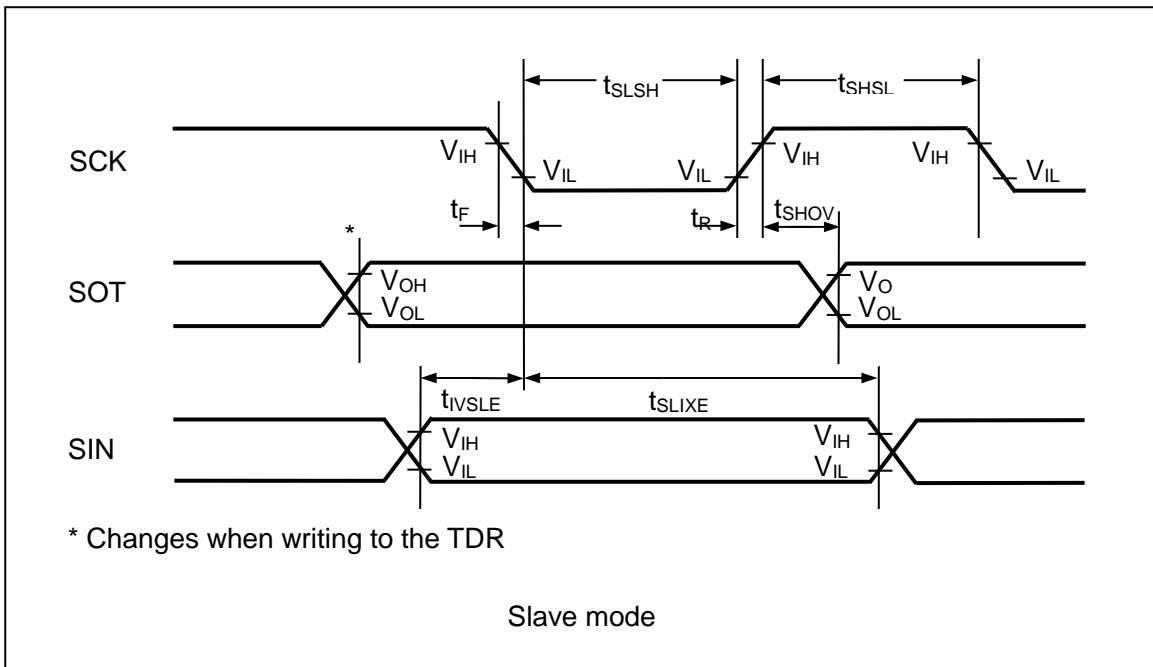
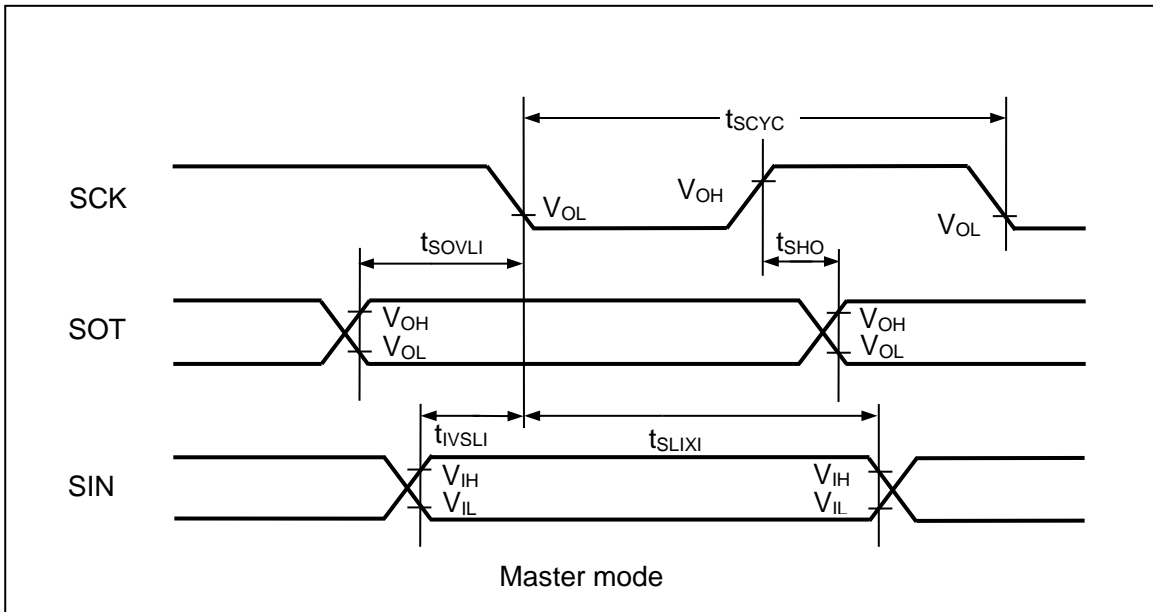
(TA: Recommended operating conditions, Vcc=DVcc=5.0 V ±10%, Vss=DVss=AVss=0.0 V)

Parameter	Symbol	Pin Name	Conditions	Value		Unit	Remarks
				Min	Max		
Serial clock cycle time	t _{SCYC}	SCK0 to SCK4, SCK8 to SCK12	Master mode (CL=50pF, I _{OL} =-2mA, I _{OH} =2mA), (CL=20pF, I _{OL} =-1mA, I _{OH} =1mA)	4t _{CLK_LCPnA} *	-	ns	
SCK ↑ → SOT delay time	t _{SHOVI}	SCK0 to SCK4, SCK8 to SCK12, SOT0 to SOT4, SOT8 to SOT12		-30	+30	ns	
Valid SIN → SCK ↓ setup time	t _{IVSLI}	SCK0 to SCK4, SCK8 to SCK12, SIN0 to SIN4, SIN8 to SIN12		30	-	ns	
SCK ↓ → Valid SIN hold time	t _{SLIXI}	SIN8 to SIN12		0	-	ns	
SOT → SCK ↓ delay time	t _{SOVLI}	SCK0 to SCK4, SCK8 to SCK12, SOT0 to SOT4, SOT8 to SOT12		2t _{CLK_LCPnA} * -30	-	ns	
Serial clock "H" pulse width	t _{SHSL}	SCK0 to SCK4, SCK8 to SCK12	Slave mode (CL=50pF, I _{OL} =-2mA, I _{OH} =2mA), (CL=20pF, I _{OL} =-1mA, I _{OH} =1mA)	t _{CLK_LCPnA} * +10	-	ns	
Serial clock "L" pulse width	t _{SLSH}	SCK8 to SCK12		2t _{CLK_LCPnA} * -10	-	ns	
SCK ↑ → SOT delay time	t _{SHOVE}	SCK0 to SCK4, SCK8 to SCK12, SOT0 to SOT4, SOT8 to SOT12		-	30	ns	
Valid SIN → SCK ↓ setup time	t _{IVSLE}	SCK0 to SCK4, SCK8 to SCK12, SIN0 to SIN4, SIN8 to SIN12		10	-	ns	
SCK ↓ → Valid SIN hold time	t _{SLIXE}	SIN8 to SIN12		20	-	ns	
SCK fall time	t _F	SCK0 to SCK4, SCK8 to SCK12		-	5	ns	
SCK rise time	t _R	SCK0 to SCK4, SCK8 to SCK12		-	5	ns	

*: n=0:ch.0 to ch.4, n=1:ch.8 to ch.12

Notes:

- This is the AC characteristic in CLK synchronized mode.
- CL is the load capacitance applied to pins during testing.
- The maximum baud rate is limited by the internal operating clock used and other parameters. For details, see the hardware manual.



(5-1-4) SPI Supported (SCR:SPI=1), and Serial Clock Output Signal Detect Level "L" (SMR:SCINV=1)

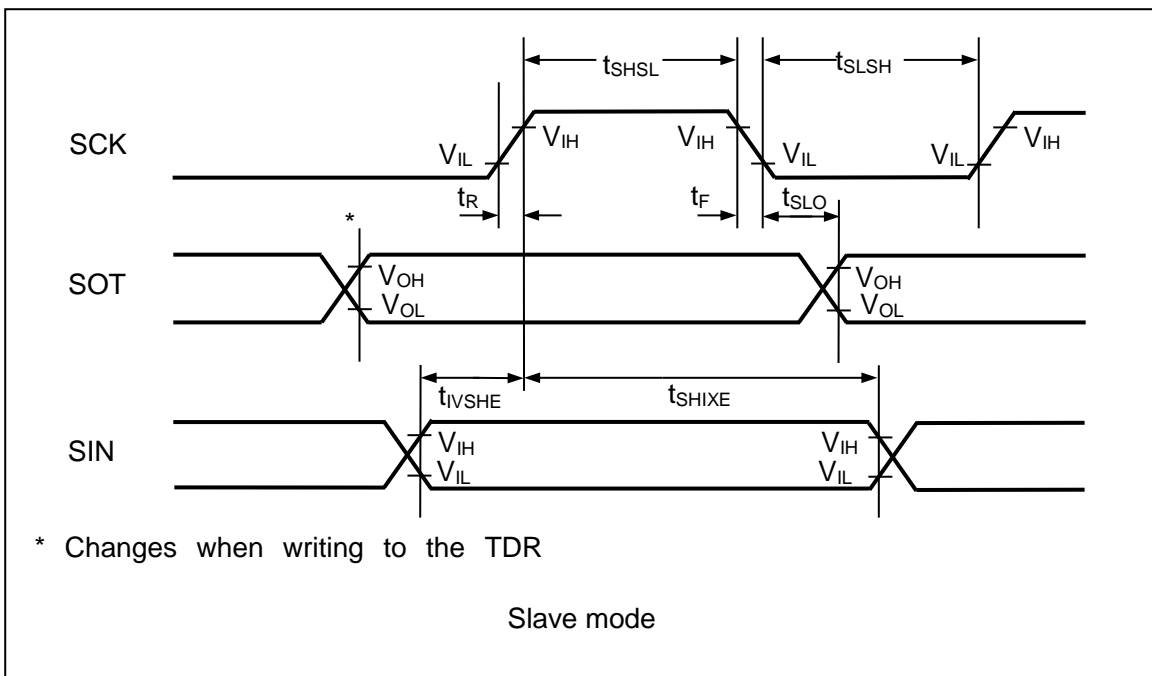
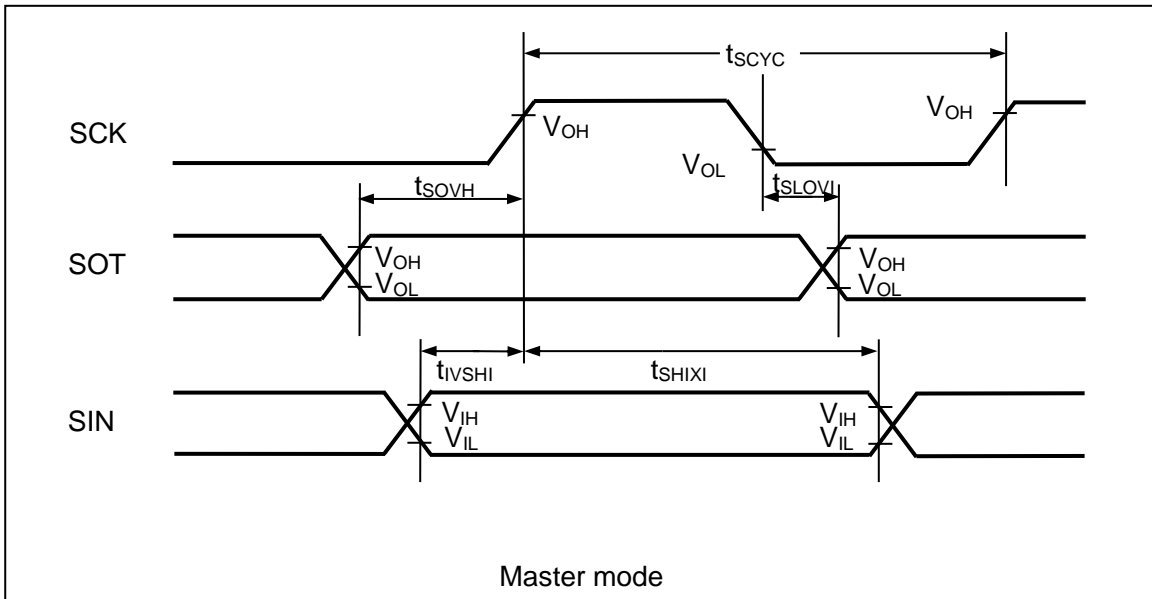
(TA: Recommended operating conditions, Vcc=DVcc=5.0 V ±10%, Vss=DVss=AVss=0.0 V)

Parameter	Symbol	Pin Name	Conditions	Value		Unit	Remarks
				Min	Max		
Serial clock cycle time	t _{SCYC}	SCK0 to SCK4, SCK8 to SCK12	Master mode (CL=50pF, I _{OL} =-2mA, I _{OH} =2mA), (CL=20pF, I _{OL} =-1mA, I _{OH} =1mA)	4t _{CLK_LCPnA} *	-	ns	
SCK ↓ → SOT delay time	t _{SLOVI}	SCK0 to SCK4, SCK8 to SCK12, SOT0 to SOT4, SOT8 to SOT12		-30	+30	ns	
Valid SIN → SCK ↑ setup time	t _{IVSHI}	SCK0 to SCK4, SCK8 to SCK12, SIN0 to SIN4, SIN8 to SIN12		30	-	ns	
SCK ↑ → Valid SIN hold time	t _{SHIXI}	SIN8 to SIN12		0	-	ns	
SOT → SCK ↑ delay time	t _{SOVHI}	SCK0 to SCK4, SCK8 to SCK12, SOT0 to SOT4, SOT8 to SOT12		2t _{CLK_LCPnA} * -30	-	ns	
Serial clock "H" pulse width	t _{SHSL}	SCK0 to SCK4, SCK8 to SCK12	Slave mode (CL=50pF, I _{OL} =-2mA, I _{OH} =2mA), (CL=20pF, I _{OL} =-1mA, I _{OH} =1mA)	t _{CLK_LCPnA} * +10	-	ns	
Serial clock "L" pulse width	t _{SLSH}			2t _{CLK_LCPnA} * -10	-	ns	
SCK ↓ → SOT delay time	t _{SLOVE}	SCK0 to SCK4, SCK8 to SCK12, SOT0 to SOT4, SOT8 to SOT12		-	30	ns	
Valid SIN → SCK ↑ setup time	t _{IVSHE}	SCK0 to SCK4, SCK8 to SCK12, SIN0 to SIN4, SIN8 to SIN12		10	-	ns	
SCK ↑ → Valid SIN hold time	t _{SHIXE}	SIN8 to SIN12		20	-	ns	
SCK fall time	t _F	SCK0 to SCK4, SCK8 to SCK12		-	5	ns	
SCK rise time	t _R	SCK0 to SCK4, SCK8 to SCK12		-	5	ns	

*: n=0:ch.0 to ch.4, n=1:ch.8 to ch.12

Notes:

- This is the AC characteristic in CLK synchronized mode.
- CL is the load capacitance applied to pins during testing.
- The maximum baud rate is limited by the internal operating clock used and other parameters. For details, see the hardware manual.



* Changes when writing to the TDR

(5-1-5) Serial Chip Select Used (SCSCR:CSEN=1)

- Mark level "H" of serial clock output (SMR, SCSFR:SCINV=0)
- Inactive level "H" of serial chip select (SCSCR, SCSFR:CSLVL=1)

(TA: Recommended operating conditions, Vcc=DVcc=5.0 V ±10%, Vss=DVss=AVss=0.0 V)

Parameter	Symbol	Pin Name	Condition s	Value		Unit	Remarks
				Min	Max		
SCS ↓ → SCK ↓ setup time	t _{CS_{SI}}	SCK0 to SCK4, SCK8 to SCK12,	Master mode (CL=50pF, I _{OL} =-2mA, I _{OH} =2mA), (CL=20pF, I _{OL} =-1mA, I _{OH} =1mA)	t _{CS_{SU}} *1-50	-	ns	
SCK ↑ → SCS ↑ hold time	t _{CS_{HI}}	SCS0x to SCS4x, SCS8x to SCS12x		t _{CS_{HD}} *2+0	-	ns	
SCS deselect time	t _{CS_{DI}}	SCS0x to SCS4x, SCS8x to SCS12x		t _{CS_{DS}} *3-50 +5t _{CLK_LCPnA} *4	-	ns	
SCS ↓ → SCK ↓ setup time	t _{CS_{SE}}	SCK0 to SCK4, SCK8 to SCK12,	Slave mode (CL=50pF, I _{OL} =-2mA, I _{OH} =2mA), (CL=20pF, I _{OL} =-1mA, I _{OH} =1mA)	3t _{CLK_LCPnA} *4 +30	-	ns	
SCK ↑ → SCS ↑ hold time	t _{CS_{HE}}	SCS0x to SCS4x, SCS8x to SCS12x		0	-	ns	
SCS deselect time	t _{CS_{DE}}	SCS0x to SCS4x, SCS8x to SCS12x		3t _{CLK_LCPnA} *4 +30	-	ns	
SCS ↓ → SOT delay time	t _{D_{SE}}	SCS0x to SCS4x, SCS8x to SCS12x,		-	40	ns	
SCS ↑ → SOT delay time	t _{D_{EE}}	SOT0 to SOT4, SOT8 to SOT12		0	-	ns	
SCK ↓ → SCS ↓ clock switching time	t _{SCC}	SCK0 to SCK4, SCK8 to SCK12, SCS0x to SCS4x, SCS8x to SCS12x	Master mode round operation (CL=50pF, I _{OL} =-2mA, I _{OH} =2mA), (CL=20pF, I _{OL} =-1mA, I _{OH} =1mA)	3t _{CLK_LCPnA} *4 +0	3t _{CLK_LCPnA} *4 +50	ns	

*1: t_{CS_{SU}}=SCSTR:CSSU[7:0] x serial chip select timing operating clock

*2: t_{CS_{HD}}=SCSTR:CSHD[7:0] x serial chip select timing operating clock

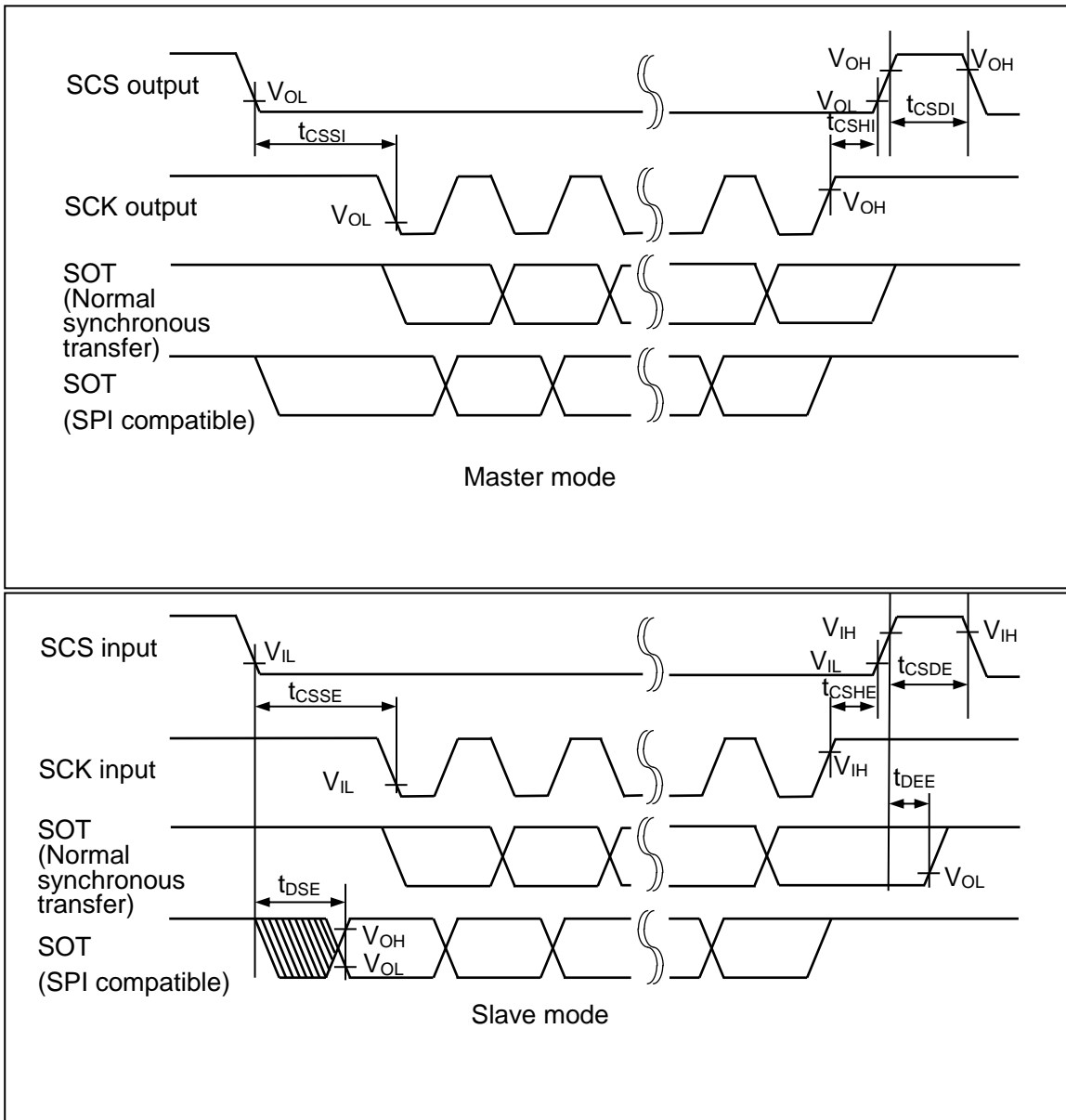
*3: t_{CS_{DS}}=SCSTR:CSDS[15:0] x serial chip select timing operating clock

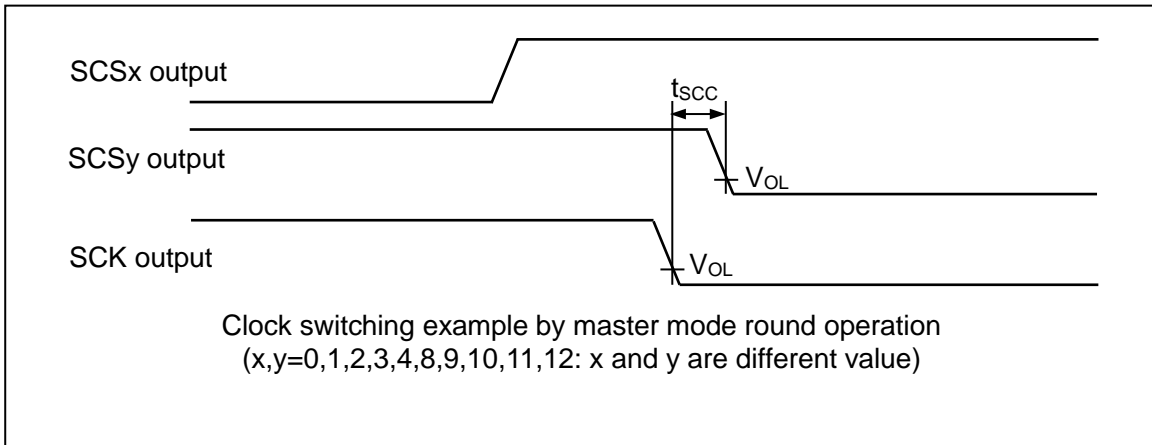
For details on *1, *2, and *3 above, see the hardware manual.

*4 t_{CLK_LCPnA} n=0:ch.0 to ch.4, n=1:ch.8 to ch.12

Notes:

- This is the AC characteristic in CLK synchronized mode.
- CL is the load capacitance applied to pins during testing.
- The maximum baud rate is limited by the internal operating clock used and other parameters.
For details, see the hardware manual.





(5-1-6) Serial Chip Select Used (SCSCR:CSEN=1)

- Serial clock output signal detect level "L" (SMR, SCSFR:SCINV=1)
- Serial chip select inactive level "H" (SCSCR, SCSFR:CSLVL=1)

(TA: Recommended operating conditions, Vcc=DVcc=5.0 V ±10%, Vss=DVss=AVss=0.0 V)

Parameter	Symbol	Pin Name	Condition s	Value		Unit	Remarks
				Min	Max		
SCS ↓ → SCK ↑ setup time	t _{CSU}	SCK0 to SCK4, SCK8 to SCK12, SCS0x to SCS4x, SCS8x to SCS12x	Master mode (CL=50pF, I _{OL} =-2mA, I _{OH} =2mA), (CL=20pF, I _{OL} =-1mA, I _{OH} =1mA)	t _{CSU} *1-50	-	ns	
SCK ↓ → SCS ↑ hold time	t _{CSH}			t _{CSHD} *2+0	-	ns	
SCS deselect time	t _{CSU}			t _{CSDS} *3-50+5 t _{CLK_LCPnA} *4	-	ns	
SCS ↓ → SCK ↑ setup time	t _{CSSE}	SCK0 to SCK4, SCK8 to SCK12, SCS0x to SCS4x, SCS8x to SCS12x	Slave mode (CL=50pF, I _{OL} =-2mA, I _{OH} =2mA), (CL=20pF, I _{OL} =-1mA, I _{OH} =1mA)	3t _{CLK_LCPnA} *4 +30	-	ns	
SCK ↓ → SCS ↑ hold time	t _{CSHE}			0	-	ns	
SCS deselect time	t _{CSDE}			3t _{CLK_LCPnA} *4 +30	-	ns	
SCS ↓ → SOT delay time	t _{DSE}			-	40	ns	
SCS ↑ → SOT delay time	t _{DEE}			0	-	ns	
SCK ↑ → SCS ↓ clock switching time	t _{SCC}	SCK0 to SCK4, SCK8 to SCK12, SCS0x to SCS4x, SCS8x to SCS12x	Master mode round operation (CL=50pF, I _{OL} =-2mA, I _{OH} =2mA), (CL=20pF, I _{OL} =-1mA, I _{OH} =1mA)	3t _{CLK_LCPnA} *4 +0	3t _{CLK_LCPnA} *4 +50	ns	

*1: t_{CSU}=SCSTR:CSSU[7:0] x serial chip select timing operating clock

*2: t_{CSHD}=SCSTR:CSHD[7:0] x serial chip select timing operating clock

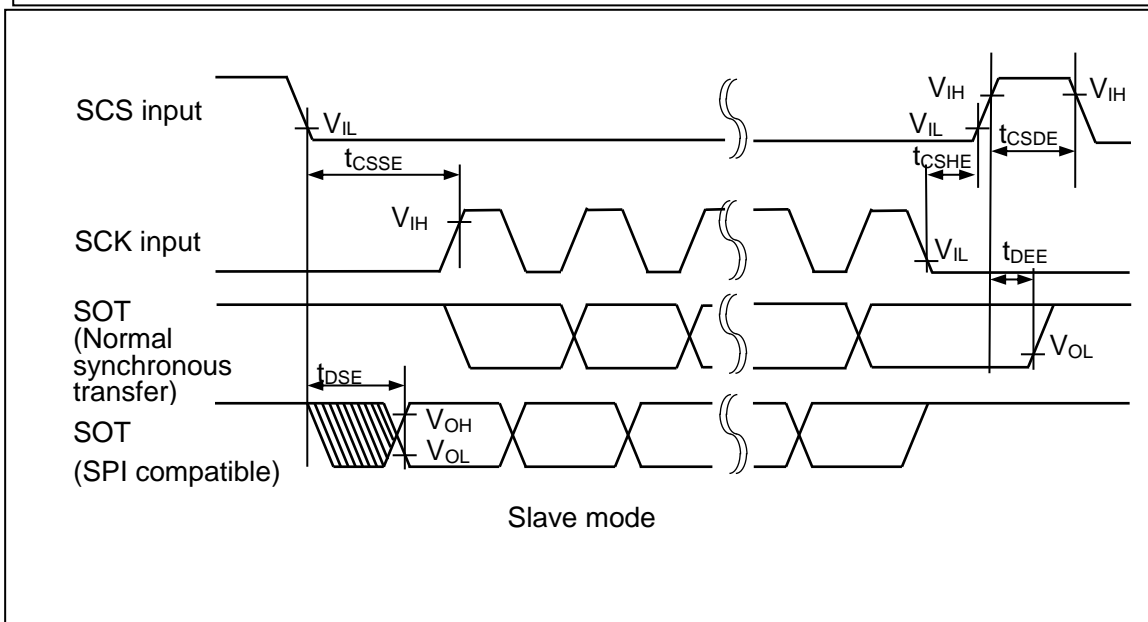
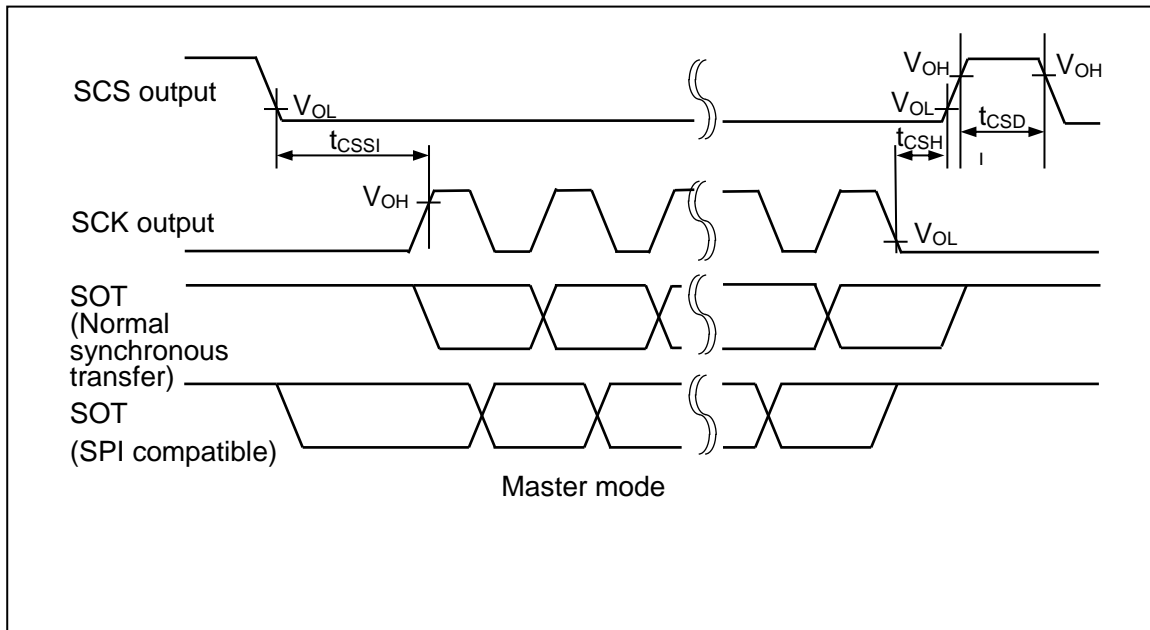
*3: t_{CSDS}=SCSTR:CSDS[15:0] x serial chip select timing operating clock

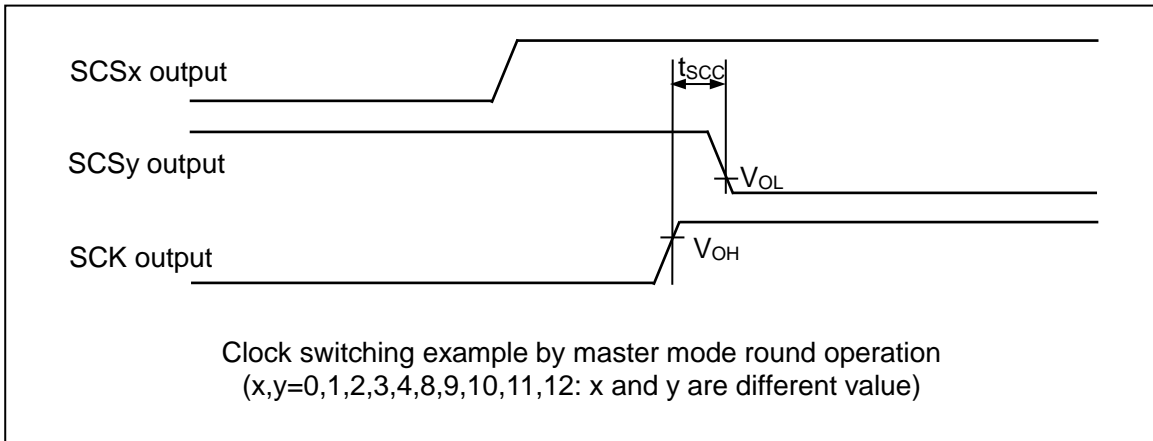
For details on *1, *2, and *3 above, see the hardware manual.

*4 t_{CLK_LCPnA} n=0:ch.0 to ch.4, n=1:ch.8 to ch.12

Notes:

- This is the AC characteristic in CLK synchronized mode.
- CL is the load capacitance applied to pins during testing.
- The maximum baud rate is limited by the internal operating clock used and other parameters. For details, see the hardware manual.





(5-1-7) Serial Chip Select Used (SCSCR:CSEN=1)

■ Serial clock output signal detect level "H" (SMR, SCSFR:SCINV=0)

■ Serial Chip select inactive level "L" (SCSCR, SCSFR:CSLVL=0)

(T_A: Recommended operating conditions, V_{CC}=DV_{CC}=5.0 V ±10%, V_{SS}=DV_{SS}=AV_{SS}=0.0 V)

Parameter	Symbol	Pin Name	Conditions	Value		Unit	Remarks
				Min	Max		
SCS ↑ → SCK ↓ setup time	t _{CSSt}	SCK0 to SCK4, SCK8 to SCK12,	Master mode (CL=50pF, I _{OL} =-2mA, I _{OH} =2mA), (CL=20pF, I _{OL} =-1mA, I _{OH} =1mA)	t _{CSSU} *1-50	-	ns	
SCK ↑ → SCS ↓ hold time	t _{CSHt}	SCS0x to SCS4x, SCS8x to SCS12x		t _{CShD} *2+0	-	ns	
SCS deselect time	t _{CSDt}	SCS0x to SCS4x, SCS8x to SCS12x		t _{CSDS} *3-50+5 t _{CLK_LCPnA} *4	-	ns	
SCS ↑ → SCK ↓ setup time	t _{CSSE}	SCK0 to SCK4, SCK8 to SCK12,	Slave mode (CL=50pF, I _{OL} =-2mA, I _{OH} =2mA), (CL=20pF, I _{OL} =-1mA, I _{OH} =1mA)	3t _{CLK_LCPnA} *4 +30	-	ns	
SCK ↑ → SCS ↓ hold time	t _{CSHE}	SCS0x to SCS4x, SCS8x to SCS12x		0	-	ns	
SCS deselect time	t _{CSDE}	SCS0x to SCS4x, SCS8x to SCS12x		3t _{CLK_LCPnA} *4 +30	-	ns	
SCS ↑ → SOT delay time	t _{DSE}	SCS0x to SCS4x, SCS8x to SCS12x,		-	40	ns	
SCS ↓ → SOT delay time	t _{DEE}	SOT0 to SOT4, SOT8 to SOT12		0	-	ns	
SCK ↓ → SCS ↑ clock switching time	t _{SCC}	SCK0 to SCK4, SCK8 to SCK12, SCS0x to SCS4x, SCS8x to SCS12x	Master mode round operation (CL=50pF, I _{OL} =-2mA, I _{OH} =2mA), (CL=20pF, I _{OL} =-1mA, I _{OH} =1mA)	3t _{CLK_LCPnA} *4 +0	3t _{CLK_LCPnA} *4 +50	ns	

*1: t_{CSSU}=SCSTR:CSSU[7:0] x serial chip select timing operating clock

*2: t_{CShD}=SCSTR:CShD[7:0] x serial chip select timing operating clock

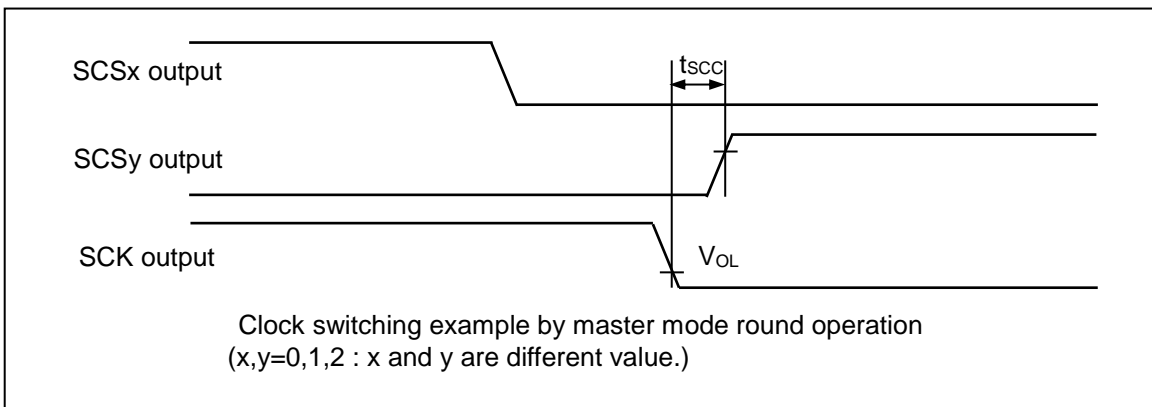
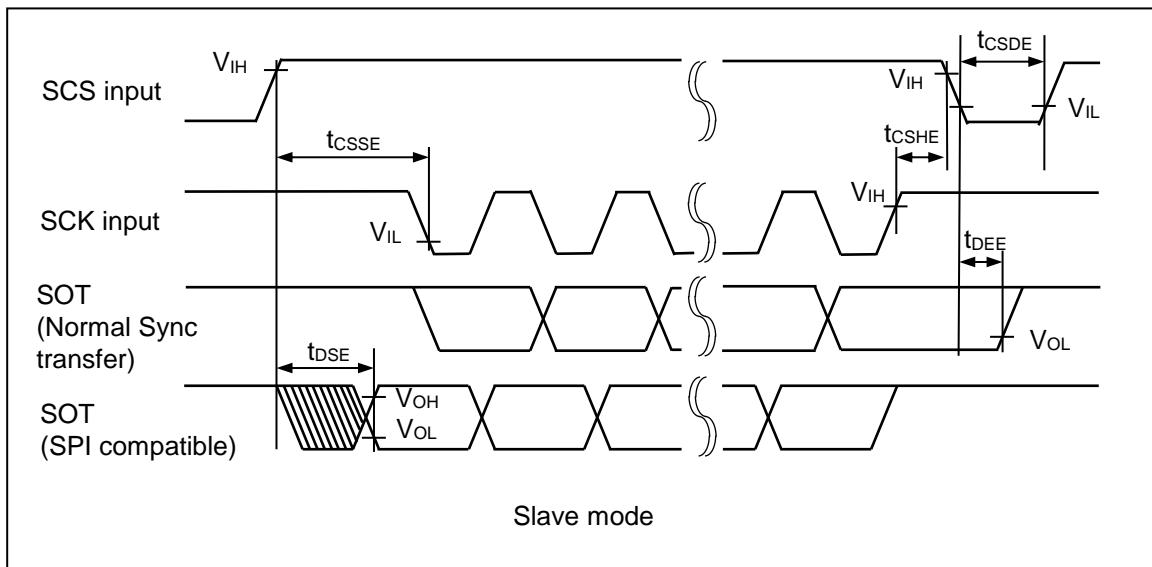
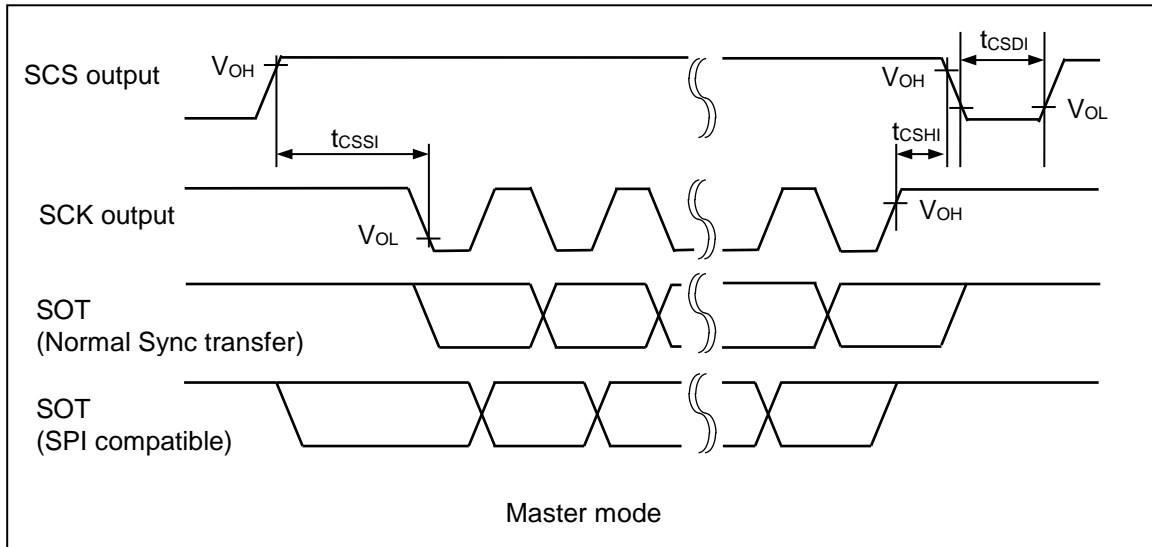
*3: t_{CSDS}=SCSTR:CSDS[15:0] x serial chip select timing operating clock

For details on *1, *2, and *3 above, see the hardware manual.

*4 t_{CLK_LCPnA} n=0:ch.0 to ch.4, n=1:ch.8 to ch.12

Notes:

- *This is the AC characteristic in CLK synchronized mode.*
- *CL is the load capacitance applied to pins during testing.*
- *The maximum baud rate is limited by the internal operating clock used and other parameters. For details, see the hardware manual*



(5-1-8) Serial Chip Select Used (SCSCR:CSSEN=1)

- Serial clock output signal detect level "L" (SMR, SCSFR:SCINV=1)
- Serial Chip select inactive level "L" (SCSCR, SCSFR:CSLVL=0)

(TA: Recommended operating conditions, Vcc=DVcc=5.0 V ±10%, Vss=DVss=AVss=0.0 V)

Parameter	Symbol	Pin Name	Conditions	Value		Unit	Remarks	
				Min	Max			
SCS ↑ → SCK ↑ setup time	t _{CSSE}	SCK0 to SCK4, SCK8 to SCK12,	Master mode (CL=50pF, I _{OL} =-2mA, I _{OH} =2mA), (CL=20pF, I _{OL} =-1mA, I _{OH} =1mA)	t _{CSSE} *1-50	-	ns		
SCK ↓ → SCS ↓ hold time	t _{CSHE}	SCS0x to SCS4x, SCS8x to SCS12x		t _{CSHE} *2+0	-	ns		
SCS deselect time	t _{CSDE}	SCS0x to SCS4x, SCS8x to SCS12x		t _{CSDE} *3-50+5 t _{CLK_LCPnA} *4	-	ns		
SCS ↑ → SCK ↑ setup time	t _{CSSE}	SCK0 to SCK4, SCK8 to SCK12,		Slave mode (CL=50pF, I _{OL} =-2mA, I _{OH} =2mA), (CL=20pF, I _{OL} =-1mA, I _{OH} =1mA)	3t _{CLK_LCPnA} *4+30	-		ns
SCK ↓ → SCS ↓ hold time	t _{CSHE}	SCS0x to SCS4x, SCS8x to SCS12x			0	-		ns
SCS deselect time	t _{CSDE}	SCS0x to SCS4x, SCS8x to SCS12x	3t _{CLK_LCPnA} *4+30		-	ns		
SCS ↑ → SOT delay time	t _{DSE}	SCS0x to SCS4x, SCS8x to SCS12x,	-		40	ns		
SCS ↓ → SOT delay time	t _{DDE}	SOT0 to SOT4, SOT8 to SOT12	0		-	ns		
SCK ↑ → SCS ↑ clock switching time	t _{SCC}	SCK0 to SCK4, SCK8 to SCK12, SCS0x to SCS4x, SCS8x to SCS12x	Master mode round operation (CL=50pF, I _{OL} =-2mA, I _{OH} =2mA), (CL=20pF, I _{OL} =-1mA, I _{OH} =1mA)	3t _{CLK_LCPnA} *4+0	3t _{CLK_LCPnA} *4+50	ns		

*1: t_{CSSE}=SCSTR:CSSU[7:0] x serial chip select timing operating clock

*2: t_{CSHE}=SCSTR:CSHD[7:0] x serial chip select timing operating clock

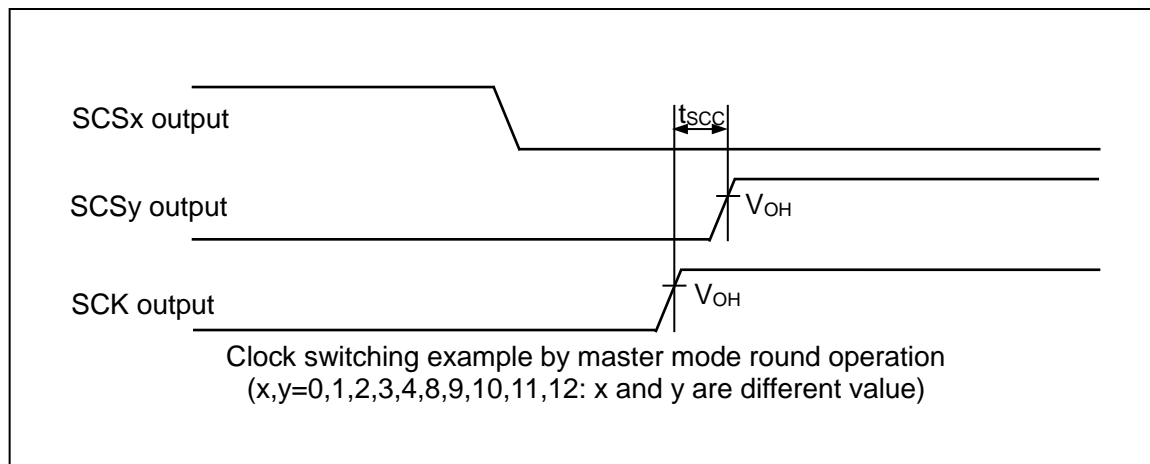
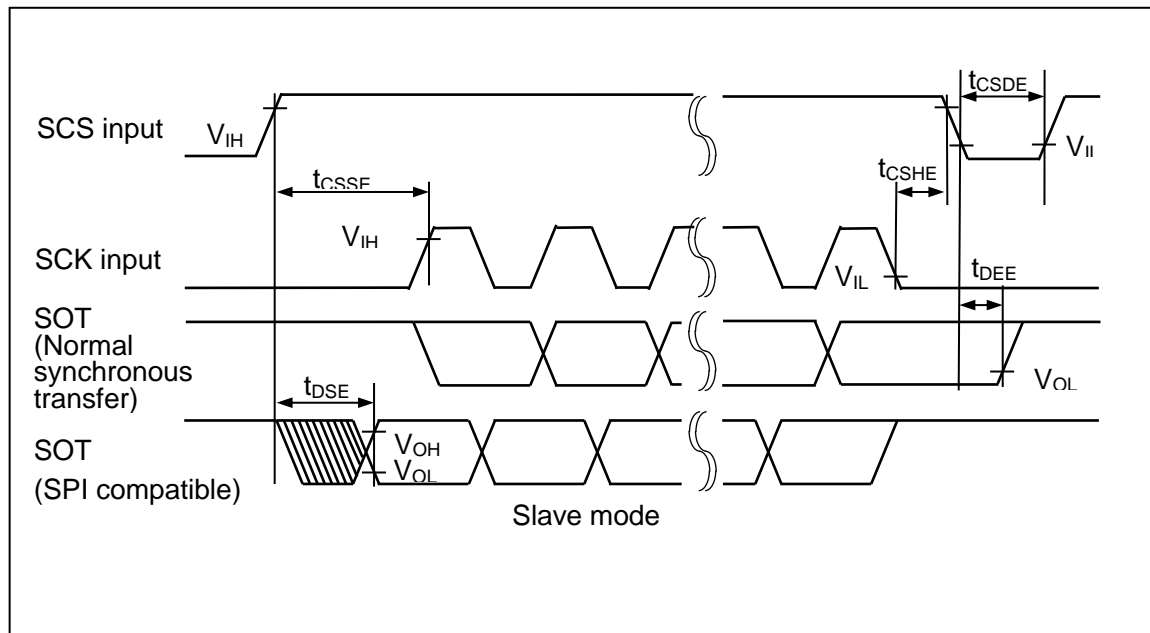
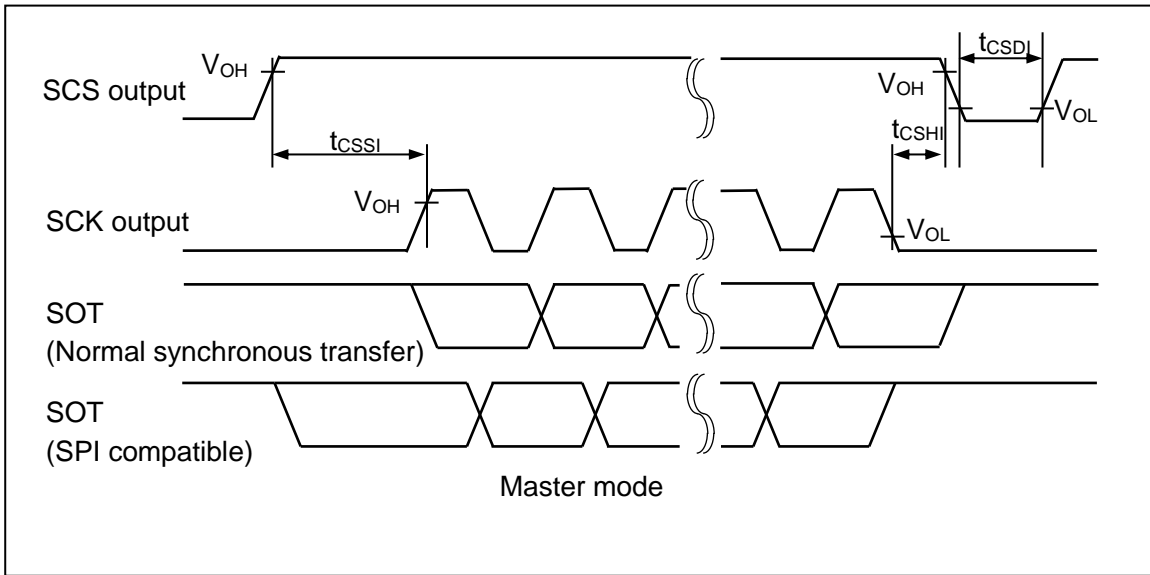
*3: t_{CSDE}=SCSTR:CSDS[15:0] x serial chip select timing operating clock

For details on *1, *2, and *3 above, see the hardware manual.

*4 t_{CLK_LCPnA} n=0:ch.0 to ch.4, n=1:ch.8 to ch.12

Notes:

- *This is the AC characteristic in CLK synchronized mode.*
- *CL is the load capacitance applied to pins during testing.*
- *The maximum baud rate is limited by the internal operating clock used and other parameters. For details, see the hardware manual.*



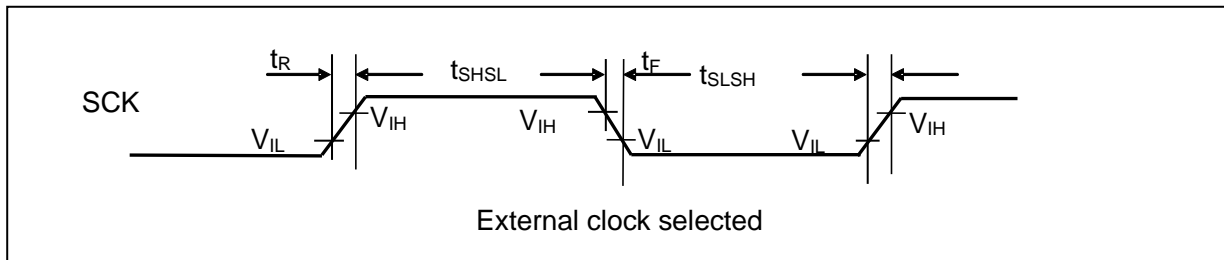
10.4.7.2 UART (Async Serial Interface) Timing
(SMR:MD[2:0]=000B, 001B)

(5-2-1) External Clock Selected (BGR:EXT=1)

(T_A: Recommended operating conditions, V_{CC}=DV_{CC}=5.0 V ±10%, V_{SS}=DV_{SS}=AV_{SS}=0.0 V)

Parameter	Symbol	Pin Name	Condition s	Value		Unit	Remarks
				Min	Max		
Serial clock "L" pulse width	t _{SLSH}	SCK0 to SCK4, SCK8 to SCK12	(CL=50pF, IOL=-2mA, IOH=2mA), (CL=20pF, IOL=-1mA, IOH=1mA)	t _{CLK_LCPnA} * +10	-	ns	
Serial clock "H" pulse width	t _{SHSL}			t _{CLK_LCPnA} * +10	-	ns	
SCK fall time	t _F			-	5	ns	
SCK rise time	t _R			-	5	ns	

*: n=0:ch.0 to ch.4, n=1:ch.8 to ch.12



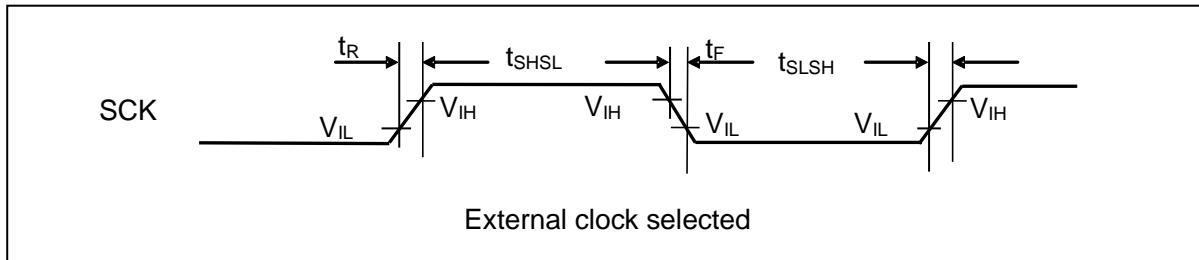
10.4.7.3 LIN Interface (v2.1) (LIN Communication Control Interface (v2.1)) Timing (SMR:MD[2:0]=011B)

(5-3-1) External Clock Selected (BGR:EXT=1)

(TA: Recommended operating conditions, Vcc=DVcc=5.0 V ±10%, Vss=DVss=AVss=0.0 V)

Parameter	Symbol	Pin Name	Condition s	Value		Unit	Remarks
				Min	Max		
Serial clock "L" pulse width	t_{SLSH}	SCK0 to SCK4, SCK8 to SCK12	(CL=50pF, IOL=-2mA, IOH=2mA), (CL=20pF, IOL=-1mA, IOH=1mA)	$t_{CLK_LCPnA}^*+10$	-	ns	
Serial clock "H" pulse width	t_{SHSL}			$t_{CLK_LCPnA}^*+10$	-	ns	
SCK fall time	t_F			-	5	ns	
SCK rise time	t_R			-	5	ns	

*: n=0:ch.0 to ch.4, n=1:ch.8 to ch.12



10.4.7.4 I²C Timing (SMR:MD[2:0]=100B)

 (T_A: Recommended operating conditions, V_{CC}=5.0 V +5%/-10%, V_{SS}=AV_{SS}=0.0 V)

Parameter	Symbol	Pin Name	Conditions	Standard Mode		Unit	Remarks
				Min	Max		
SCL clock frequency	f _{SCL}	SCL0, SCL3, SCL4, SCL8 to SCL11	C _L =50pF, R=(V _p /I _{OL}) ^{*1}	0	100	kHz	
Repeat "start" condition hold time SDA ↓ → SCL ↓	t _{HDSTA}	SDA0, SDA3, SDA4, SDA8 to SDA11 SCL0, SCL3, SCL4, SCL8 to SCL11		4.0	-	μs	
Period of "L" for SCL clock	t _{LOW}	SCL0, SCL3, SCL4, SCL8 to SCL11		4.7	-	μs	
Period of "H" for SCL clock	t _{HIGH}			4.0	-	μs	
Repeat "start" condition setup time SCL ↑ → SDA ↓	t _{SUSTA}	SDA0, SDA3, SDA4, SDA8 to SDA11 SCL0, SCL3, SCL4, SCL8 to SCL11		4.7	-	μs	
Data hold time SCL ↓ → SDA ↓ ↑	t _{HDDAT}			0	3.45 ^{*2}	μs	
Data setup time SDA ↓ ↑ → SCL ↑	t _{SUDAT}			250	-	ns	
"Stop" condition setup time SCL ↑ → SDA ↑	t _{SUSTO}			4.0	-	μs	
Bus-free time between "stop" condition and "start" condition	t _{BUF}			-	4.7	-	μs
Noise filter	t _{SP}	-		t _{NFT} ^{*3}	-	ns	

*1: R and CL represent the pull-up resistance and load capacitance of the SCL and SDA output lines, respectively V_p shows that the power-supply voltage of the pull-up resistor and I_{OL} shows the VOL guarantee current.

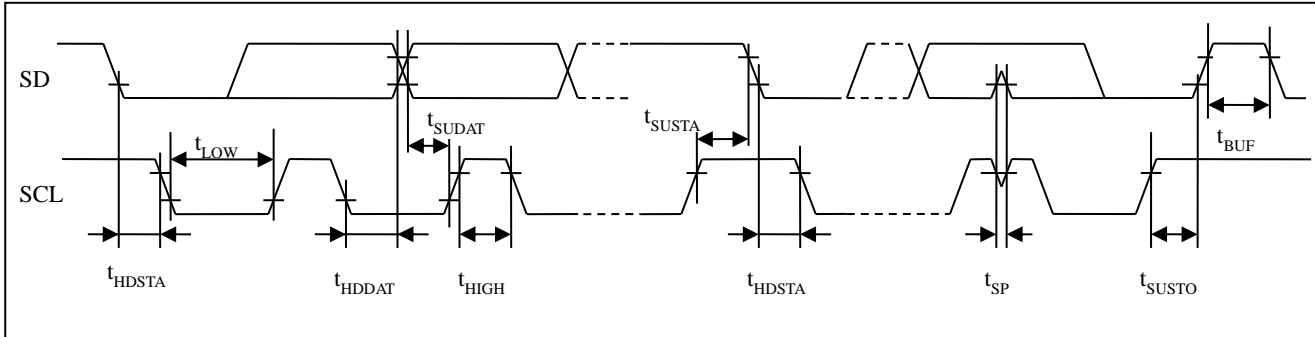
*2: The maximum t_{HDDAT} only has to be met if the device does not extend the "L" width (t_{LOW}) of the SCL signal.

*3: t_{NFT}=(NFCR:NFT[4:0]+1) x 2 x tCLK_LCP0A

Notes:

- In this device, Standard mode (Max. 100kbps) is supported only.
- This model does not support high-speed mode. (Max. 400kbps).

- This model does not support Min. $I_{OL} = 3mA$ with $V_{OL} = 0.4V$.

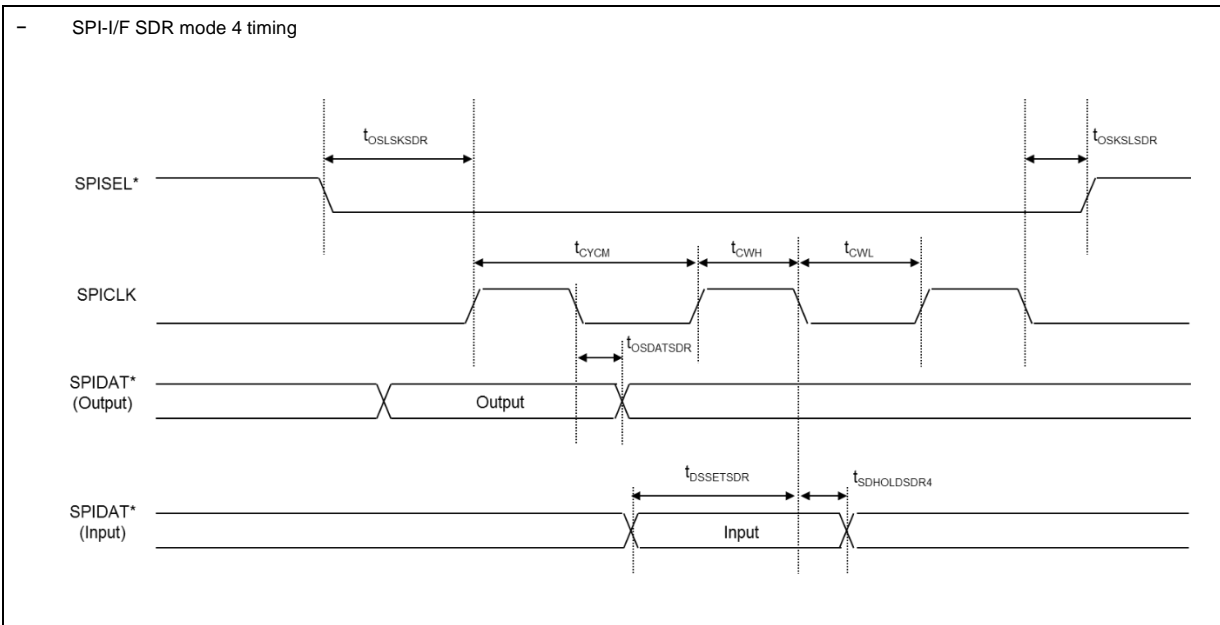
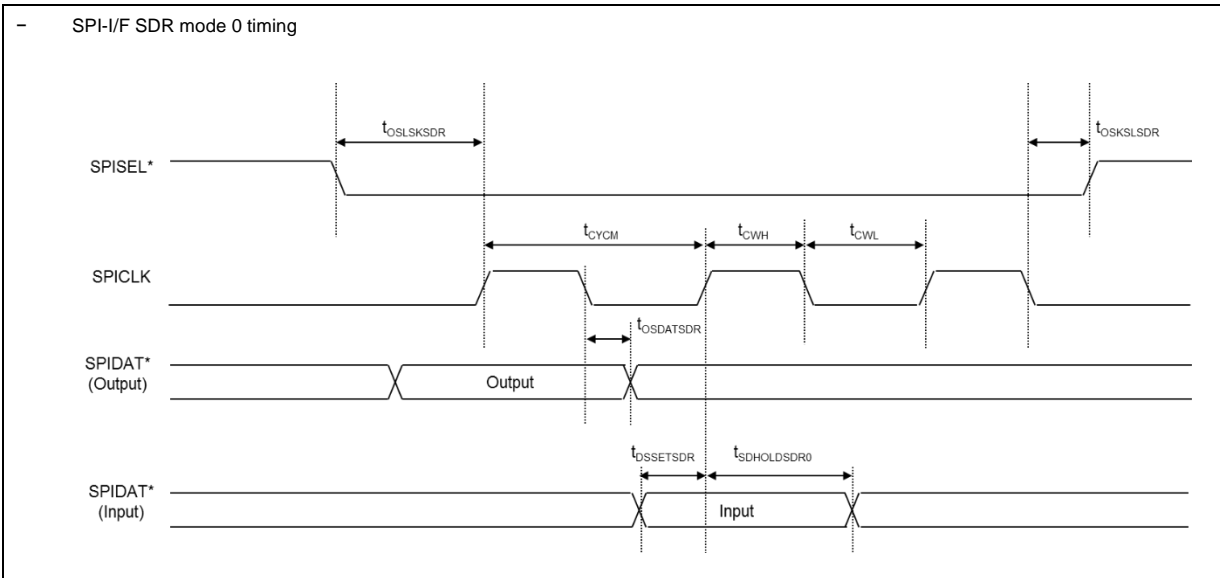


10.4.8 HS-SPI Timing
10.4.8.1 SDR Mode Timing

(TA: Recommended operating conditions, V_{CC}=DV_{CC}=5.0 V ±10%, V_{SS}=DV_{SS}=AV_{SS}=0.0 V)

(External load capacitance 16pF)

Parameter	Symbol	Pin Name	Conditions	Value		Unit	Remarks
				Min	Max		
Cycle time	t _{CYCM}	SPICLK	2mA is selected in ODR bit in PPC_PCFGFR register.	62.5	-	ns	Slave mode is not supported.
Clock high width	t _{CWH}	SPICLK		0.5t _{CYCM} - 4	-	ns	
Clock low width	t _{CWL}	SPICLK		0.5t _{CYCM} - 4	-	ns	
Valid SPISEL → SPICLK start time (mode0 / mode4)	t _{OSLSKSDR}	SPICLK, SPISEL0 to SPISEL3		1.5t _{CYCM} - 15	-	ns	Minimum setting value of SS2CD bit is 01 _B
SPICLK end → Invalid SPISEL time (mode0 / mode4)	t _{OSKLSDR}			t _{CYCM} - 10	-	ns	
SPIDAT output time	t _{OSDATSDR}			SPICLK, SPIDAT0 to SPIDAT3	-10	10	ns
SPIDAT setup	t _{DSSETS}	SPICLK, SPIDAT0 to SPIDAT3	"CMOS Schmitt input" and "Disable noise filter" are selected in PPC_PCFGFR register.	14	-	ns	
SPIDAT hold (mode0)	t _{SDHOLDSD} R0		0.5t _{CYCM}	-	ns		
SPIDAT hold (mode4)	t _{SDHOLDSD} R4		0	-	ns		

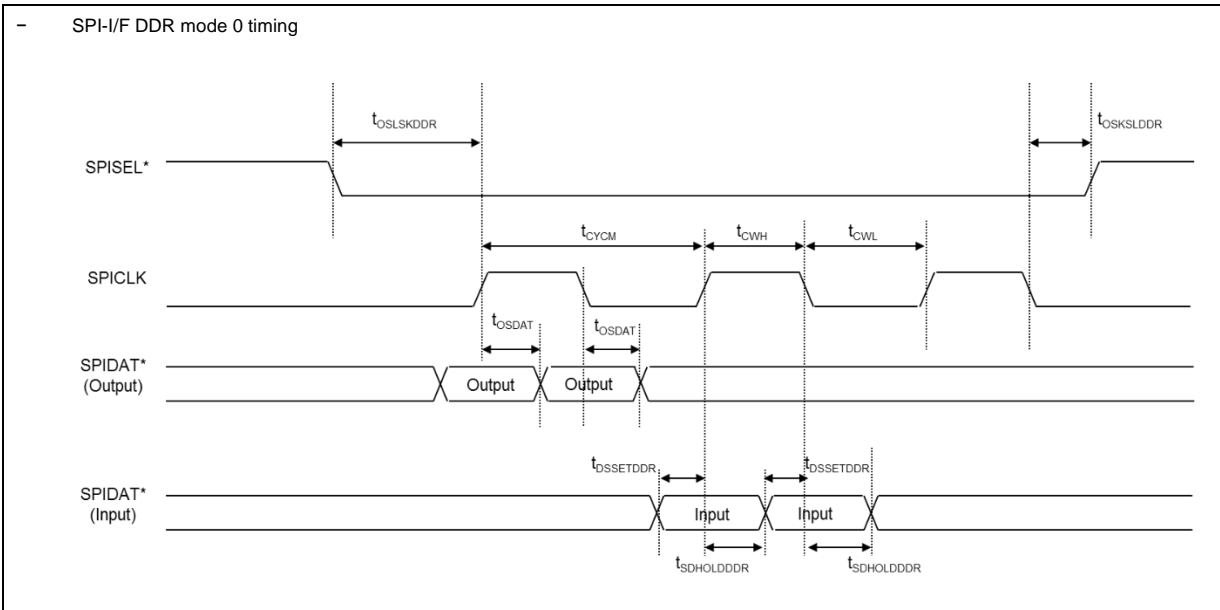


10.4.8.2 DDR Mode Timing

 (T_A: Recommended operating conditions, V_{CC}=DV_{CC}=5.0 V ±10%, V_{SS}=DV_{SS}=AV_{SS}=0.0 V)

(External load capacitance 16pF)

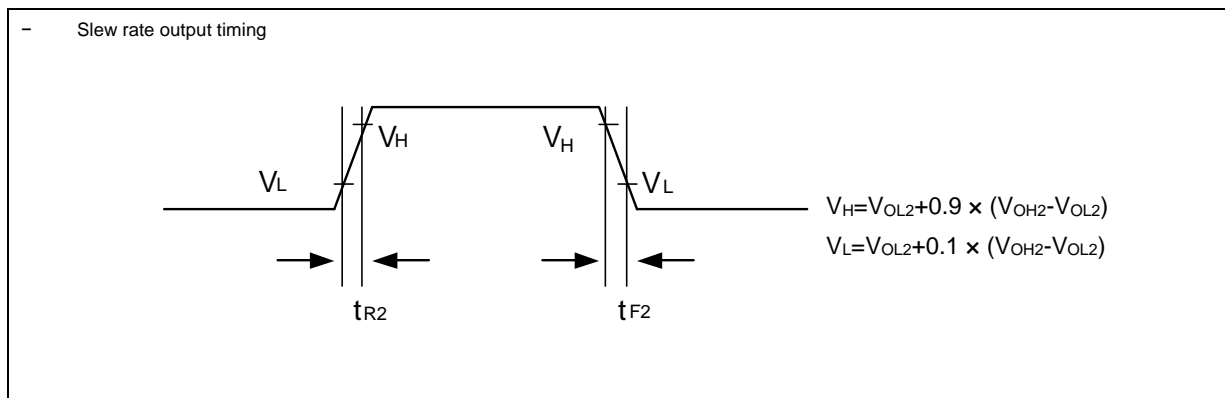
Parameter	Symbol	Pin Name	Conditions	Value		Unit	Remarks
				Min	Max		
Cycle time	t _{CYCM}	SPICLK	2mA is selected in ODR bit in PPC_PCFGR register.	62.5	-	ns	Slave mode is not supported.
Clock high width	t _{CWH}	SPICLK		0.5t _{CYCM} - 4	-	ns	
Clock low width	t _{CWL}	SPICLK		0.5t _{CYCM} - 4	-	ns	
Valid SPISEL → SPICLK start time (mode0)	t _{OSLSKDDR}	SPICLK, SPISEL0 to SPISEL3		1.75t _{CYCM} - 15	-	ns	Minimum setting value of SS2CD bit is 01 _B .
SPICLK end → Invalid SPISEL time (mode0)	t _{OSKSLDDR}			0.75t _{CYCM} - 10	-	ns	
SPIDAT output time	t _{OSDATDDR}	SPICLK, SPIDAT0 to SPIDAT3		0.25t _{CYCM} - 10	0.25t _{CYCM} + 10	ns	
SPIDAT setup	t _{DSSSETDDR}	SPICLK, SPIDAT0 to SPIDAT3		14	-	ns	
SPIDAT hold (mode0)	t _{SDHOLDDDR}		0	-	ns		



10.4.9 High Current Output Slew Rate

(T_A: Recommended operating conditions, V_{CC}=DV_{CC}=5.0 V ±10%, V_{SS}=DV_{SS}=AV_{SS}=0.0 V)

Parameter	Symbol	Pin Name	Conditions	Value			Unit	Remarks
				Min	Typ	Max		
Output rise / fall time	t _{R2} , t _{F2}	P229 to P231, P300 to P302, P304 to P305, P307 to P309, P312 to P315, P317	-	15	-	100	ns	load capacitance 85pF

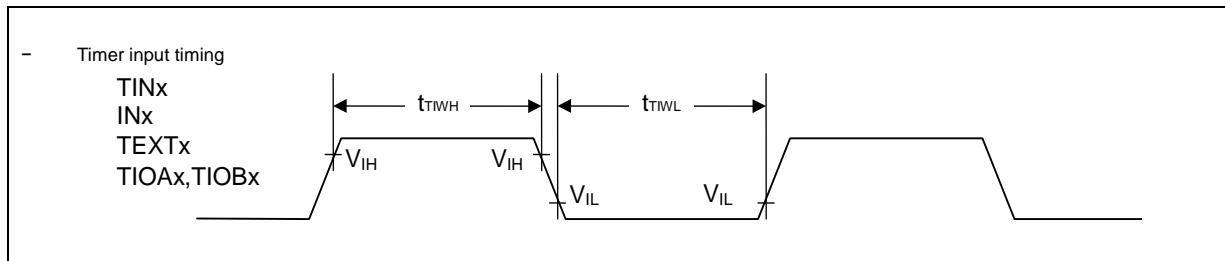


10.5 Timer Input Timing

(T_A: Recommended operating conditions, V_{CC}=DV_{CC}=5.0 V ±10%, V_{SS}=DV_{SS}=AV_{SS}=0.0 V)

Parameter	Symbol	Pin Name	Condition s	Value		Unit	Remarks
				Min	Max		
Input pulse width	t _{TW^H} , t _{TW^L}	TIN0 to TIN3, TIN16 to TIN19	-	4t _{CLK_LCPnA} *	-	ns	4t _{CLK_LCPnA} * ≥100 ns
				100			4t _{CLK_LCPnA} * <100 ns
		TIN32 to TIN33	-	4t _{CLK_LLPBM2}	-	ns	4t _{CLK_LLPBM2} ≥100 ns
				100			4t _{CLK_LLPBM2} <100 ns
		IN0 to IN11	-	4t _{CLK_LCP0A}	-	ns	4t _{CLK_LCP0A} ≥100 ns
				100			4t _{CLK_LCP0A} <100 ns
		TEXT0 to 5	-	4t _{CLK_LCP0A}	-	ns	4t _{CLK_LCP0A} ≥100 ns
				100			4t _{CLK_LCP0A} <100 ns
		TIOA0 to TIOA29 TIOB0 to TIOB29	-	4t _{CLK_LCP0A}	-	ns	4t _{CLK_LCP0A} ≥100 ns
				100			4t _{CLK_LCP0A} <100 ns

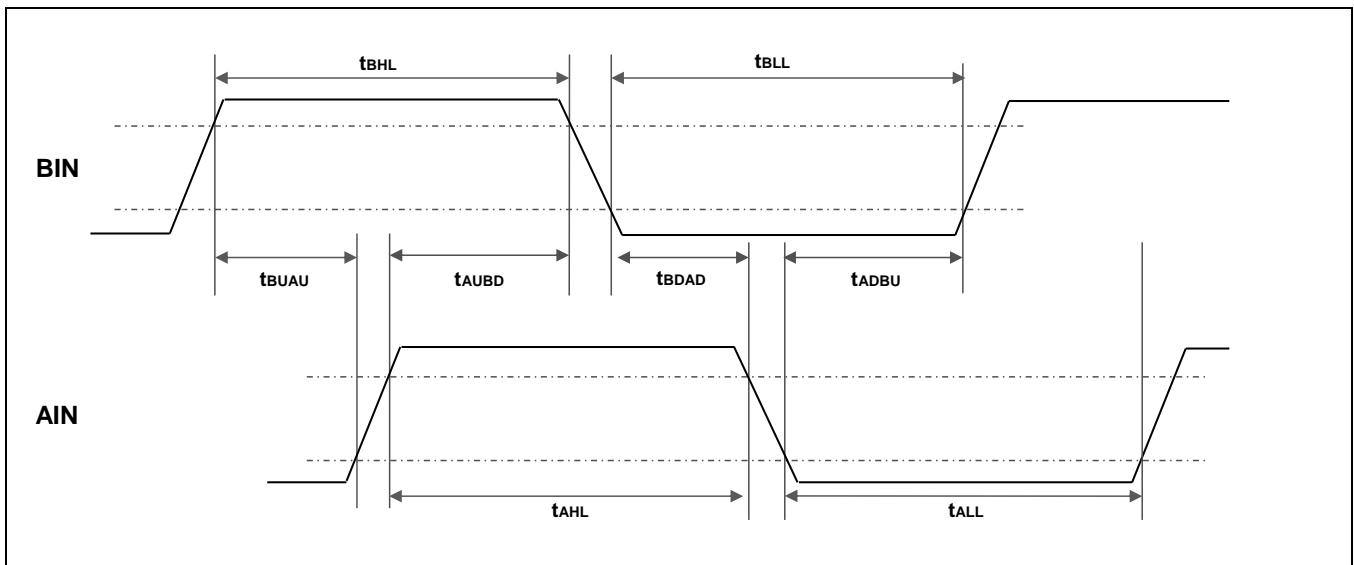
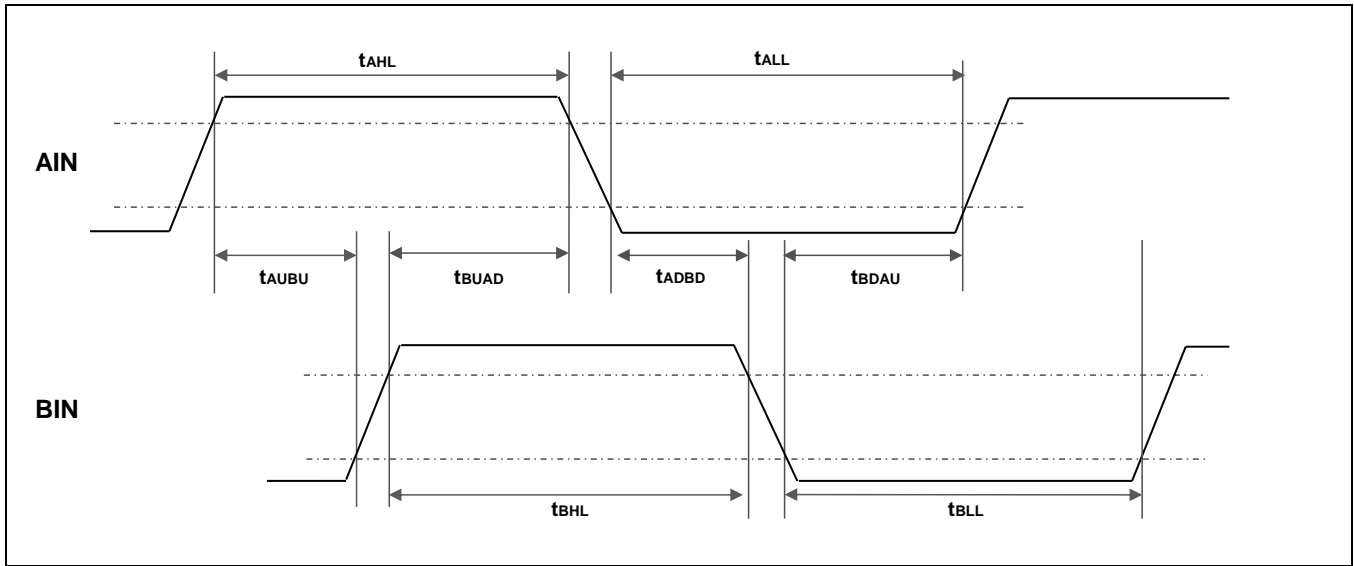
*: n=0:ch.0 to ch.3, n=1:ch.16 to ch.19

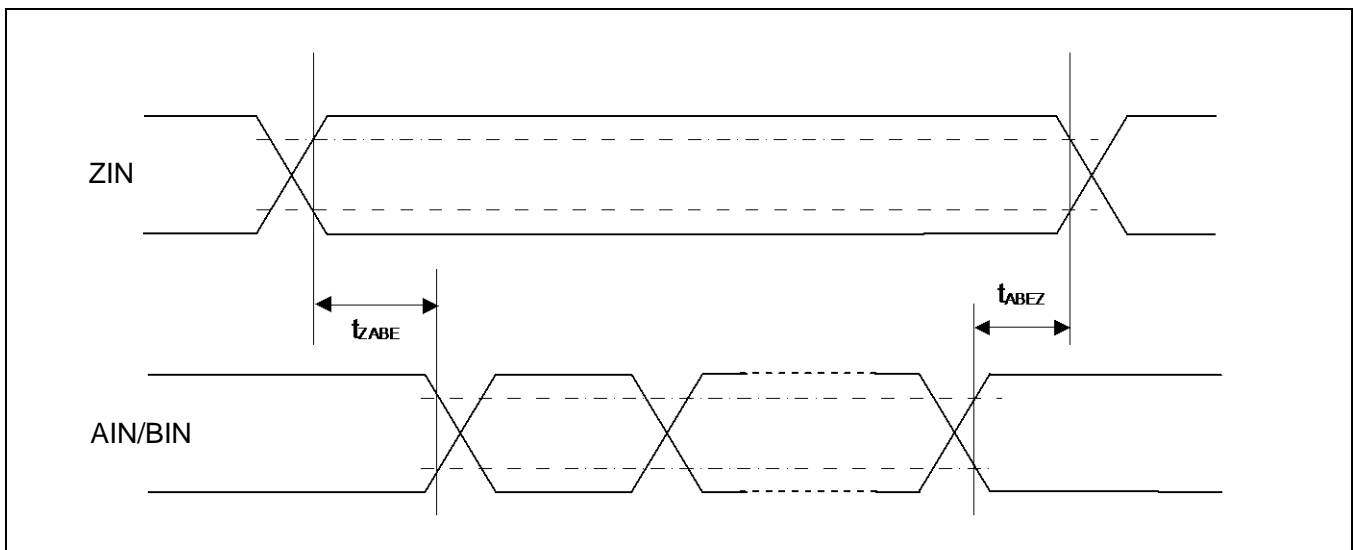
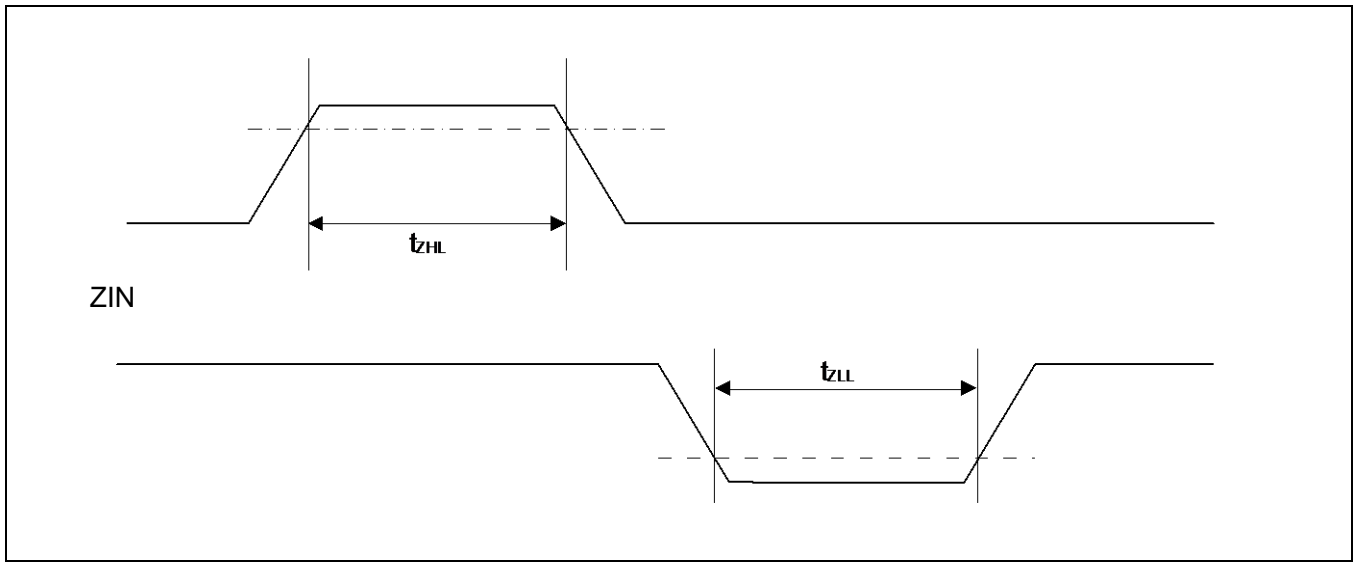


10.6 QPRC Timing

(TA: Recommended operating conditions, Vcc=DVcc=5.0 V ±10%, Vss=DVss=AVss=0.0 V)

Parameter	Symbol	Pin Name	Conditions	Value		Unit	Remarks
				Min	Max		
AIN pin "H" width	t _{AHL}	AIN8 to AIN9	-	4t _{CLK_LCP1} A	-	ns	4t _{CLK_LCP1} A ≥ 100 ns
AIN pin "L" width	t _{ALL}	AIN8 to AIN9	-				
BIN pin "H" width	t _{BHL}	BIN8 to BIN9	-				
BIN pin "L" width	t _{BLL}	BIN8 to BIN9	-				
Time from AIN pin "H" level to BIN rise	t _{AUBU}	AIN8 to AIN9, BIN8 to BIN9	PC_Mode2 or PC_Mode3				
Time from BIN pin "H" level to AIN fall	t _{BUAD}	AIN8 to AIN9, BIN8 to BIN9	PC_Mode2 or PC_Mode3				
Time from AIN pin "L" level to BIN fall	t _{ADBD}	AIN8 to AIN9, BIN8 to BIN9	PC_Mode2 or PC_Mode3				
Time from BIN pin "L" level to AIN rise	t _{BDAU}	AIN8 to AIN9, BIN8 to BIN9	PC_Mode2 or PC_Mode3				
Time from BIN pin "H" level to AIN rise	t _{BUAU}	AIN8 to AIN9, BIN8 to BIN9	PC_Mode2 or PC_Mode3				
Time from AIN pin "H" level to BIN fall	t _{AUBD}	AIN8 to AIN9, BIN8 to BIN9	PC_Mode2 or PC_Mode3				
Time from BIN pin "L" level to AIN fall	t _{BDAD}	AIN8 to AIN9, BIN8 to BIN9	PC_Mode2 or PC_Mode3				
Time from AIN pin "L" level to BIN rise	t _{ADBU}	AIN8 to AIN9, BIN8 to BIN9	PC_Mode2 or PC_Mode3				
ZIN pin "H" width	t _{ZHL}	ZIN8 to ZIN9	QCR:CGSC="0"				
ZIN pin "L" width	t _{ZLL}	ZIN8 to ZIN9	QCR:CGSC="0"				
Time from determined ZIN level to AIN/BIN rise and fall	t _{ZABE}	AIN8 to AIN9, BIN8 to BIN9, ZIN8 to ZIN9	QCR:CGSC="1"				
Time from AIN/BIN rise and fall time to determined ZIN level	t _{ABEZ}	AIN8 to AIN9, BIN8 to BIN9, ZIN8 to ZIN9	QCR:CGSC="1"				

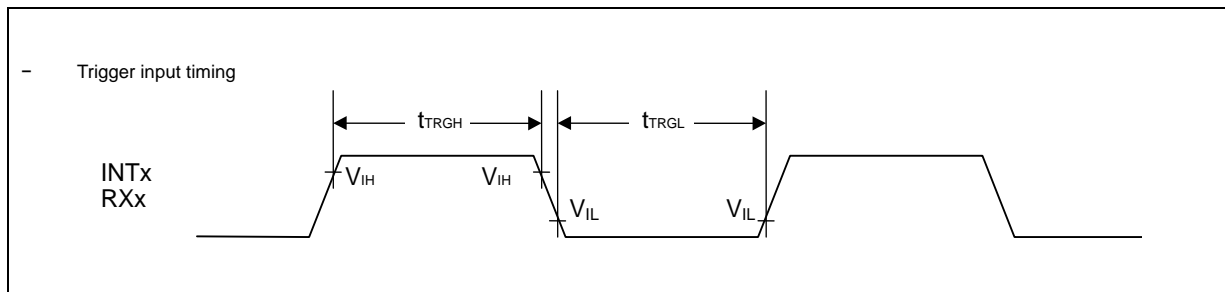




10.7 Trigger Input Timing

(T_A: Recommended operating conditions, V_{CC}=DV_{CC}=5.0 V ±10%, V_{SS}=DV_{SS}=AV_{SS}=0.0 V)

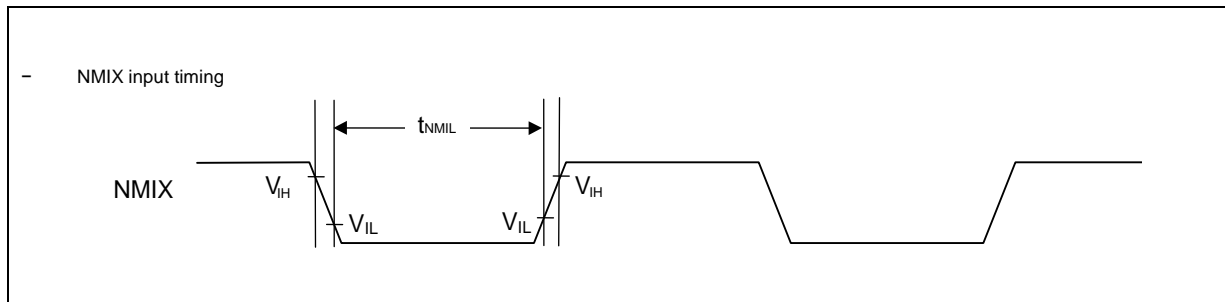
Parameter	Symbol	Pin Name	Condition s	Value		Unit	Remarks
				Min	Max		
Input pulse width	t _{TRGH}	INT0 to INT15	-	100	-	ns	
	t _{TRGL}	INT0 to INT15	-	1	-	μs	Stop mode



10.8 NMI Input Timing

(T_A: Recommended operating conditions, V_{CC}=5.0 V ±10%, V_{SS}=AV_{SS}=0.0 V)

Parameter	Symbol	Pin Name	Conditions	Value		Unit	Remarks
				Min	Max		
Input pulse width	t _{NMIL}	NMIX	-	300	-	ns	



10.9 Low-Voltage Detection (External Low-Voltage Detection)

(TA: Recommended operating conditions, V_{SS}=AV_{SS}=0.0 V)

Parameter	Symbol	Pin Name	Conditions	Value			Unit	Remarks
				Min	Typ	Max		
Power supply voltage range	V _{DP5}	VCC	-	3.5	-	5.5	V	
Detection voltage	V _{DL0}	VCC	*1 *3	3.6	3.8	4.0	V	When power-supply voltage falls and detection level is set initially
	V _{DL1}	VCC	*1 *4	3.8	4.0	4.2	V	
	V _{DL2}	VCC	*1 *5	4	4.2	4.4	V	
Hysteresis width	V _{HYS}	VCC	-	-	100	-	mV	When power-supply voltage rises
Low-voltage detection time	T _d	-	-	-	-	30	μs	
Power supply voltage regulation	-	VCC	-	-2	-	2	V/ms	*2

*1: If the fluctuation of the power supply has exceeded the detection voltage range within the time less than the low-voltage detection time (T_d), there is the possibility to generate or release after the power supply voltage has exceeded the detection voltage range.

*2: Please suppress the change of the power supply within the range of the power-supply voltage regulation to do a low-voltage detection by detecting voltage (V_{DL})

*3: SYSC0_RUNLVDCFGR.LVDH1V = 0100_B or SYSC0_PSSLVDCFGR.LVDH1V = 0100_B

*4: SYSC0_RUNLVDCFGR.LVDH1V = 0101_B or SYSC0_PSSLVDCFGR.LVDH1V = 0101_B

*5: SYSC0_RUNLVDCFGR.LVDH1V = 0110_B or SYSC0_PSSLVDCFGR.LVDH1V = 0110_B

10.10 Low-Voltage Detection (RAM Retention Low-Voltage Detection)

(T_A: Recommended operating conditions, V_{SS}=AV_{SS}=0.0 V)

Parameter	Symbol	Pin Name	Condition s	Value			Unit	Remarks
				Min	Typ	Max		
Power supply voltage range	V _{RDP5}	-	-	0.6	-	1.4	V	
Detection voltage*	V _{RDL}	-	*1	0.9	0.95	1.0	V	When power-supply voltage falls
Hysteresis width	V _{RHYS}	-	-	-	75	-	mV	When power-supply voltage rises
Low-voltage detection time	T _{Rd}	-	-	-	-	30	µs	

*: This LVD cannot be used to reliably generate a reset before voltage dips below minimum guaranteed MCU operation voltage, as this detection level is below the minimum guaranteed MCU operation voltage.

*1: If the fluctuation of the power supply has exceeded the detection voltage range within the time less than the low-voltage detection time (T_{Rd}), there is the possibility to generate or release after the power supply voltage has exceeded the detection voltage range.

10.11 Low-Voltage Detection (1.2 V Power Supply Low-Voltage Detection)

(T_A: Recommended operating conditions, V_{SS}=AV_{SS}=0.0 V)

Parameter	Symbol	Pin Name	Condition s	Value			Unit	Remarks	Guaranteed MCU operation range
				Min	Typ	Max			
Power supply voltage range	V _{RDP5}	-	-	0.6	-	1.4	V		No
Detection voltage*	V _{RDL0}	-	*1 *2 *4	0.92	0.97	1.02	V	When power-supply voltage falls	
	V _{RDL1}	-	*1 *3 *4	1.02	1.07	1.12	V		
Hysteresis width	V _{RHYS}	-	-	-	75	-	mV	When power-supply voltage rises	
Low-voltage detection time	T _{Rd}	-	-	-	-	30	µs		

*: This LVD cannot be used to reliably generate a reset before voltage dips below minimum guaranteed MCU operation voltage, as these detection levels are below the minimum guaranteed MCU operation voltage.

*1: If the fluctuation of the power supply has exceeded the detection voltage range within the time less than the low-voltage detection time (T_{Rd}), there is the possibility to generate or release after the power supply voltage has exceeded the detection voltage range.

*2: SYSC0_RUNLVDCFGR.LVDL1V = 10_B or SYSC0_PSSLVDCFGR.LVDL1V = 10_B

*3: SYSC0_RUNLVDCFGR.LVDL1V = 11_B or SYSC0_PSSLVDCFGR.LVDL1V = 11_B

*4: These detection voltage level settings are below the minimum operation voltage.

Between these detection voltages and the minimum operation voltage, MCU functions are not guaranteed except for the low voltage detector.

Note that although the detection level is below the minimum operation voltage, the LVD reset factor flag is set as the voltage drops below the detection level.

10.12 A/D Converter

10.12.1 Electrical Characteristics

(T_A: Recommended operating conditions, V_{CC}=DV_{CC}=5.0 V ±10%, V_{SS}=DV_{SS}=AV_{SS}=0.0 V)

Parameter	Symbol	Pin Name	Value			Unit	Remarks
			Min	Typ	Max		
Resolution	-	-	-	-	12	bit	
Total Error	-	-	-	-	±12	LSB	*3
Integral Nonlinearity	-	-	-	-	±4.0	LSB	*4
Differential Nonlinearity	-	-	-	-	±1.9	LSB	*4
Zero transition voltage	V _{ZT}	*6	AVRL -11.5LSB	-	AVRL +12.5LSB	V	*5
Full-scale transition voltage	V _{FST}	*6	AVRH -13.5LSB	-	AVRH +10.5LSB	V	
Sampling time	t _{SMP}	-	0.3	-	12	µs	*1
Compare time	t _{CMP}	-	0.7	-	28	µs	*1
A/D conversion time	t _{CNV}	-	1.0	-	40	µs	*1
Analog port input current	I _{AIN}	*7	-1.0	-	1.0	µA	V _{AVSS} ≤ V _{AIN} ≤ V _{AVCC}
		*8	-2.0	-	2.0		
		*9	-3.0	-	3.0		
Analog input voltage	V _{AIN}	*6	AVSS	-	AVRH	V	
Reference voltage	AVRH	AVRH0,AVRH1	4.5	-	5.5	V	AV _{CC} ≥ AVRH
	AVRL	AVRL0/AVSS0,AVRL1/AVSS1	-	0.0	-	V	
Power supply current	I _A	AVCC	-	500	900	µA	per one unit
	I _{AH}		-	1.0	100	µA	*2
	I _R	AVRH	-	1	2	mA	per one unit
	I _{RH}		-	-	5.0	µA	*2
Variation between channels	-	*10	-	-	4	LSB	
		AN32 to AN43, AN46 to AN53, AN55 to AN62	-	-	4	LSB	

*1: Time for each channel

*2: The power supply current (V_{CC}=AV_{CC}=5.0V) is specified if the A/D converter is not operating and CPU is stopped.

*3: Total Error is a comprehensive static error that includes the linearity. 1LSB=(AVRH-AVRL)/4096

*4: 1LSB=(V_{FST}-V_{ZT})/4094

*5: 1LSB=(AVRH-AVRL)/4096

*6: AN3, AN5, AN6, AN9, AN10, AN12 to AN15, AN17 to AN24, AN27 to AN43, AN46 to AN53, and AN55 to AN62

*7: AN3, AN5, AN6, AN9, AN10, AN12 to AN15, AN17 to AN24, and AN27 to AN42

*8: AN0 to AN2, and AN43

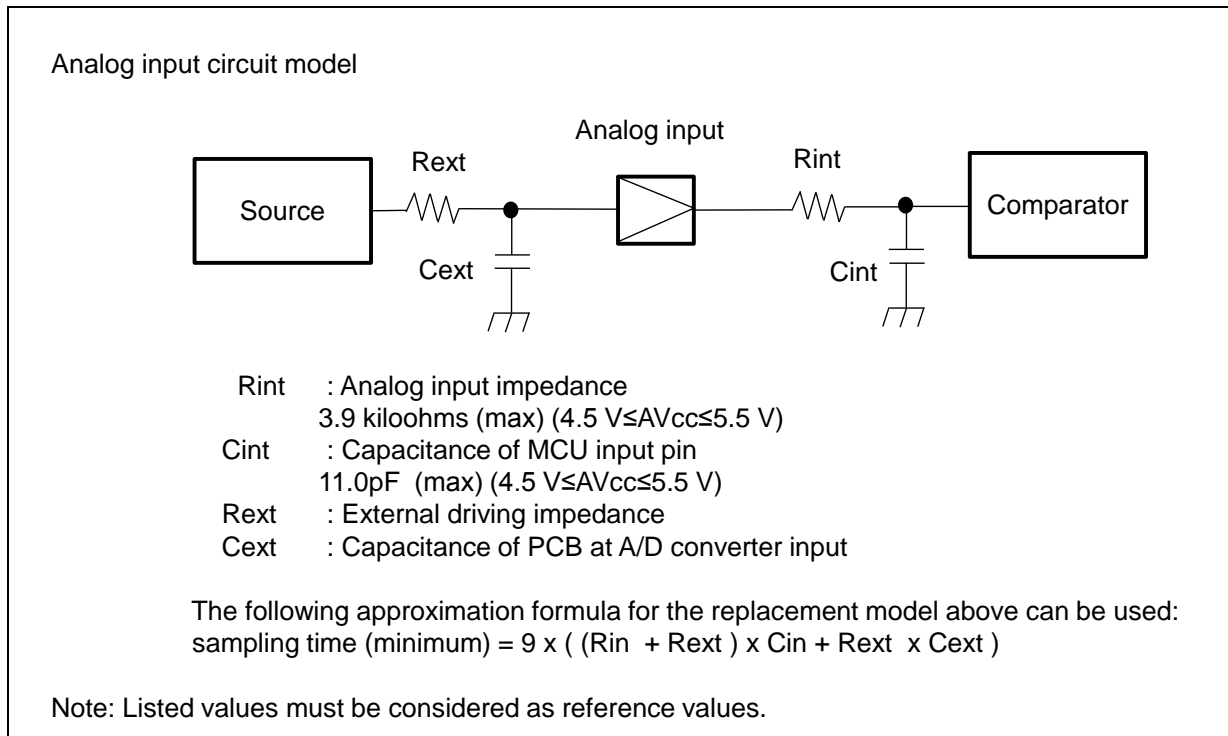
*9: AN44 to AN62

*10: AN3, AN5, AN6, AN9, AN10, AN12 to AN15, AN17 to AN24, and AN27 to AN31

10.12.2 Notes on Using A/D converters

About the Output Impedance of an External Circuit for Analog Input

When the external impedance is too high, the analog voltage sampling time may become insufficient. In this case, we recommend attaching a capacitor (about 0.1 μ F) to an analog input pin.



10.12.3 Definition of Terms

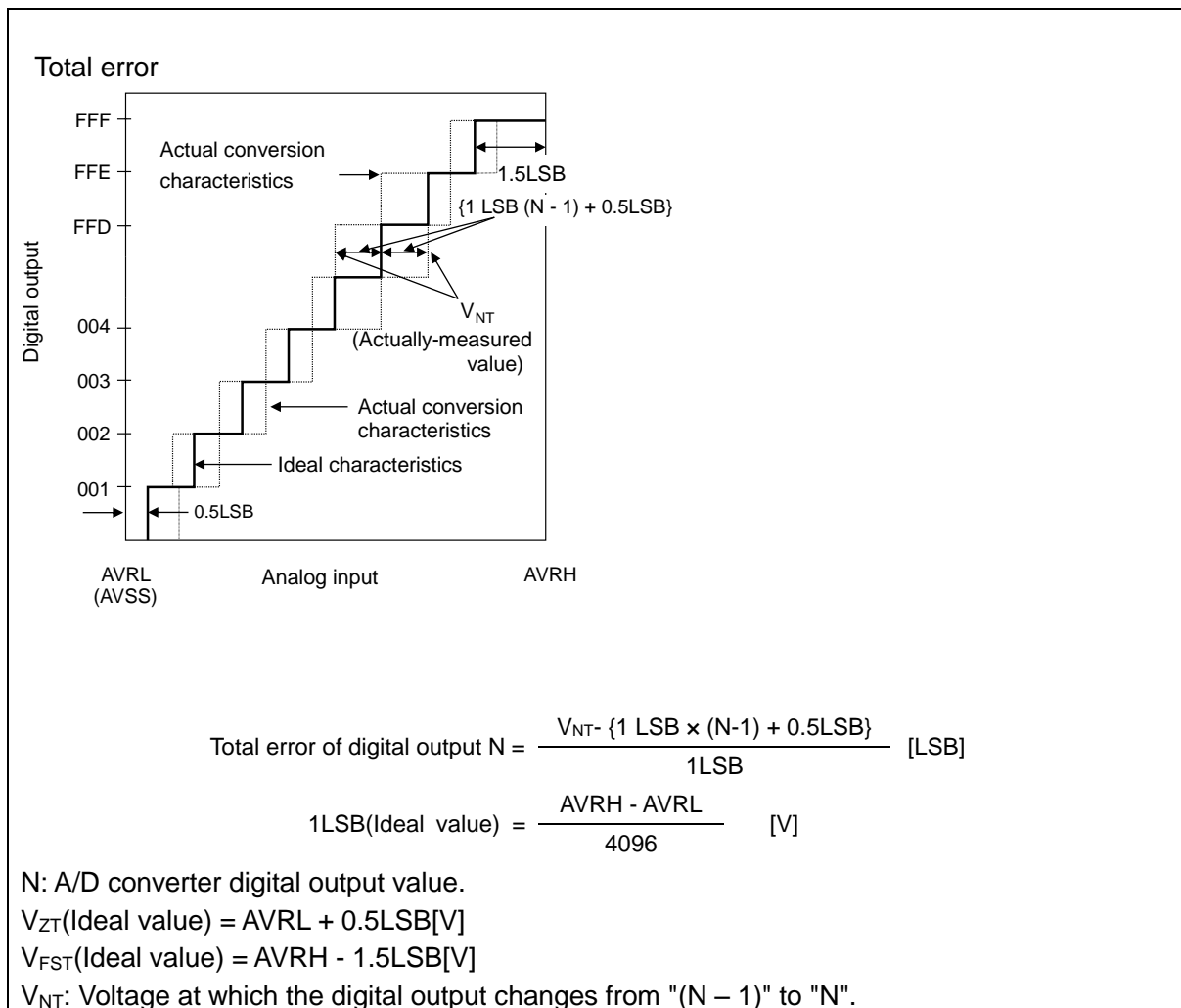
Resolution: Analog variation that is recognized by an A/D converter

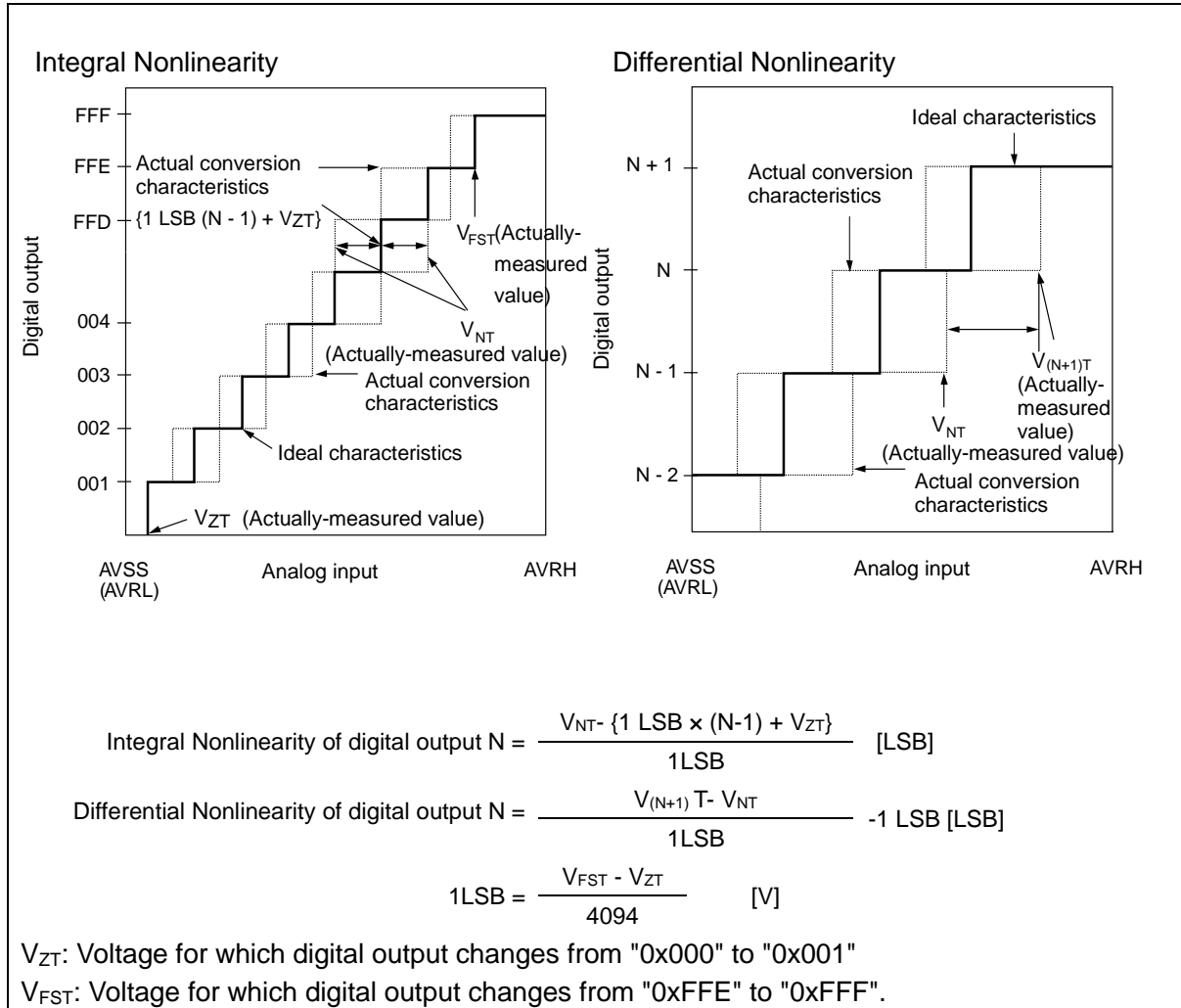
Integral Nonlinearity error *: Deviation of the straight line connecting the zero transition point ("0000 0000 0000" <--> "0000 0000 0001") and full-scale transition point ("1111 1111 1110" <--> "1111 1111 1111") from actual conversion characteristics includes zero transition error, full-scale transition error, and non-linearity error.

Differential Nonlinearity error: Deviation from the ideal value of the input voltage required for changing the output code by 1 LSB

Total error: Difference between the actual value and the theoretical value. The total error includes zero transition error, full-scale transition error, and non linearity error.

*: Represented as "Linearity error" in the former product series.





10.13 Flash Memory

Parameter	Rating			Unit	Remarks
	Min	Typ	Max		
Sector erase time	-	300	1100	ms	8-KB sector* ¹ Internal preprogramming time included
	-	800	3700	ms	64-KB sector* ¹ Internal preprogramming time included
8-bit write time	-	15	288	μs	System-level overhead time excluded* ¹
16-bit write time	-	19	384	μs	System-level overhead time excluded* ¹
32-bit write time	-	27	567	μs	System-level overhead time excluded* ¹
64-bit write time	-	45	945	μs	System-level overhead time excluded* ¹
8-bit (with ECC) write time	-	19	384	μs	System-level overhead time excluded* ¹
16-bit (with ECC) write time	-	23	483	μs	System-level overhead time excluded* ¹
32-bit (with ECC) write time	-	31	651	μs	System-level overhead time excluded* ¹
64-bit (with ECC) write time	-	49	1029	μs	System-level overhead time excluded* ¹
Erase count* ² / Data retention time	1,000/20 years, 10,000/10 years, 100,000/5 years	-	-	-	Temperature at write/erase time Average temperature T _A =+85 degrees Celsius

*1: Guaranteed value for up to 100,000 erases

*2: Number of erases for each sector

Notes:

- While the Flash memory is written or erased, shutdown of the external power (V_{CC}) is prohibited.
- In the application system where V_{CC} might be shut down while writing or erasing, be sure to turn the power off by using an external low-voltage detection function.
- To put it concretely, after the external power supply voltage falls below the detection voltage (V_{DL}), hold V_{CC} at 2.7V or more within the duration calculated by the following expression:

$$T_d^{*1} [\mu s] + (1 / F_{CRF}^{*2} [MHz]) \times 1029 + 25 [\mu s]$$

*1 : See "12.8 Low-voltage detection (external low-voltage detection)"

*2 : See "12.4.1 Source clock timing"

11. Ordering Information

Part Number	Package
S6J312xHzCSEy0000*	144-pin Plastic, TEQFP(LEU144)

Note:

- "x"/"y" is an part number option. For the part number option, see the following table. For details on each package, see "PACKAGE DIMENSIONS."

* z: A/B

12. Part Number Option

Part Number Option "x"	FLASH Memory
A	1MByte
9	768KByte
8	512KByte

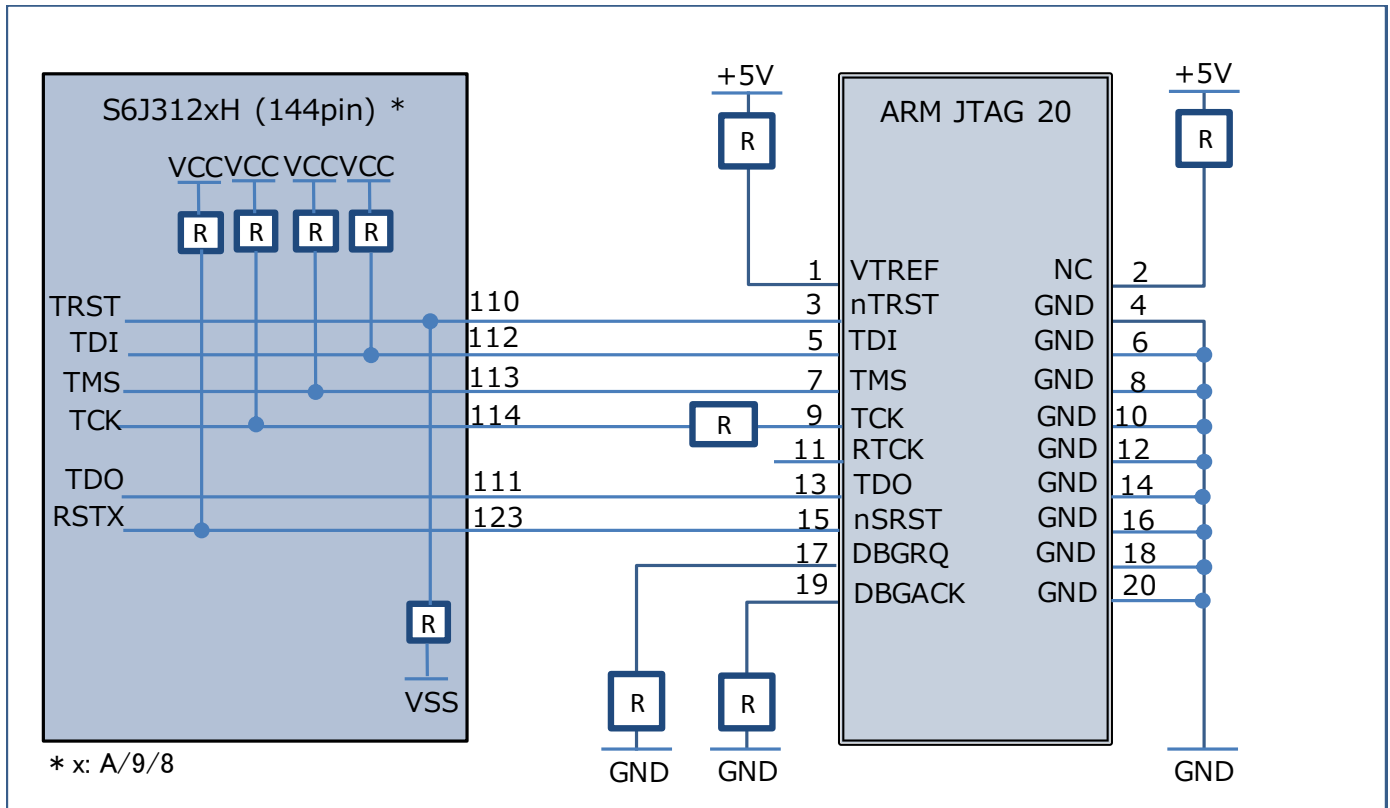
Part Number Option "y"	
1	Sn-Bi & Halogen Free
2	PureSn & Halogen Free

Part Number Option "z"	SHE
A	SHE ON
B	SHE OFF

14. Appendix

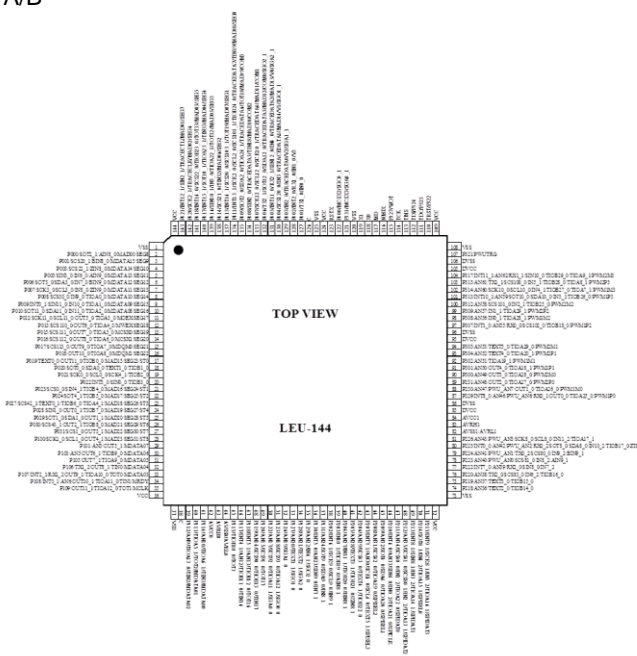
14.1 Application 1: JTAG tool connection

This is an application example of JTAG tool connection.



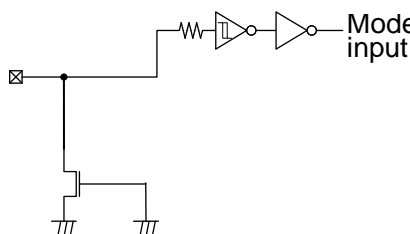
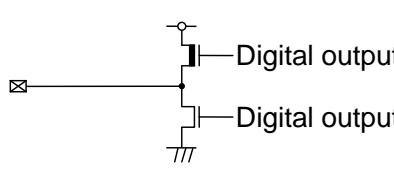
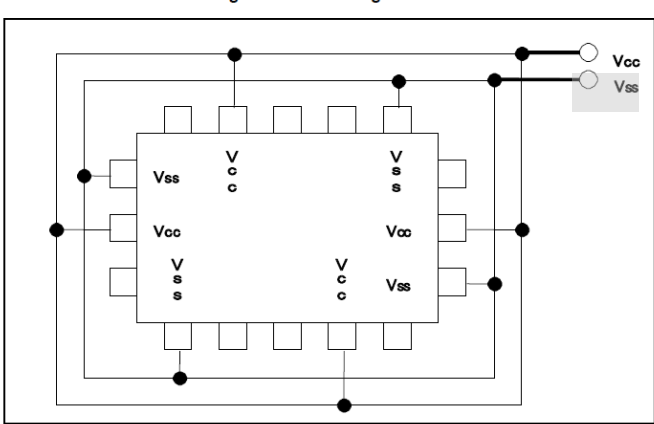
15. Major Changes

Page	Section	Change Results
Revision *A		
1	Features Cortex-R5 Core	Revised the following note. (Error) <input type="checkbox"/> ECC support for the TCM ports (Correct) <input type="checkbox"/> ECC support for the TCM ports for RAM
1	Features Peripheral Functions	Revised the full production and SHE-OFF series as follows. (Correct) ■ Built-in Flash memory size <input type="checkbox"/> Program: 1024 K + 64 KB (S6J312AHzB*)/768 K + 64 KB (S6J3129HzB*)/512 K + 64 KB (S6J3128HzB*) <input type="checkbox"/> *z: A/B <input type="checkbox"/> Work: 112 KB (S6J312AHzB*)/ 112 KB (S6J3129HzB*)/112 KB (S6J3128HzB*) <input type="checkbox"/> *z: A/B
1	Features Peripheral Functions	Revised the full production and SHE-OFF series as follows. (Correct) ■ Built-in RAM size <input type="checkbox"/> TCRAM 64 KB(S6J312AHzB*)/ 48 KB(S6J3129HzB*)/32 KB(S6J3128HzB*) <input type="checkbox"/> System SRAM 16 KB (S6J312AHzB*)/ 16 KB (S6J3129HzB*)/ 16 KB (S6J3128HzB*) <input type="checkbox"/> Backup RAM 8 KB (S6J312AHzB*)/ 8 KB (S6J3129HzB*)/8 KB (S6J3128HzB*) <input type="checkbox"/> *z: A/B
1	Features Peripheral Functions	Revised the full production and SHE-OFF series as follows. (Correct) ■ General-purpose ports: 112 channels (S6J312AHzB*)/ 112 channels (S6J3129HzB*)/ 112 channels (S6J3128HzB*) <input type="checkbox"/> *z: A/B
1	Features Peripheral Functions	Revised the full production and SHE-OFF series as follows. (Correct) ■ A/D converter (successive approximation type) <input type="checkbox"/> 12-bit resolution, 2 units mounted: Max 50 channels (22 channels + 28 channels)(S6J312AHzB*)/ Max 50 channels (22 channels + 28 channels)(S6J3129HzB*)/ Max 50 channels (22 channels + 28 channels)(S6J3128HzB*) <input type="checkbox"/> *z: A/B
1	Features Peripheral Functions	Revised the full production and SHE-OFF series as follows. (Correct) ■ Multi-function serial (transmission and reception FIFOs mounted) :Max 10 channels(S6J312AHzB*)/ Max 10 channels(S6J3129HzB*)/ Max 10 channels(S6J3128HzB*) <input type="checkbox"/> *z: A/B
1	Features Peripheral Functions	Added the following function lists. ²C <input type="checkbox"/> Full duplex, double buffering system; 64-byte transmission FIFO, 64-byte reception FIFO <input type="checkbox"/> Standard mode (Max. 100kbps) is supported only. <input type="checkbox"/> DMA transfer is supported.
2	Features Peripheral Functions	Revised the following function list. (Error) <input type="checkbox"/> CAN transfer speed :1Mbps (Correct) <input type="checkbox"/> CAN transfer speed :5Mbps

Page	Section	Change Results
2	Features Peripheral Functions	Added the following function list under CAN controller. □ 32 message buffer/channel (transmission message buffer size)
2	Features Peripheral Functions	Added the following function list under Low-power consumption. □ Partial wakeup function
2	Features Peripheral Functions	Revised the follows as full production. (Correct) ■ Package: LEU144 (S6J312xHzB*) □ *x: A/9/8, z: A/B
6	1. Product Lineup	Added "Table 3-1 Memory Size" as full production.
6	1. Product Lineup	Added "Table 3-2 SHE Option" as full production.
6	1. Product Lineup	Added full production and notes as follows. *1: x: A/9/8, z: A/B *2: I ² C-UART function is not supported at Multi-function serial ch.1, ch.2, and ch.12.
6	1. Product Lineup	Revised the following frequency. (Correct) Maximum CPU operating frequency : 128 MHz
7	1. Product Lineup	Added the following function list under Low-power consumption. – Partial wakeup function
8	2. Pin Assignment	Revised "Figure 4-1 Pin Assignment for S6J312xHzB*" as follows. (Correct) * x: A/9/8, z: A/B 
9	3. Pin Description	Revised the tables as follows for full production. (Correct) Table 5-1 S6J312xHzB* Pin Functions * x: A/9/8, z: A/B

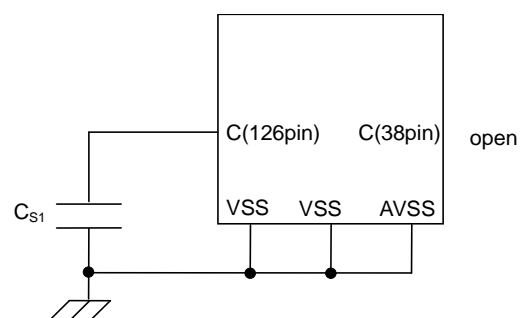
Page	Section	Change Results																																																	
10,11,12,15,16,17,18,20,21,24	3. Pin Description	<p>Revised the "I/O pin" to "output pin" as follows (Correct)</p> <p>Pin 13 Multi-function serial ch.11 serial chip select 1 output pin (0) Pin14 Multi-function serial ch.11 serial chip select 2 output pin (0) Pin 15 Multi-function serial ch.11 serial chip select 3 output pin (0) Pin 23 Multi-function serial ch.4 serial chip select 2 output pin (1) Pin 26 Multi-function serial ch.4 serial chip select 3 output pin (1) Pin 49 Multi-function serial ch.9 serial chip select 1 output pin (0) Pin 50 Multi-function serial ch.9 serial chip select 2 output pin (0) Pin 51 Multi-function serial ch.9 serial chip select 3 output pin (0) Pin 62 Multi-function serial ch.4 serial chip select 3 output pin (0) Pin 64 Multi-function serial ch.4 serial chip select 2 output pin (0) Pin 68 Multi-function serial ch.4 serial chip select 1 output pin (0) Pin 76 Multi-function serial ch.8 serial chip select 3 output pin (0) Pin 78 Multi-function serial ch.8 serial chip select 1 output pin (0) Pin 97 Multi-function serial ch.10 serial chip select 2 output pin (0) Pin 100 Multi-function serial ch.10 serial chip select 1 output pin (0) Pin 136 Multi-function serial ch.10 serial chip select 1 output pin (1) Pin 137 Multi-function serial ch.10 serial chip select 3 output pin (1)</p>																																																	
19	3. Pin Description	<p>Deleted Pin87 RX0_1 from "Table 5-1 S6J312xHzB* Pin Functions" (Error)</p> <table border="1"> <tr> <td rowspan="8">87</td> <td>P229</td> <td>-</td> <td rowspan="8">M</td> <td>General-purpose I/O port</td> </tr> <tr> <td>INT8_0</td> <td>-</td> <td>INT8 external interrupt input pin (0)</td> </tr> <tr> <td>AN46</td> <td>-</td> <td>ADC analog 46 input pin</td> </tr> <tr> <td>PWU_AN6</td> <td>-</td> <td>Partial wakeup ADC analog 6 input pin</td> </tr> <tr> <td>RX0_1</td> <td>-</td> <td>CAN reception data 0 input pin (1)</td> </tr> <tr> <td>OUT0_0</td> <td>-</td> <td>Output compare ch.0 output pin (0)</td> </tr> <tr> <td>TIOA25_0</td> <td>-</td> <td>Base timer ch.25 TIOA I/O pin (0)</td> </tr> <tr> <td>PWM1P0</td> <td>-</td> <td>SMC ch.0 (P1) output pin</td> </tr> </table> <p>(Correct)</p> <table border="1"> <tr> <td rowspan="7">87</td> <td>P229</td> <td>-</td> <td rowspan="7">M</td> <td>General-purpose I/O port</td> </tr> <tr> <td>INT8_0</td> <td>-</td> <td>INT8 external interrupt input pin (0)</td> </tr> <tr> <td>AN46</td> <td>-</td> <td>ADC analog 46 input pin</td> </tr> <tr> <td>PWU_AN6</td> <td>-</td> <td>Partial wakeup ADC analog 6 input pin</td> </tr> <tr> <td>OUT0_0</td> <td>-</td> <td>Output compare ch.0 output pin (0)</td> </tr> <tr> <td>TIOA25_0</td> <td>-</td> <td>Base timer ch.25 TIOA I/O pin (0)</td> </tr> <tr> <td>PWM1P0</td> <td>-</td> <td>SMC ch.0 (P1) output pin</td> </tr> </table>	87	P229	-	M	General-purpose I/O port	INT8_0	-	INT8 external interrupt input pin (0)	AN46	-	ADC analog 46 input pin	PWU_AN6	-	Partial wakeup ADC analog 6 input pin	RX0_1	-	CAN reception data 0 input pin (1)	OUT0_0	-	Output compare ch.0 output pin (0)	TIOA25_0	-	Base timer ch.25 TIOA I/O pin (0)	PWM1P0	-	SMC ch.0 (P1) output pin	87	P229	-	M	General-purpose I/O port	INT8_0	-	INT8 external interrupt input pin (0)	AN46	-	ADC analog 46 input pin	PWU_AN6	-	Partial wakeup ADC analog 6 input pin	OUT0_0	-	Output compare ch.0 output pin (0)	TIOA25_0	-	Base timer ch.25 TIOA I/O pin (0)	PWM1P0	-	SMC ch.0 (P1) output pin
87	P229	-		M	General-purpose I/O port																																														
	INT8_0	-			INT8 external interrupt input pin (0)																																														
	AN46	-			ADC analog 46 input pin																																														
	PWU_AN6	-			Partial wakeup ADC analog 6 input pin																																														
	RX0_1	-			CAN reception data 0 input pin (1)																																														
	OUT0_0	-			Output compare ch.0 output pin (0)																																														
	TIOA25_0	-			Base timer ch.25 TIOA I/O pin (0)																																														
	PWM1P0	-	SMC ch.0 (P1) output pin																																																
87	P229	-	M	General-purpose I/O port																																															
	INT8_0	-		INT8 external interrupt input pin (0)																																															
	AN46	-		ADC analog 46 input pin																																															
	PWU_AN6	-		Partial wakeup ADC analog 6 input pin																																															
	OUT0_0	-		Output compare ch.0 output pin (0)																																															
	TIOA25_0	-		Base timer ch.25 TIOA I/O pin (0)																																															
	PWM1P0	-		SMC ch.0 (P1) output pin																																															

Page	Section	Change Results																																																					
20	3. Pin Description	<p>Deleted Pin97 RX0_0 from “Table 5-1 S6J312xHzB* Pin Functions” (Error)</p> <table border="1"> <tr> <td rowspan="7">97</td> <td>P307</td> <td>-</td> <td rowspan="7">M</td> <td>General-purpose I/O port</td> </tr> <tr> <td>INT1_0</td> <td>-</td> <td>INT1 external interrupt input pin (0)</td> </tr> <tr> <td>AN55</td> <td>-</td> <td>ADC analog 55 input pin</td> </tr> <tr> <td>RX0_0</td> <td>-</td> <td>CAN reception data 0 input pin (0)</td> </tr> <tr> <td>SCS102_0</td> <td>-</td> <td>Multi-function serial ch.10 serial chip select</td> </tr> <tr> <td>TIOB18_0</td> <td>-</td> <td>2 I/O pin (0)</td> </tr> <tr> <td>PWM1P2</td> <td>-</td> <td>Base timer ch.18 TIOB input pin (0)</td> </tr> <tr> <td colspan="4"></td> <td>SMC ch.2 (P1) output pin</td> </tr> </table> <p>(Correct)</p> <table border="1"> <tr> <td rowspan="6">97</td> <td>P307</td> <td>-</td> <td rowspan="6">M</td> <td>General-purpose I/O port</td> </tr> <tr> <td>INT1_0</td> <td>-</td> <td>INT1 external interrupt input pin (0)</td> </tr> <tr> <td>AN55</td> <td>-</td> <td>ADC analog 55 input pin</td> </tr> <tr> <td>SCS102_0</td> <td>-</td> <td>Multi-function serial ch.10 serial chip select</td> </tr> <tr> <td>TIOB18_0</td> <td>-</td> <td>2 output pin (0)</td> </tr> <tr> <td>PWM1P2</td> <td>-</td> <td>Base timer ch.18 TIOB input pin (0)</td> </tr> <tr> <td colspan="4"></td> <td>SMC ch.2 (P1) output pin</td> </tr> </table>	97	P307	-	M	General-purpose I/O port	INT1_0	-	INT1 external interrupt input pin (0)	AN55	-	ADC analog 55 input pin	RX0_0	-	CAN reception data 0 input pin (0)	SCS102_0	-	Multi-function serial ch.10 serial chip select	TIOB18_0	-	2 I/O pin (0)	PWM1P2	-	Base timer ch.18 TIOB input pin (0)					SMC ch.2 (P1) output pin	97	P307	-	M	General-purpose I/O port	INT1_0	-	INT1 external interrupt input pin (0)	AN55	-	ADC analog 55 input pin	SCS102_0	-	Multi-function serial ch.10 serial chip select	TIOB18_0	-	2 output pin (0)	PWM1P2	-	Base timer ch.18 TIOB input pin (0)					SMC ch.2 (P1) output pin
97	P307	-		M	General-purpose I/O port																																																		
	INT1_0	-			INT1 external interrupt input pin (0)																																																		
	AN55	-			ADC analog 55 input pin																																																		
	RX0_0	-			CAN reception data 0 input pin (0)																																																		
	SCS102_0	-			Multi-function serial ch.10 serial chip select																																																		
	TIOB18_0	-			2 I/O pin (0)																																																		
	PWM1P2	-	Base timer ch.18 TIOB input pin (0)																																																				
				SMC ch.2 (P1) output pin																																																			
97	P307	-	M	General-purpose I/O port																																																			
	INT1_0	-		INT1 external interrupt input pin (0)																																																			
	AN55	-		ADC analog 55 input pin																																																			
	SCS102_0	-		Multi-function serial ch.10 serial chip select																																																			
	TIOB18_0	-		2 output pin (0)																																																			
	PWM1P2	-		Base timer ch.18 TIOB input pin (0)																																																			
				SMC ch.2 (P1) output pin																																																			
9,10,11,15,16,17,19,21	3. Pin Description	<p>Added the I2C function to Pin 6,7,10,11,18,19,57,58,63,65,80,81,101,102</p> <p>Pin 6 SDA3_0 I²C bus ch.3 serial data I/O pin Pin 7 SCL3_0 I²C bus ch.3 serial clock I/O pin Pin 10 SDA11_0 I²C bus ch.11 serial data I/O pin Pin 11 SCL11_0 I²C bus ch.11 serial clock I/O pin Pin 18 SDA_0 I²C bus ch.0 serial data I/O pin Pin 19 SCL_0 I²C bus ch.0 serial clock I/O pin Pin 57 SDA9_0 I²C bus ch.9 serial data I/O pin Pin 58 SCL9_0 I²C bus ch.9 serial clock I/O pin Pin 63 SDA4_0 I²C bus ch.4 serial data I/O pin Pin 65 SCL4_0 I²C bus ch.4 serial clock I/O pin Pin 80 SDA8_0 I²C bus ch.8 serial data I/O pin Pin 81 SCL8_0 I²C bus ch.8 serial clock I/O pin Pin 101 SDA10_0 I²C bus ch.10 serial data I/O pin Pin 102 SCL10_0 I²C bus ch.10 serial clock I/O pin</p>																																																					
18,19	3. Pin Description	<p>Added the Partial wakeup ADC analog input to Pin 78,79,80,81,87,88.</p> <p>Pin78 PWU_AN0 Partial wakeup ADC analog 0 input pin Pin79 PWU_AN1 Partial wakeup ADC analog 1 input pin Pin80 PWU_AN2 Partial wakeup ADC analog 2 input pin Pin81 PWU_AN3 Partial wakeup ADC analog 3 input pin Pin87 PWU_AN6 Partial wakeup ADC analog 6 input pin Pin88 PWU_AN7 Partial wakeup ADC analog 7 input pin</p>																																																					
21	3. Pin Description	<p>Added the Partial wakeup trigger output to Pin 107.</p> <p>Pin107 PWUTRG Partial wakeup trigger output pin</p>																																																					
19, 20, 23	3. Pin Description	<p>Deleted the following function on each pins.</p> <p>Pin 87 RX0_1 CAN reception data 0 input pin (1) Pin 97 RX0_0 CAN reception data 0 input pin (0) Pin131 RX2_1 CAN reception data 2 output pin (1) Pin132 TX2_1 CAN transmission data 2 output pin (1)</p>																																																					

Page	Section	Change Results
27	4. I/O Circuit Types	<p>Revised Type C of “I/O Circuit Type” as follows: (Correct)</p> 
30	4. I/O Circuit Types	<p>Added Type R to “11. I/O Circuit Type” R</p>  <p>Output of 2 mA</p>
37	6. Handling Devices	<p>Revised the Vss Pin in Figure 8-1 Pin Assignment. (Correct)</p> <p style="text-align: center;">Figure 8-1 Pin Assignment</p> 
38	6. Handling Devices	<p>Revised the items as follows. (Correct)</p> <p>This device has a built-in voltage step-down circuit. Be sure to connect a capacitor to the C pin (pin 126 in S6J312xHzB* specifications) for internal stabilization of the device. For the standard values, see “Recommended operating conditions” in the latest data sheet. *x: A/9/8, z: A/B</p>
39	7. Block Diagram	<p>Revised the title as follows. (Correct)</p> <p>Figure 9-1 S6J312xHzB* Block Diagram *x: A/9/8, z: A/B</p>
39	7. Block Diagram	<p>Added “Partial Wake up” to “Block Diagram”</p>

Page	Section	Change Results																																																																																																																																																																																																																																																																								
40	8. Memory Map	<p>Revised "Figure 10-1 Memory Map" as full production. (Correct)</p> <p style="text-align: center;">Figure 10-1 Memory Map(S6J312AHzB/9HzB/8HzB*)</p> <p style="text-align: center;">*z: A/B</p> <table border="1"> <thead> <tr> <th>ADDRESS START END</th> <th>group</th> <th>S6J312AHzB* part</th> <th>S6J3129HzB* part</th> <th>S6J3128HzB* part</th> </tr> </thead> <tbody> <tr> <td>0x000_0000</td> <td rowspan="20">Internal area for CRS Complex</td> <td>TCRAM (Main 64KByte)</td> <td>TCRAM (Main 48KByte)</td> <td>TCRAM (Main 32KByte)</td> </tr> <tr> <td>0x000_8000</td> <td>Reserved</td> <td>Reserved</td> <td>Reserved</td> </tr> <tr> <td>0x000_C000</td> <td>Reserved</td> <td>Reserved</td> <td>Reserved</td> </tr> <tr> <td>0x001_0000</td> <td>Reserved</td> <td>Reserved</td> <td>Reserved</td> </tr> <tr> <td>0x008_0000</td> <td>Reserved</td> <td>Reserved</td> <td>Reserved</td> </tr> <tr> <td>0x009F_0000</td> <td>TCM_FLASH (Small Sector 8KByte×8)</td> <td>TCM_FLASH (Small Sector 8KByte×8)</td> <td>TCM_FLASH (Small Sector 8KByte×8)</td> </tr> <tr> <td>0x00A0_0000</td> <td>Reserved</td> <td>Reserved</td> <td>Reserved</td> </tr> <tr> <td>0x00A7_FFFF</td> <td>TCM_FLASH (Code 1MByte)</td> <td>TCM_FLASH (Code 768KByte)</td> <td>TCM_FLASH (Code 512KByte)</td> </tr> <tr> <td>0x00AB_0000</td> <td>Reserved</td> <td>Reserved</td> <td>Reserved</td> </tr> <tr> <td>0x00AC_0000</td> <td>Reserved</td> <td>Reserved</td> <td>Reserved</td> </tr> <tr> <td>0x00B0_0000</td> <td>Reserved</td> <td>Reserved</td> <td>Reserved</td> </tr> <tr> <td>0x00DF_FFFF</td> <td>Reserved</td> <td>Reserved</td> <td>Reserved</td> </tr> <tr> <td>0x00E0_0000</td> <td>Reserved</td> <td>Reserved</td> <td>Reserved</td> </tr> <tr> <td>0x0100_0000</td> <td>Reserved</td> <td>Reserved</td> <td>Reserved</td> </tr> <tr> <td>0x019F_0000</td> <td>AXI_FLASH_MEMORY (Small Sector 8KByte×8 *Mirror)</td> <td>AXI_FLASH_MEMORY (Small Sector 8KByte×8 *Mirror)</td> <td>AXI_FLASH_MEMORY (Small Sector 8KByte×8 *Mirror)</td> </tr> <tr> <td>0x01A0_0000</td> <td>Reserved</td> <td>Reserved</td> <td>Reserved</td> </tr> <tr> <td>0x01A7_FFFF</td> <td>AXI_FLASH_MEMORY (Code 1MByte *Mirror)</td> <td>AXI_FLASH_MEMORY (Code 768KByte *Mirror)</td> <td>AXI_FLASH_MEMORY (Code 512KByte *Mirror)</td> </tr> <tr> <td>0x01A8_0000</td> <td>Reserved</td> <td>Reserved</td> <td>Reserved</td> </tr> <tr> <td>0x01AC_0000</td> <td>Reserved</td> <td>Reserved</td> <td>Reserved</td> </tr> <tr> <td>0x01B0_0000</td> <td>Reserved</td> <td>Reserved</td> <td>Reserved</td> </tr> <tr> <td>0x01DF_FFFF</td> <td>Reserved</td> <td>Reserved</td> <td>Reserved</td> </tr> <tr> <td>0x01E0_0000</td> <td>Reserved</td> <td>Reserved</td> <td>Reserved</td> </tr> <tr> <td>0x0200_0000</td> <td>SYSTEM SRAM (16KByte)</td> <td>SYSTEM SRAM (16KByte)</td> <td>SYSTEM SRAM (16KByte)</td> </tr> <tr> <td>0x0200_4000</td> <td>Reserved</td> <td>Reserved</td> <td>Reserved</td> </tr> <tr> <td>0x0204_0000</td> <td>Reserved</td> <td>Reserved</td> <td>Reserved</td> </tr> <tr> <td>0x0220_0000</td> <td>Exclusive Access Memory</td> <td>Exclusive Access Memory</td> <td>Exclusive Access Memory</td> </tr> <tr> <td>0x0280_0000</td> <td>Reserved</td> <td>Reserved</td> <td>Reserved</td> </tr> <tr> <td>0x0280_1000</td> <td>Reserved</td> <td>Reserved</td> <td>Reserved</td> </tr> <tr> <td>0x0600_0000</td> <td>AXI_SLAVE_CORE0</td> <td>AXI_SLAVE_CORE0</td> <td>AXI_SLAVE_CORE0</td> </tr> <tr> <td>0x0DFF_FFFF</td> <td>Reserved</td> <td>Reserved</td> <td>Reserved</td> </tr> <tr> <td>0x0E00_0000</td> <td rowspan="16">Shared Flash and memory area</td> <td>WORK_FLASH (112KByte mirror area 1)</td> <td>WORK_FLASH (112KByte mirror area 1)</td> <td>WORK_FLASH (112KByte mirror area 1)</td> </tr> <tr> <td>0x0E01_0000</td> <td>Reserved</td> <td>Reserved</td> <td>Reserved</td> </tr> <tr> <td>0x0E10_0000</td> <td>Reserved</td> <td>Reserved</td> <td>Reserved</td> </tr> <tr> <td>0x0E20_0000</td> <td>WORK_FLASH (112KByte mirror area 3)</td> <td>WORK_FLASH (112KByte mirror area 3)</td> <td>WORK_FLASH (112KByte mirror area 3)</td> </tr> <tr> <td>0x0E21_0000</td> <td>Reserved</td> <td>Reserved</td> <td>Reserved</td> </tr> <tr> <td>0x0E21_C000</td> <td>WORK_FLASH (112KByte mirror area 4)</td> <td>WORK_FLASH (112KByte mirror area 4)</td> <td>WORK_FLASH (112KByte mirror area 4)</td> </tr> <tr> <td>0x0E30_0000</td> <td>Reserved</td> <td>Reserved</td> <td>Reserved</td> </tr> <tr> <td>0x0E31_0000</td> <td>Reserved</td> <td>Reserved</td> <td>Reserved</td> </tr> <tr> <td>0x0E31_C000</td> <td>Reserved</td> <td>Reserved</td> <td>Reserved</td> </tr> <tr> <td>0x0E40_0000</td> <td>Reserved</td> <td>Reserved</td> <td>Reserved</td> </tr> <tr> <td>0x0E80_0000</td> <td>Backup RAM 8KByte</td> <td>Backup RAM 8KByte</td> <td>Backup RAM 8KByte</td> </tr> <tr> <td>0x0E80_2000</td> <td>Reserved</td> <td>Reserved</td> <td>Reserved</td> </tr> <tr> <td>0x0E81_0000</td> <td>Reserved</td> <td>Reserved</td> <td>Reserved</td> </tr> <tr> <td>0x0E88_0000</td> <td>Reserved</td> <td>Reserved</td> <td>Reserved</td> </tr> <tr> <td>0x0FFF_FFFF</td> <td>Reserved</td> <td>Reserved</td> <td>Reserved</td> </tr> <tr> <td>0x1000_0000</td> <td rowspan="2">Reserved</td> <td>EBI_MEMORY(SRAM/FLASH)</td> <td>EBI_MEMORY(SRAM/FLASH)</td> <td>EBI_MEMORY(SRAM/FLASH)</td> </tr> <tr> <td>0x2000_0000</td> <td>Reserved</td> <td>Reserved</td> <td>Reserved</td> </tr> <tr> <td>0x7FFF_FFFF</td> <td rowspan="2">HSSPI memory area</td> <td>Reserved</td> <td>Reserved</td> <td>Reserved</td> </tr> <tr> <td>0x8000_0000</td> <td>HSSPI0_MEMORY</td> <td>HSSPI0_MEMORY</td> <td>HSSPI0_MEMORY</td> </tr> <tr> <td>0x9000_0000</td> <td>Reserved</td> <td>Reserved</td> <td>Reserved</td> </tr> <tr> <td>0xAFFF_FFFF</td> <td rowspan="4">Peri area</td> <td>Reserved</td> <td>Reserved</td> <td>Reserved</td> </tr> <tr> <td>0xB000_0000</td> <td>Peri_area</td> <td>Peri_area</td> <td>Peri_area</td> </tr> <tr> <td>0xB484_0000</td> <td>APPS#5</td> <td>APPS#5</td> <td>APPS#5</td> </tr> <tr> <td>0xB485_0000</td> <td>Reserved</td> <td>Reserved</td> <td>Reserved</td> </tr> <tr> <td>0xB48B_FFFF</td> <td rowspan="4">Peri area</td> <td>Reserved</td> <td>Reserved</td> <td>Reserved</td> </tr> <tr> <td>0xB48C_0000</td> <td>APPS#7</td> <td>APPS#7</td> <td>APPS#7</td> </tr> <tr> <td>0xB48D_0000</td> <td>Peri_area</td> <td>Peri_area</td> <td>Peri_area</td> </tr> <tr> <td>0xB800_0000</td> <td>Reserved</td> <td>Reserved</td> <td>Reserved</td> </tr> <tr> <td>0xC000_0000</td> <td>Reserved</td> <td>Reserved</td> <td>Reserved</td> </tr> <tr> <td>0xFFFE_DFFF</td> <td rowspan="4">Error Config</td> <td>Reserved</td> <td>Reserved</td> <td>Reserved</td> </tr> <tr> <td>0xFFFE_E000</td> <td>ERRCFG</td> <td>ERRCFG</td> <td>ERRCFG</td> </tr> <tr> <td>0xFFFF_0000</td> <td>BootRom</td> <td>BootRom</td> <td>BootRom</td> </tr> <tr> <td>0xFFFF_4000</td> <td>Reserved</td> <td>Reserved</td> <td>Reserved</td> </tr> </tbody> </table>	ADDRESS START END	group	S6J312AHzB* part	S6J3129HzB* part	S6J3128HzB* part	0x000_0000	Internal area for CRS Complex	TCRAM (Main 64KByte)	TCRAM (Main 48KByte)	TCRAM (Main 32KByte)	0x000_8000	Reserved	Reserved	Reserved	0x000_C000	Reserved	Reserved	Reserved	0x001_0000	Reserved	Reserved	Reserved	0x008_0000	Reserved	Reserved	Reserved	0x009F_0000	TCM_FLASH (Small Sector 8KByte×8)	TCM_FLASH (Small Sector 8KByte×8)	TCM_FLASH (Small Sector 8KByte×8)	0x00A0_0000	Reserved	Reserved	Reserved	0x00A7_FFFF	TCM_FLASH (Code 1MByte)	TCM_FLASH (Code 768KByte)	TCM_FLASH (Code 512KByte)	0x00AB_0000	Reserved	Reserved	Reserved	0x00AC_0000	Reserved	Reserved	Reserved	0x00B0_0000	Reserved	Reserved	Reserved	0x00DF_FFFF	Reserved	Reserved	Reserved	0x00E0_0000	Reserved	Reserved	Reserved	0x0100_0000	Reserved	Reserved	Reserved	0x019F_0000	AXI_FLASH_MEMORY (Small Sector 8KByte×8 *Mirror)	AXI_FLASH_MEMORY (Small Sector 8KByte×8 *Mirror)	AXI_FLASH_MEMORY (Small Sector 8KByte×8 *Mirror)	0x01A0_0000	Reserved	Reserved	Reserved	0x01A7_FFFF	AXI_FLASH_MEMORY (Code 1MByte *Mirror)	AXI_FLASH_MEMORY (Code 768KByte *Mirror)	AXI_FLASH_MEMORY (Code 512KByte *Mirror)	0x01A8_0000	Reserved	Reserved	Reserved	0x01AC_0000	Reserved	Reserved	Reserved	0x01B0_0000	Reserved	Reserved	Reserved	0x01DF_FFFF	Reserved	Reserved	Reserved	0x01E0_0000	Reserved	Reserved	Reserved	0x0200_0000	SYSTEM SRAM (16KByte)	SYSTEM SRAM (16KByte)	SYSTEM SRAM (16KByte)	0x0200_4000	Reserved	Reserved	Reserved	0x0204_0000	Reserved	Reserved	Reserved	0x0220_0000	Exclusive Access Memory	Exclusive Access Memory	Exclusive Access Memory	0x0280_0000	Reserved	Reserved	Reserved	0x0280_1000	Reserved	Reserved	Reserved	0x0600_0000	AXI_SLAVE_CORE0	AXI_SLAVE_CORE0	AXI_SLAVE_CORE0	0x0DFF_FFFF	Reserved	Reserved	Reserved	0x0E00_0000	Shared Flash and memory area	WORK_FLASH (112KByte mirror area 1)	WORK_FLASH (112KByte mirror area 1)	WORK_FLASH (112KByte mirror area 1)	0x0E01_0000	Reserved	Reserved	Reserved	0x0E10_0000	Reserved	Reserved	Reserved	0x0E20_0000	WORK_FLASH (112KByte mirror area 3)	WORK_FLASH (112KByte mirror area 3)	WORK_FLASH (112KByte mirror area 3)	0x0E21_0000	Reserved	Reserved	Reserved	0x0E21_C000	WORK_FLASH (112KByte mirror area 4)	WORK_FLASH (112KByte mirror area 4)	WORK_FLASH (112KByte mirror area 4)	0x0E30_0000	Reserved	Reserved	Reserved	0x0E31_0000	Reserved	Reserved	Reserved	0x0E31_C000	Reserved	Reserved	Reserved	0x0E40_0000	Reserved	Reserved	Reserved	0x0E80_0000	Backup RAM 8KByte	Backup RAM 8KByte	Backup RAM 8KByte	0x0E80_2000	Reserved	Reserved	Reserved	0x0E81_0000	Reserved	Reserved	Reserved	0x0E88_0000	Reserved	Reserved	Reserved	0x0FFF_FFFF	Reserved	Reserved	Reserved	0x1000_0000	Reserved	EBI_MEMORY(SRAM/FLASH)	EBI_MEMORY(SRAM/FLASH)	EBI_MEMORY(SRAM/FLASH)	0x2000_0000	Reserved	Reserved	Reserved	0x7FFF_FFFF	HSSPI memory area	Reserved	Reserved	Reserved	0x8000_0000	HSSPI0_MEMORY	HSSPI0_MEMORY	HSSPI0_MEMORY	0x9000_0000	Reserved	Reserved	Reserved	0xAFFF_FFFF	Peri area	Reserved	Reserved	Reserved	0xB000_0000	Peri_area	Peri_area	Peri_area	0xB484_0000	APPS#5	APPS#5	APPS#5	0xB485_0000	Reserved	Reserved	Reserved	0xB48B_FFFF	Peri area	Reserved	Reserved	Reserved	0xB48C_0000	APPS#7	APPS#7	APPS#7	0xB48D_0000	Peri_area	Peri_area	Peri_area	0xB800_0000	Reserved	Reserved	Reserved	0xC000_0000	Reserved	Reserved	Reserved	0xFFFE_DFFF	Error Config	Reserved	Reserved	Reserved	0xFFFE_E000	ERRCFG	ERRCFG	ERRCFG	0xFFFF_0000	BootRom	BootRom	BootRom	0xFFFF_4000	Reserved	Reserved	Reserved
ADDRESS START END	group	S6J312AHzB* part	S6J3129HzB* part	S6J3128HzB* part																																																																																																																																																																																																																																																																						
0x000_0000	Internal area for CRS Complex	TCRAM (Main 64KByte)	TCRAM (Main 48KByte)	TCRAM (Main 32KByte)																																																																																																																																																																																																																																																																						
0x000_8000		Reserved	Reserved	Reserved																																																																																																																																																																																																																																																																						
0x000_C000		Reserved	Reserved	Reserved																																																																																																																																																																																																																																																																						
0x001_0000		Reserved	Reserved	Reserved																																																																																																																																																																																																																																																																						
0x008_0000		Reserved	Reserved	Reserved																																																																																																																																																																																																																																																																						
0x009F_0000		TCM_FLASH (Small Sector 8KByte×8)	TCM_FLASH (Small Sector 8KByte×8)	TCM_FLASH (Small Sector 8KByte×8)																																																																																																																																																																																																																																																																						
0x00A0_0000		Reserved	Reserved	Reserved																																																																																																																																																																																																																																																																						
0x00A7_FFFF		TCM_FLASH (Code 1MByte)	TCM_FLASH (Code 768KByte)	TCM_FLASH (Code 512KByte)																																																																																																																																																																																																																																																																						
0x00AB_0000		Reserved	Reserved	Reserved																																																																																																																																																																																																																																																																						
0x00AC_0000		Reserved	Reserved	Reserved																																																																																																																																																																																																																																																																						
0x00B0_0000		Reserved	Reserved	Reserved																																																																																																																																																																																																																																																																						
0x00DF_FFFF		Reserved	Reserved	Reserved																																																																																																																																																																																																																																																																						
0x00E0_0000		Reserved	Reserved	Reserved																																																																																																																																																																																																																																																																						
0x0100_0000		Reserved	Reserved	Reserved																																																																																																																																																																																																																																																																						
0x019F_0000		AXI_FLASH_MEMORY (Small Sector 8KByte×8 *Mirror)	AXI_FLASH_MEMORY (Small Sector 8KByte×8 *Mirror)	AXI_FLASH_MEMORY (Small Sector 8KByte×8 *Mirror)																																																																																																																																																																																																																																																																						
0x01A0_0000		Reserved	Reserved	Reserved																																																																																																																																																																																																																																																																						
0x01A7_FFFF		AXI_FLASH_MEMORY (Code 1MByte *Mirror)	AXI_FLASH_MEMORY (Code 768KByte *Mirror)	AXI_FLASH_MEMORY (Code 512KByte *Mirror)																																																																																																																																																																																																																																																																						
0x01A8_0000		Reserved	Reserved	Reserved																																																																																																																																																																																																																																																																						
0x01AC_0000		Reserved	Reserved	Reserved																																																																																																																																																																																																																																																																						
0x01B0_0000		Reserved	Reserved	Reserved																																																																																																																																																																																																																																																																						
0x01DF_FFFF	Reserved	Reserved	Reserved																																																																																																																																																																																																																																																																							
0x01E0_0000	Reserved	Reserved	Reserved																																																																																																																																																																																																																																																																							
0x0200_0000	SYSTEM SRAM (16KByte)	SYSTEM SRAM (16KByte)	SYSTEM SRAM (16KByte)																																																																																																																																																																																																																																																																							
0x0200_4000	Reserved	Reserved	Reserved																																																																																																																																																																																																																																																																							
0x0204_0000	Reserved	Reserved	Reserved																																																																																																																																																																																																																																																																							
0x0220_0000	Exclusive Access Memory	Exclusive Access Memory	Exclusive Access Memory																																																																																																																																																																																																																																																																							
0x0280_0000	Reserved	Reserved	Reserved																																																																																																																																																																																																																																																																							
0x0280_1000	Reserved	Reserved	Reserved																																																																																																																																																																																																																																																																							
0x0600_0000	AXI_SLAVE_CORE0	AXI_SLAVE_CORE0	AXI_SLAVE_CORE0																																																																																																																																																																																																																																																																							
0x0DFF_FFFF	Reserved	Reserved	Reserved																																																																																																																																																																																																																																																																							
0x0E00_0000	Shared Flash and memory area	WORK_FLASH (112KByte mirror area 1)	WORK_FLASH (112KByte mirror area 1)	WORK_FLASH (112KByte mirror area 1)																																																																																																																																																																																																																																																																						
0x0E01_0000		Reserved	Reserved	Reserved																																																																																																																																																																																																																																																																						
0x0E10_0000		Reserved	Reserved	Reserved																																																																																																																																																																																																																																																																						
0x0E20_0000		WORK_FLASH (112KByte mirror area 3)	WORK_FLASH (112KByte mirror area 3)	WORK_FLASH (112KByte mirror area 3)																																																																																																																																																																																																																																																																						
0x0E21_0000		Reserved	Reserved	Reserved																																																																																																																																																																																																																																																																						
0x0E21_C000		WORK_FLASH (112KByte mirror area 4)	WORK_FLASH (112KByte mirror area 4)	WORK_FLASH (112KByte mirror area 4)																																																																																																																																																																																																																																																																						
0x0E30_0000		Reserved	Reserved	Reserved																																																																																																																																																																																																																																																																						
0x0E31_0000		Reserved	Reserved	Reserved																																																																																																																																																																																																																																																																						
0x0E31_C000		Reserved	Reserved	Reserved																																																																																																																																																																																																																																																																						
0x0E40_0000		Reserved	Reserved	Reserved																																																																																																																																																																																																																																																																						
0x0E80_0000		Backup RAM 8KByte	Backup RAM 8KByte	Backup RAM 8KByte																																																																																																																																																																																																																																																																						
0x0E80_2000		Reserved	Reserved	Reserved																																																																																																																																																																																																																																																																						
0x0E81_0000		Reserved	Reserved	Reserved																																																																																																																																																																																																																																																																						
0x0E88_0000		Reserved	Reserved	Reserved																																																																																																																																																																																																																																																																						
0x0FFF_FFFF		Reserved	Reserved	Reserved																																																																																																																																																																																																																																																																						
0x1000_0000		Reserved	EBI_MEMORY(SRAM/FLASH)	EBI_MEMORY(SRAM/FLASH)	EBI_MEMORY(SRAM/FLASH)																																																																																																																																																																																																																																																																					
0x2000_0000	Reserved		Reserved	Reserved																																																																																																																																																																																																																																																																						
0x7FFF_FFFF	HSSPI memory area	Reserved	Reserved	Reserved																																																																																																																																																																																																																																																																						
0x8000_0000		HSSPI0_MEMORY	HSSPI0_MEMORY	HSSPI0_MEMORY																																																																																																																																																																																																																																																																						
0x9000_0000	Reserved	Reserved	Reserved																																																																																																																																																																																																																																																																							
0xAFFF_FFFF	Peri area	Reserved	Reserved	Reserved																																																																																																																																																																																																																																																																						
0xB000_0000		Peri_area	Peri_area	Peri_area																																																																																																																																																																																																																																																																						
0xB484_0000		APPS#5	APPS#5	APPS#5																																																																																																																																																																																																																																																																						
0xB485_0000		Reserved	Reserved	Reserved																																																																																																																																																																																																																																																																						
0xB48B_FFFF	Peri area	Reserved	Reserved	Reserved																																																																																																																																																																																																																																																																						
0xB48C_0000		APPS#7	APPS#7	APPS#7																																																																																																																																																																																																																																																																						
0xB48D_0000		Peri_area	Peri_area	Peri_area																																																																																																																																																																																																																																																																						
0xB800_0000		Reserved	Reserved	Reserved																																																																																																																																																																																																																																																																						
0xC000_0000	Reserved	Reserved	Reserved																																																																																																																																																																																																																																																																							
0xFFFE_DFFF	Error Config	Reserved	Reserved	Reserved																																																																																																																																																																																																																																																																						
0xFFFE_E000		ERRCFG	ERRCFG	ERRCFG																																																																																																																																																																																																																																																																						
0xFFFF_0000		BootRom	BootRom	BootRom																																																																																																																																																																																																																																																																						
0xFFFF_4000		Reserved	Reserved	Reserved																																																																																																																																																																																																																																																																						
41	8. Memory Map	<p>Added item as follows.</p> <p>"The ECC movement in TCM port is based on ECC setting inside the CPU."</p>																																																																																																																																																																																																																																																																								
41	8. Memory Map	<p>Revised " S6J312xHAA Peripheral Map" as follows (Correct)</p> <p style="text-align: center;">S6J312xHzB* Peripheral Map</p> <p style="text-align: center;">* x:A/9/8, z:A/B</p>																																																																																																																																																																																																																																																																								

Page	Section	Change Results																																																							
45	8. Memory Map	Added "Partial Wake Up" to address of "B484_8400 to B484_87FF". <table border="1"> <tr> <td>B484_8400</td> <td>B484_87FF</td> <td>APPS #5</td> <td>A/D unit1 , Partial Wake Up</td> <td>297</td> </tr> </table>	B484_8400	B484_87FF	APPS #5	A/D unit1 , Partial Wake Up	297																																																		
B484_8400	B484_87FF	APPS #5	A/D unit1 , Partial Wake Up	297																																																					
45	8. Memory Map	Revised the memory map of APPS#5 as follows. (Correct) <table border="1"> <tr> <td>B484_8C00</td> <td>B484_8FFF</td> <td></td> <td>Reserved</td> <td>-</td> </tr> <tr> <td>B484_9000</td> <td>B484_93FF</td> <td>APPS #5</td> <td>Global Timer</td> <td>300</td> </tr> <tr> <td>B484_9400</td> <td>B484_FFFF</td> <td></td> <td>Reserved</td> <td>-</td> </tr> </table>	B484_8C00	B484_8FFF		Reserved	-	B484_9000	B484_93FF	APPS #5	Global Timer	300	B484_9400	B484_FFFF		Reserved	-																																								
B484_8C00	B484_8FFF		Reserved	-																																																					
B484_9000	B484_93FF	APPS #5	Global Timer	300																																																					
B484_9400	B484_FFFF		Reserved	-																																																					
45	8. Memory Map	Revised the memory map of APPS#7 as follows. (Correct) <table border="1"> <thead> <tr> <th>START Address</th> <th>END Address</th> <th></th> <th>Function</th> <th>PPU No</th> </tr> </thead> <tbody> <tr> <td>B48C_0000</td> <td>B48C_3FFF</td> <td></td> <td>Reserved</td> <td>-</td> </tr> <tr> <td>B48C_4000</td> <td>B48C_43FF</td> <td>APPS #7</td> <td>Stepper Motor Control ch.0</td> <td>317</td> </tr> <tr> <td>B48C_4400</td> <td>B48C_47FF</td> <td>APPS #7</td> <td>Stepper Motor Control ch.1</td> <td>318</td> </tr> <tr> <td>B48C_4800</td> <td>B48C_4BFF</td> <td>APPS #7</td> <td>Stepper Motor Control ch.2</td> <td>319</td> </tr> <tr> <td>B48C_4C00</td> <td>B48C_4FFF</td> <td>APPS #7</td> <td>Stepper Motor Control ch.3</td> <td>320</td> </tr> <tr> <td>B48C_5000</td> <td>B48C_57FF</td> <td></td> <td>Reserved</td> <td>-</td> </tr> <tr> <td>B48C_5800</td> <td>B48C_5BFF</td> <td>APPS #7</td> <td>SMC Trigger Generator</td> <td>323</td> </tr> <tr> <td>B48C_5C00</td> <td>B48C_5FFF</td> <td>APPS #7</td> <td>Liquid Crystal Display Controller</td> <td>324</td> </tr> <tr> <td>B48C_6000</td> <td>B48C_63FF</td> <td>APPS #7</td> <td>Liquid Crystal Display input/output control</td> <td>325</td> </tr> <tr> <td>B48C_6400</td> <td>B48C_FFFF</td> <td></td> <td>Reserved</td> <td>-</td> </tr> </tbody> </table>	START Address	END Address		Function	PPU No	B48C_0000	B48C_3FFF		Reserved	-	B48C_4000	B48C_43FF	APPS #7	Stepper Motor Control ch.0	317	B48C_4400	B48C_47FF	APPS #7	Stepper Motor Control ch.1	318	B48C_4800	B48C_4BFF	APPS #7	Stepper Motor Control ch.2	319	B48C_4C00	B48C_4FFF	APPS #7	Stepper Motor Control ch.3	320	B48C_5000	B48C_57FF		Reserved	-	B48C_5800	B48C_5BFF	APPS #7	SMC Trigger Generator	323	B48C_5C00	B48C_5FFF	APPS #7	Liquid Crystal Display Controller	324	B48C_6000	B48C_63FF	APPS #7	Liquid Crystal Display input/output control	325	B48C_6400	B48C_FFFF		Reserved	-
START Address	END Address		Function	PPU No																																																					
B48C_0000	B48C_3FFF		Reserved	-																																																					
B48C_4000	B48C_43FF	APPS #7	Stepper Motor Control ch.0	317																																																					
B48C_4400	B48C_47FF	APPS #7	Stepper Motor Control ch.1	318																																																					
B48C_4800	B48C_4BFF	APPS #7	Stepper Motor Control ch.2	319																																																					
B48C_4C00	B48C_4FFF	APPS #7	Stepper Motor Control ch.3	320																																																					
B48C_5000	B48C_57FF		Reserved	-																																																					
B48C_5800	B48C_5BFF	APPS #7	SMC Trigger Generator	323																																																					
B48C_5C00	B48C_5FFF	APPS #7	Liquid Crystal Display Controller	324																																																					
B48C_6000	B48C_63FF	APPS #7	Liquid Crystal Display input/output control	325																																																					
B48C_6400	B48C_FFFF		Reserved	-																																																					
45	8. Memory Map	Added the following note. When MPU attribute of Cortex®-R5 is configured as "Normal", store buffer inside Cortex®-R5 can operate and write data can be merged. To avoid influence of this data merger, MPU attribute "Device" or "Strongly Ordered" should be used. MPU attribute "Device" or "Strongly Ordered" must be used for areas below, to avoid this influence. -Backup RAM area (BACKUP_RAM) [0E80_0000 ~ 0E87_FFFF] -Peripheral area (Peri area) [B000_0000 ~ B7FF_FFFF] -Error Config area (ERRCFG) [FFFE_E000 ~ FFFE_FFFF] MPU attribute "Device" or "Strongly Ordered" is required for accesses to areas below, in particular situation. - FLASH Memory (when writing commands)																																																							
45	8. Memory Map	Added the following note. SHE OFF product is prohibited to access SHE area (B200_0000 to B20F_FFFF)																																																							
46,47	9. Pin Status in CPU Status	Added Pin name about I ² C and PWU to Table 11-1 Pin State Table (1/2) and Table 11-2 Pin State Table (2/2).																																																							
47	9. Pin Status in CPU Status	Deleted the following pin name about CANFD ch2 from Table 11-2 Pin State Table (2/2) Pin132 : TX2_1 Pin131 : RX2_1 Pin87 : RX0_1 Pin97 : RX0_0																																																							
48	9. Pin Status in CPU Status	Added the item as follows *7: When the PWU function is enabled, a change to output occurs. *8: When PPC_PCFGrijj:POF[2:0] is set to initial value. *9: When reset is issued, the following ports become "L" output as the initial state.																																																							

Page	Section	Change Results					
50	10. Electrical Characteristics 10.1 Absolute Maximum Ratings	Revised the remarks of Analog supply voltage (Error) $AV_{CC} \leq V_{CC}$ (Correct) $AV_{CC} = V_{CC}$					
50	10. Electrical Characteristics 10.1 Absolute Maximum Ratings	Revised the Symbol of Maximum clamp current. (Error) I_{CLAMP} (Correct) $ I_{CLAMP} $					
50	10. Electrical Characteristics 10.1 Absolute Maximum Ratings	Revised the following note. (Error) *2: VCC and DVCC must be set to the same voltage. Caution must be taken that AVCC and DVCC does not exceed VCC upon power-on and under other circumstances. (Correct) *2: AVCC, DVCC and VCC must be set to the same voltage. It is required that AVCC and DVCC do not exceed VCC and that the voltage at the analog inputs does not exceed AVCC when the power is switched on.					
52	10. Electrical Characteristics 10.2 Recommended operating conditions	Revised the following title. (Error) Rating (Correct) Value					
52	10. Electrical Characteristics 10.2 Recommended operating conditions	Revised the parameter of Smoothing capacitor as follows. (Correct) <table border="1" style="width: 100%; border-collapse: collapse;"> <tr> <td style="width: 25%;">Smoothing capacitor*</td> <td style="width: 10%;">C_{S1}</td> <td style="width: 10%;">4.7</td> <td style="width: 10%;">μF</td> <td style="width: 45%;">Tolerance of up to ±40%, 126pin Use a ceramic capacitor or a capacitor that has the similar frequency characteristics. Use a capacitor with a capacitance greater than CS as the smoothing capacitor on the VCC pin.</td> </tr> </table>	Smoothing capacitor*	C _{S1}	4.7	μF	Tolerance of up to ±40%, 126pin Use a ceramic capacitor or a capacitor that has the similar frequency characteristics. Use a capacitor with a capacitance greater than CS as the smoothing capacitor on the VCC pin.
Smoothing capacitor*	C _{S1}	4.7	μF	Tolerance of up to ±40%, 126pin Use a ceramic capacitor or a capacitor that has the similar frequency characteristics. Use a capacitor with a capacitance greater than CS as the smoothing capacitor on the VCC pin.			
52	10. Electrical Characteristics 10.2 Recommended operating conditions	Revised the remarks of Operating temperature as follows. (Error) S6J312HAA (Correct) S6J312xHzB* * x:A/9/8, z:A/B					
52	10. Electrical Characteristics 10.2 Recommended operating conditions	Revised the following Diagram (Correct) <p>· C Pin Connection Diagram</p> 					

Page	Section	Change Results
53	10. Electrical Characteristics 10.2 Recommended operating conditions	<p>Added the following notes.</p> <p>Notes:</p> <ul style="list-style-type: none"> -The following condition should be satisfied in order to facilitate heat dissipation. <ol style="list-style-type: none"> 1. 4 or more layers PCB should be used. 2. The area of PCB should be 114.3 mm x 76.2 mm or more, and the thickness should be 1.6 mm or more. (JEDEC standard) 3. 1 layer of middle layers at least should be used for dedicated layer to radiate heat with residual copper rate 90% or more. The layer can be used for system ground. 4. 35~50% of the die stage area which is exposed at back surface of package should be soldered to a part of 1st layer. 5. The part of 1st layer should be connected to the dedicated heat radiation layer with more than 10 thermal via holes.
53,54	10. Electrical Characteristics 10.2 Recommended operating conditions	<p>Added the following notes and figures.</p> <p>Figure12.2-1: Example thermal via holes on PCB.</p> <p>Notes:</p> <ul style="list-style-type: none"> - Figure 12.2-1 is a schematic diagram showing PCB in section. - Figure 12.2-2 in the following pages are recommended land patterns for each package series. Thermal via holes should closely be placed and aligned with lands. - If you are considering application under any conditions other than listed herein, please contact sales representatives beforehand. <p>Figure 12.2-2: Land Pattern and Thermal Via LEU144</p>
63	10. Electrical Characteristics 10.3 DC Characteristics	<p>Revised the following pins of Rup3 (Error) P321, TDI(P324), TMS,TCK (Correct) TDI(P324), TMS,TCK</p>
65	10. Electrical Characteristics 10.3 DC Characteristics	<p>Revised the following values and remarks.</p> <p>Icc5,Icc5s:Remarks (Error) Operating at 112 MHz (Correct) Operating at 128MHz</p> <p>Icc5 : Value (Error) Normal Operation typ 100mA max 225mA (Correct) Normal Operation typ 90mA max 195mA</p> <p>ICCT52:Value (Error) max 115µA (Correct) max 100µA</p> <p>ICCT52M:Value (Error) typ 700µA max 885µA (Correct) typ 350µA max 520µA</p> <p>ICCH52:Value (Error) max 110µA (Correct) max 100µA</p>
65	10. Electrical Characteristics 10.3 DC Characteristics	<p>Added the following characteristic</p> <p>ICCP PWU mode(Shutdown)</p>

Page	Section	Change Results																																																																																																																																																																																																																																																																																													
65	10. Electrical Characteristics 10.3 DC Characteristics	Revised the followings in parameter cell. (Error) S6J312HAA (Correct) S6J312xHzB* *x:A/9/8 z: A/B																																																																																																																																																																																																																																																																																													
69	10. Electrical Characteristics 10.4.2 Internal Clock Timing	Revised the value of frequency excepts F _{CLK_EXTBUS} and F _{CANFD_CCLK} (Correct)																																																																																																																																																																																																																																																																																													
<table border="1"> <thead> <tr> <th rowspan="2">Parameter</th> <th rowspan="2">Symbol</th> <th rowspan="2">Pin Name</th> <th rowspan="2">Conditions</th> <th colspan="3">S6J312xHAzB* Value * x:A/9/8, z:A/B</th> <th rowspan="2">Unit</th> <th rowspan="2">Remarks</th> </tr> <tr> <th>Min</th> <th>Typ</th> <th>Max</th> </tr> </thead> <tbody> <tr> <td rowspan="34">Internal Clock Frequency</td> <td>F_{CLK_CPU}</td> <td>-</td> <td>-</td> <td>-</td> <td>-</td> <td>128</td> <td>MHz</td> <td>CLK_CPU</td> </tr> <tr> <td>F_{CLK_FCLK}</td> <td>-</td> <td>-</td> <td>-</td> <td>-</td> <td>64</td> <td>MHz</td> <td>CLK_FCLK</td> </tr> <tr> <td>F_{CLK_ATB}</td> <td>-</td> <td>-</td> <td>-</td> <td>-</td> <td>64</td> <td>MHz</td> <td>CLK_ATB</td> </tr> <tr> <td>F_{CLK_DBG}</td> <td>-</td> <td>-</td> <td>-</td> <td>-</td> <td>64</td> <td>MHz</td> <td>CLK_DBG</td> </tr> <tr> <td>F_{CLK_HPM}</td> <td>-</td> <td>-</td> <td>-</td> <td>-</td> <td>32</td> <td>MHz</td> <td>CLK_HPM</td> </tr> <tr> <td>F_{CLK_HPM2}</td> <td>-</td> <td>-</td> <td>-</td> <td>-</td> <td>16</td> <td>MHz</td> <td>CLK_HPM2</td> </tr> <tr> <td>F_{CLK_DMA}</td> <td>-</td> <td>-</td> <td>-</td> <td>-</td> <td>32</td> <td>MHz</td> <td>CLK_DMA</td> </tr> <tr> <td>F_{CLK_MEMC}</td> <td>-</td> <td>-</td> <td>-</td> <td>-</td> <td>32</td> <td>MHz</td> <td>CLK_MEMC</td> </tr> <tr> <td>F_{CLK_EXTBUS}</td> <td>-</td> <td>-</td> <td>-</td> <td>-</td> <td>25</td> <td>MHz</td> <td>CLK_EXTBUS</td> </tr> <tr> <td>F_{CLK_SYSC1}</td> <td>-</td> <td>-</td> <td>-</td> <td>-</td> <td>32</td> <td>MHz</td> <td>CLK_SYSC1</td> </tr> <tr> <td>F_{CLK_HAPP0A0}</td> <td>-</td> <td>-</td> <td>-</td> <td>-</td> <td>32</td> <td>MHz</td> <td>CLK_HAPP0A0</td> </tr> <tr> <td>F_{CLK_HAPP0A1}</td> <td>-</td> <td>-</td> <td>-</td> <td>-</td> <td>32</td> <td>MHz</td> <td>CLK_HAPP0A1</td> </tr> <tr> <td>F_{CLK_HAPP1B0}</td> <td>-</td> <td>-</td> <td>-</td> <td>-</td> <td>32</td> <td>MHz</td> <td>CLK_HAPP1B0</td> </tr> <tr> <td>F_{CLK_HAPP1B1}</td> <td>-</td> <td>-</td> <td>-</td> <td>-</td> <td>32</td> <td>MHz</td> <td>CLK_HAPP1B1</td> </tr> <tr> <td>F_{CLK_LLPBM}</td> <td>-</td> <td>-</td> <td>-</td> <td>-</td> <td>128</td> <td>MHz</td> <td>CLK_LLPBM</td> </tr> <tr> <td>F_{CLK_LLPBM2}</td> <td>-</td> <td>-</td> <td>-</td> <td>-</td> <td>64</td> <td>MHz</td> <td>CLK_LLPBM2</td> </tr> <tr> <td>F_{CLK_LCP}</td> <td>-</td> <td>-</td> <td>-</td> <td>-</td> <td>64</td> <td>MHz</td> <td>CLK_LCP</td> </tr> <tr> <td>F_{CLK_LCP0}</td> <td>-</td> <td>-</td> <td>-</td> <td>-</td> <td>32</td> <td>MHz</td> <td>CLK_LCP0</td> </tr> <tr> <td>F_{CLK_LCP0A}</td> <td>-</td> <td>-</td> <td>-</td> <td>-</td> <td>32</td> <td>MHz</td> <td>CLK_LCP0A</td> </tr> <tr> <td>F_{CLK_LCP1}</td> <td>-</td> <td>-</td> <td>-</td> <td>-</td> <td>32</td> <td>MHz</td> <td>CLK_LCP1</td> </tr> <tr> <td>F_{CLK_LCP1A}</td> <td>-</td> <td>-</td> <td>-</td> <td>-</td> <td>32</td> <td>MHz</td> <td>CLK_LCP1A</td> </tr> <tr> <td>F_{CLK_LAPP0}</td> <td>-</td> <td>-</td> <td>-</td> <td>-</td> <td>32</td> <td>MHz</td> <td>CLK_LAPP0</td> </tr> <tr> <td>F_{CLK_LAPP0A}</td> <td>-</td> <td>-</td> <td>-</td> <td>-</td> <td>32</td> <td>MHz</td> <td>CLK_LAPP0A</td> </tr> <tr> <td>F_{CLK_LAPP1}</td> <td>-</td> <td>-</td> <td>-</td> <td>-</td> <td>32</td> <td>MHz</td> <td>CLK_LAPP1</td> </tr> <tr> <td>F_{CLK_LAPP1A}</td> <td>-</td> <td>-</td> <td>-</td> <td>-</td> <td>32</td> <td>MHz</td> <td>CLK_LAPP1A</td> </tr> <tr> <td>F_{CLK_TRC}</td> <td>-</td> <td>-</td> <td>-</td> <td>-</td> <td>64</td> <td>MHz</td> <td>CLK_TRC</td> </tr> <tr> <td>F_{CLK_HSSPI}</td> <td>-</td> <td>-</td> <td>-</td> <td>-</td> <td>32</td> <td>MHz</td> <td>CLK_HSSPI</td> </tr> <tr> <td>F_{CLK_SYSC0H}</td> <td>-</td> <td>-</td> <td>-</td> <td>-</td> <td>32</td> <td>MHz</td> <td>CLK_SYSC0H</td> </tr> <tr> <td>F_{CLK_COMH}</td> <td>-</td> <td>-</td> <td>-</td> <td>-</td> <td>32</td> <td>MHz</td> <td>CLK_COMH</td> </tr> <tr> <td>F_{CLK_RAM0H}</td> <td>-</td> <td>-</td> <td>-</td> <td>-</td> <td>32</td> <td>MHz</td> <td>CLK_RAM0H</td> </tr> <tr> <td>F_{CLK_RAM1H}</td> <td>-</td> <td>-</td> <td>-</td> <td>-</td> <td>32</td> <td>MHz</td> <td>CLK_RAM1H</td> </tr> <tr> <td>F_{CLK_SYSC0P}</td> <td>-</td> <td>-</td> <td>-</td> <td>-</td> <td>32</td> <td>MHz</td> <td>CLK_SYSC0P</td> </tr> <tr> <td>F_{CLK_COMP}</td> <td>-</td> <td>-</td> <td>-</td> <td>-</td> <td>32</td> <td>MHz</td> <td>CLK_COMP</td> </tr> <tr> <td>F_{CANFD_CCLK}</td> <td>-</td> <td>-</td> <td>-</td> <td>-</td> <td>40</td> <td>MHz</td> <td>CANFD_CCLK</td> </tr> </tbody> </table>			Parameter	Symbol	Pin Name	Conditions	S6J312xHAzB* Value * x:A/9/8, z:A/B			Unit	Remarks	Min	Typ	Max	Internal Clock Frequency	F _{CLK_CPU}	-	-	-	-	128	MHz	CLK_CPU	F _{CLK_FCLK}	-	-	-	-	64	MHz	CLK_FCLK	F _{CLK_ATB}	-	-	-	-	64	MHz	CLK_ATB	F _{CLK_DBG}	-	-	-	-	64	MHz	CLK_DBG	F _{CLK_HPM}	-	-	-	-	32	MHz	CLK_HPM	F _{CLK_HPM2}	-	-	-	-	16	MHz	CLK_HPM2	F _{CLK_DMA}	-	-	-	-	32	MHz	CLK_DMA	F _{CLK_MEMC}	-	-	-	-	32	MHz	CLK_MEMC	F _{CLK_EXTBUS}	-	-	-	-	25	MHz	CLK_EXTBUS	F _{CLK_SYSC1}	-	-	-	-	32	MHz	CLK_SYSC1	F _{CLK_HAPP0A0}	-	-	-	-	32	MHz	CLK_HAPP0A0	F _{CLK_HAPP0A1}	-	-	-	-	32	MHz	CLK_HAPP0A1	F _{CLK_HAPP1B0}	-	-	-	-	32	MHz	CLK_HAPP1B0	F _{CLK_HAPP1B1}	-	-	-	-	32	MHz	CLK_HAPP1B1	F _{CLK_LLPBM}	-	-	-	-	128	MHz	CLK_LLPBM	F _{CLK_LLPBM2}	-	-	-	-	64	MHz	CLK_LLPBM2	F _{CLK_LCP}	-	-	-	-	64	MHz	CLK_LCP	F _{CLK_LCP0}	-	-	-	-	32	MHz	CLK_LCP0	F _{CLK_LCP0A}	-	-	-	-	32	MHz	CLK_LCP0A	F _{CLK_LCP1}	-	-	-	-	32	MHz	CLK_LCP1	F _{CLK_LCP1A}	-	-	-	-	32	MHz	CLK_LCP1A	F _{CLK_LAPP0}	-	-	-	-	32	MHz	CLK_LAPP0	F _{CLK_LAPP0A}	-	-	-	-	32	MHz	CLK_LAPP0A	F _{CLK_LAPP1}	-	-	-	-	32	MHz	CLK_LAPP1	F _{CLK_LAPP1A}	-	-	-	-	32	MHz	CLK_LAPP1A	F _{CLK_TRC}	-	-	-	-	64	MHz	CLK_TRC	F _{CLK_HSSPI}	-	-	-	-	32	MHz	CLK_HSSPI	F _{CLK_SYSC0H}	-	-	-	-	32	MHz	CLK_SYSC0H	F _{CLK_COMH}	-	-	-	-	32	MHz	CLK_COMH	F _{CLK_RAM0H}	-	-	-	-	32	MHz	CLK_RAM0H	F _{CLK_RAM1H}	-	-	-	-	32	MHz	CLK_RAM1H	F _{CLK_SYSC0P}	-	-	-	-	32	MHz	CLK_SYSC0P	F _{CLK_COMP}	-	-	-	-	32	MHz	CLK_COMP	F _{CANFD_CCLK}	-	-	-	-	40	MHz	CANFD_CCLK
Parameter	Symbol	Pin Name					Conditions	S6J312xHAzB* Value * x:A/9/8, z:A/B				Unit	Remarks																																																																																																																																																																																																																																																																																		
			Min	Typ	Max																																																																																																																																																																																																																																																																																										
Internal Clock Frequency	F _{CLK_CPU}	-	-	-	-	128	MHz	CLK_CPU																																																																																																																																																																																																																																																																																							
	F _{CLK_FCLK}	-	-	-	-	64	MHz	CLK_FCLK																																																																																																																																																																																																																																																																																							
	F _{CLK_ATB}	-	-	-	-	64	MHz	CLK_ATB																																																																																																																																																																																																																																																																																							
	F _{CLK_DBG}	-	-	-	-	64	MHz	CLK_DBG																																																																																																																																																																																																																																																																																							
	F _{CLK_HPM}	-	-	-	-	32	MHz	CLK_HPM																																																																																																																																																																																																																																																																																							
	F _{CLK_HPM2}	-	-	-	-	16	MHz	CLK_HPM2																																																																																																																																																																																																																																																																																							
	F _{CLK_DMA}	-	-	-	-	32	MHz	CLK_DMA																																																																																																																																																																																																																																																																																							
	F _{CLK_MEMC}	-	-	-	-	32	MHz	CLK_MEMC																																																																																																																																																																																																																																																																																							
	F _{CLK_EXTBUS}	-	-	-	-	25	MHz	CLK_EXTBUS																																																																																																																																																																																																																																																																																							
	F _{CLK_SYSC1}	-	-	-	-	32	MHz	CLK_SYSC1																																																																																																																																																																																																																																																																																							
	F _{CLK_HAPP0A0}	-	-	-	-	32	MHz	CLK_HAPP0A0																																																																																																																																																																																																																																																																																							
	F _{CLK_HAPP0A1}	-	-	-	-	32	MHz	CLK_HAPP0A1																																																																																																																																																																																																																																																																																							
	F _{CLK_HAPP1B0}	-	-	-	-	32	MHz	CLK_HAPP1B0																																																																																																																																																																																																																																																																																							
	F _{CLK_HAPP1B1}	-	-	-	-	32	MHz	CLK_HAPP1B1																																																																																																																																																																																																																																																																																							
	F _{CLK_LLPBM}	-	-	-	-	128	MHz	CLK_LLPBM																																																																																																																																																																																																																																																																																							
	F _{CLK_LLPBM2}	-	-	-	-	64	MHz	CLK_LLPBM2																																																																																																																																																																																																																																																																																							
	F _{CLK_LCP}	-	-	-	-	64	MHz	CLK_LCP																																																																																																																																																																																																																																																																																							
	F _{CLK_LCP0}	-	-	-	-	32	MHz	CLK_LCP0																																																																																																																																																																																																																																																																																							
	F _{CLK_LCP0A}	-	-	-	-	32	MHz	CLK_LCP0A																																																																																																																																																																																																																																																																																							
	F _{CLK_LCP1}	-	-	-	-	32	MHz	CLK_LCP1																																																																																																																																																																																																																																																																																							
	F _{CLK_LCP1A}	-	-	-	-	32	MHz	CLK_LCP1A																																																																																																																																																																																																																																																																																							
	F _{CLK_LAPP0}	-	-	-	-	32	MHz	CLK_LAPP0																																																																																																																																																																																																																																																																																							
	F _{CLK_LAPP0A}	-	-	-	-	32	MHz	CLK_LAPP0A																																																																																																																																																																																																																																																																																							
	F _{CLK_LAPP1}	-	-	-	-	32	MHz	CLK_LAPP1																																																																																																																																																																																																																																																																																							
	F _{CLK_LAPP1A}	-	-	-	-	32	MHz	CLK_LAPP1A																																																																																																																																																																																																																																																																																							
	F _{CLK_TRC}	-	-	-	-	64	MHz	CLK_TRC																																																																																																																																																																																																																																																																																							
	F _{CLK_HSSPI}	-	-	-	-	32	MHz	CLK_HSSPI																																																																																																																																																																																																																																																																																							
	F _{CLK_SYSC0H}	-	-	-	-	32	MHz	CLK_SYSC0H																																																																																																																																																																																																																																																																																							
	F _{CLK_COMH}	-	-	-	-	32	MHz	CLK_COMH																																																																																																																																																																																																																																																																																							
	F _{CLK_RAM0H}	-	-	-	-	32	MHz	CLK_RAM0H																																																																																																																																																																																																																																																																																							
	F _{CLK_RAM1H}	-	-	-	-	32	MHz	CLK_RAM1H																																																																																																																																																																																																																																																																																							
	F _{CLK_SYSC0P}	-	-	-	-	32	MHz	CLK_SYSC0P																																																																																																																																																																																																																																																																																							
	F _{CLK_COMP}	-	-	-	-	32	MHz	CLK_COMP																																																																																																																																																																																																																																																																																							
	F _{CANFD_CCLK}	-	-	-	-	40	MHz	CANFD_CCLK																																																																																																																																																																																																																																																																																							

Page	Section	Change Results																																																																																																																																																																																																																																																																																													
70	10. Electrical Characteristics 10.4.2 Internal Clock Timing	<p>Revised the value of pulse width excepts t_{CLK_EXTBUS} and t_{CANFD_CCLK}</p> <p>(Correct)</p> <table border="1"> <thead> <tr> <th rowspan="2">Parameter</th> <th rowspan="2">Symbol</th> <th rowspan="2">Pin Name</th> <th rowspan="2">Conditions</th> <th colspan="3">S6J312xHAzB* Value * x: A/9/8, z: A/B</th> <th rowspan="2">Unit</th> <th rowspan="2">Remarks</th> </tr> <tr> <th>Min</th> <th>Typ</th> <th>Max</th> </tr> </thead> <tbody> <tr><td rowspan="32">Internal clock cycle time</td><td>t_{CLK_CPU}</td><td>-</td><td>-</td><td>7.82</td><td>-</td><td>-</td><td>ns</td><td>CLK_CPU</td></tr> <tr><td>t_{CLK_FLASH}</td><td>-</td><td>-</td><td>15.64</td><td>-</td><td>-</td><td>ns</td><td>CLK_FCLK</td></tr> <tr><td>t_{CLK_ATB}</td><td>-</td><td>-</td><td>15.64</td><td>-</td><td>-</td><td>ns</td><td>CLK_ATB</td></tr> <tr><td>t_{CLK_DBG}</td><td>-</td><td>-</td><td>15.64</td><td>-</td><td>-</td><td>ns</td><td>CLK_DBG</td></tr> <tr><td>t_{CLK_HPM}</td><td>-</td><td>-</td><td>31.28</td><td>-</td><td>-</td><td>ns</td><td>CLK_HPM</td></tr> <tr><td>t_{CLK_HPM2}</td><td>-</td><td>-</td><td>62.54</td><td>-</td><td>-</td><td>ns</td><td>CLK_HPM2</td></tr> <tr><td>t_{CLK_DMA}</td><td>-</td><td>-</td><td>31.28</td><td>-</td><td>-</td><td>ns</td><td>CLK_DMA</td></tr> <tr><td>t_{CLK_MEMC}</td><td>-</td><td>-</td><td>31.28</td><td>-</td><td>-</td><td>ns</td><td>CLK_MEMC</td></tr> <tr><td>t_{CLK_EXTBUS}</td><td>-</td><td>-</td><td>40.00</td><td>-</td><td>-</td><td>ns</td><td>CLK_EXTBUS</td></tr> <tr><td>t_{CLK_SYSC1}</td><td>-</td><td>-</td><td>31.28</td><td>-</td><td>-</td><td>ns</td><td>CLK_SYSC1</td></tr> <tr><td>$t_{CLK_HAPP0A0}$</td><td>-</td><td>-</td><td>31.28</td><td>-</td><td>-</td><td>ns</td><td>CLK_HAPP0A0</td></tr> <tr><td>$t_{CLK_HAPP0A1}$</td><td>-</td><td>-</td><td>31.28</td><td>-</td><td>-</td><td>ns</td><td>CLK_HAPP0A1</td></tr> <tr><td>$t_{CLK_HAPP1B0}$</td><td>-</td><td>-</td><td>31.28</td><td>-</td><td>-</td><td>ns</td><td>CLK_HAPP1B0</td></tr> <tr><td>$t_{CLK_HAPP1B1}$</td><td>-</td><td>-</td><td>31.28</td><td>-</td><td>-</td><td>ns</td><td>CLK_HAPP1B1</td></tr> <tr><td>t_{CLK_LLPBM}</td><td>-</td><td>-</td><td>7.82</td><td>-</td><td>-</td><td>ns</td><td>CLK_LLPCM</td></tr> <tr><td>t_{CLK_LLPBM2}</td><td>-</td><td>-</td><td>15.64</td><td>-</td><td>-</td><td>ns</td><td>CLK_LLPCM2</td></tr> <tr><td>t_{CLK_LCP}</td><td>-</td><td>-</td><td>15.64</td><td>-</td><td>-</td><td>ns</td><td>CLK_LCP</td></tr> <tr><td>t_{CLK_LCP0}</td><td>-</td><td>-</td><td>31.28</td><td>-</td><td>-</td><td>ns</td><td>CLK_LCP0</td></tr> <tr><td>t_{CLK_LCP0A}</td><td>-</td><td>-</td><td>31.28</td><td>-</td><td>-</td><td>ns</td><td>CLK_LCP0A</td></tr> <tr><td>t_{CLK_LCP1}</td><td>-</td><td>-</td><td>31.28</td><td>-</td><td>-</td><td>ns</td><td>CLK_LCP1</td></tr> <tr><td>t_{CLK_LCP1A}</td><td>-</td><td>-</td><td>31.28</td><td>-</td><td>-</td><td>ns</td><td>CLK_LCP1A</td></tr> <tr><td>t_{CLK_LAPP0}</td><td>-</td><td>-</td><td>31.28</td><td>-</td><td>-</td><td>ns</td><td>CLK_LAPP0</td></tr> <tr><td>t_{CLK_LAPP0A}</td><td>-</td><td>-</td><td>31.28</td><td>-</td><td>-</td><td>ns</td><td>CLK_LAPP0A</td></tr> <tr><td>t_{CLK_LAPP1}</td><td>-</td><td>-</td><td>31.28</td><td>-</td><td>-</td><td>ns</td><td>CLK_LAPP1</td></tr> <tr><td>t_{CLK_LAPP1A}</td><td>-</td><td>-</td><td>31.28</td><td>-</td><td>-</td><td>ns</td><td>CLK_LAPP1A</td></tr> <tr><td>t_{CLK_TRC}</td><td>-</td><td>-</td><td>15.64</td><td>-</td><td>-</td><td>ns</td><td>CLK_TRC</td></tr> <tr><td>t_{CLK_HSSPI}</td><td>-</td><td>-</td><td>31.28</td><td>-</td><td>-</td><td>ns</td><td>CLK_HSSPI</td></tr> <tr><td>t_{CLK_SYSC0H}</td><td>-</td><td>-</td><td>31.28</td><td>-</td><td>-</td><td>ns</td><td>CLK_SYSC0H</td></tr> <tr><td>t_{CLK_COMH}</td><td>-</td><td>-</td><td>31.28</td><td>-</td><td>-</td><td>ns</td><td>CLK_COMH</td></tr> <tr><td>t_{CLK_RAM0H}</td><td>-</td><td>-</td><td>31.28</td><td>-</td><td>-</td><td>ns</td><td>CLK_RAM0H</td></tr> <tr><td>t_{CLK_RAM1H}</td><td>-</td><td>-</td><td>31.28</td><td>-</td><td>-</td><td>ns</td><td>CLK_RAM1H</td></tr> <tr><td>t_{CLK_SYSC0P}</td><td>-</td><td>-</td><td>31.28</td><td>-</td><td>-</td><td>ns</td><td>CLK_SYSC0P</td></tr> <tr><td>t_{CLK_COMP}</td><td>-</td><td>-</td><td>31.28</td><td>-</td><td>-</td><td>ns</td><td>CLK_COMP</td></tr> <tr><td>t_{CANFD_CCLK}</td><td>-</td><td>-</td><td>25.00</td><td>-</td><td>-</td><td>ns</td><td>CANFD_CCLK</td></tr> </tbody> </table>	Parameter	Symbol	Pin Name	Conditions	S6J312xHAzB* Value * x: A/9/8, z: A/B			Unit	Remarks	Min	Typ	Max	Internal clock cycle time	t_{CLK_CPU}	-	-	7.82	-	-	ns	CLK_CPU	t_{CLK_FLASH}	-	-	15.64	-	-	ns	CLK_FCLK	t_{CLK_ATB}	-	-	15.64	-	-	ns	CLK_ATB	t_{CLK_DBG}	-	-	15.64	-	-	ns	CLK_DBG	t_{CLK_HPM}	-	-	31.28	-	-	ns	CLK_HPM	t_{CLK_HPM2}	-	-	62.54	-	-	ns	CLK_HPM2	t_{CLK_DMA}	-	-	31.28	-	-	ns	CLK_DMA	t_{CLK_MEMC}	-	-	31.28	-	-	ns	CLK_MEMC	t_{CLK_EXTBUS}	-	-	40.00	-	-	ns	CLK_EXTBUS	t_{CLK_SYSC1}	-	-	31.28	-	-	ns	CLK_SYSC1	$t_{CLK_HAPP0A0}$	-	-	31.28	-	-	ns	CLK_HAPP0A0	$t_{CLK_HAPP0A1}$	-	-	31.28	-	-	ns	CLK_HAPP0A1	$t_{CLK_HAPP1B0}$	-	-	31.28	-	-	ns	CLK_HAPP1B0	$t_{CLK_HAPP1B1}$	-	-	31.28	-	-	ns	CLK_HAPP1B1	t_{CLK_LLPBM}	-	-	7.82	-	-	ns	CLK_LLPCM	t_{CLK_LLPBM2}	-	-	15.64	-	-	ns	CLK_LLPCM2	t_{CLK_LCP}	-	-	15.64	-	-	ns	CLK_LCP	t_{CLK_LCP0}	-	-	31.28	-	-	ns	CLK_LCP0	t_{CLK_LCP0A}	-	-	31.28	-	-	ns	CLK_LCP0A	t_{CLK_LCP1}	-	-	31.28	-	-	ns	CLK_LCP1	t_{CLK_LCP1A}	-	-	31.28	-	-	ns	CLK_LCP1A	t_{CLK_LAPP0}	-	-	31.28	-	-	ns	CLK_LAPP0	t_{CLK_LAPP0A}	-	-	31.28	-	-	ns	CLK_LAPP0A	t_{CLK_LAPP1}	-	-	31.28	-	-	ns	CLK_LAPP1	t_{CLK_LAPP1A}	-	-	31.28	-	-	ns	CLK_LAPP1A	t_{CLK_TRC}	-	-	15.64	-	-	ns	CLK_TRC	t_{CLK_HSSPI}	-	-	31.28	-	-	ns	CLK_HSSPI	t_{CLK_SYSC0H}	-	-	31.28	-	-	ns	CLK_SYSC0H	t_{CLK_COMH}	-	-	31.28	-	-	ns	CLK_COMH	t_{CLK_RAM0H}	-	-	31.28	-	-	ns	CLK_RAM0H	t_{CLK_RAM1H}	-	-	31.28	-	-	ns	CLK_RAM1H	t_{CLK_SYSC0P}	-	-	31.28	-	-	ns	CLK_SYSC0P	t_{CLK_COMP}	-	-	31.28	-	-	ns	CLK_COMP	t_{CANFD_CCLK}	-	-	25.00	-	-	ns	CANFD_CCLK
Parameter	Symbol	Pin Name					Conditions	S6J312xHAzB* Value * x: A/9/8, z: A/B				Unit	Remarks																																																																																																																																																																																																																																																																																		
			Min	Typ	Max																																																																																																																																																																																																																																																																																										
Internal clock cycle time	t_{CLK_CPU}	-	-	7.82	-	-	ns	CLK_CPU																																																																																																																																																																																																																																																																																							
	t_{CLK_FLASH}	-	-	15.64	-	-	ns	CLK_FCLK																																																																																																																																																																																																																																																																																							
	t_{CLK_ATB}	-	-	15.64	-	-	ns	CLK_ATB																																																																																																																																																																																																																																																																																							
	t_{CLK_DBG}	-	-	15.64	-	-	ns	CLK_DBG																																																																																																																																																																																																																																																																																							
	t_{CLK_HPM}	-	-	31.28	-	-	ns	CLK_HPM																																																																																																																																																																																																																																																																																							
	t_{CLK_HPM2}	-	-	62.54	-	-	ns	CLK_HPM2																																																																																																																																																																																																																																																																																							
	t_{CLK_DMA}	-	-	31.28	-	-	ns	CLK_DMA																																																																																																																																																																																																																																																																																							
	t_{CLK_MEMC}	-	-	31.28	-	-	ns	CLK_MEMC																																																																																																																																																																																																																																																																																							
	t_{CLK_EXTBUS}	-	-	40.00	-	-	ns	CLK_EXTBUS																																																																																																																																																																																																																																																																																							
	t_{CLK_SYSC1}	-	-	31.28	-	-	ns	CLK_SYSC1																																																																																																																																																																																																																																																																																							
	$t_{CLK_HAPP0A0}$	-	-	31.28	-	-	ns	CLK_HAPP0A0																																																																																																																																																																																																																																																																																							
	$t_{CLK_HAPP0A1}$	-	-	31.28	-	-	ns	CLK_HAPP0A1																																																																																																																																																																																																																																																																																							
	$t_{CLK_HAPP1B0}$	-	-	31.28	-	-	ns	CLK_HAPP1B0																																																																																																																																																																																																																																																																																							
	$t_{CLK_HAPP1B1}$	-	-	31.28	-	-	ns	CLK_HAPP1B1																																																																																																																																																																																																																																																																																							
	t_{CLK_LLPBM}	-	-	7.82	-	-	ns	CLK_LLPCM																																																																																																																																																																																																																																																																																							
	t_{CLK_LLPBM2}	-	-	15.64	-	-	ns	CLK_LLPCM2																																																																																																																																																																																																																																																																																							
	t_{CLK_LCP}	-	-	15.64	-	-	ns	CLK_LCP																																																																																																																																																																																																																																																																																							
	t_{CLK_LCP0}	-	-	31.28	-	-	ns	CLK_LCP0																																																																																																																																																																																																																																																																																							
	t_{CLK_LCP0A}	-	-	31.28	-	-	ns	CLK_LCP0A																																																																																																																																																																																																																																																																																							
	t_{CLK_LCP1}	-	-	31.28	-	-	ns	CLK_LCP1																																																																																																																																																																																																																																																																																							
	t_{CLK_LCP1A}	-	-	31.28	-	-	ns	CLK_LCP1A																																																																																																																																																																																																																																																																																							
	t_{CLK_LAPP0}	-	-	31.28	-	-	ns	CLK_LAPP0																																																																																																																																																																																																																																																																																							
	t_{CLK_LAPP0A}	-	-	31.28	-	-	ns	CLK_LAPP0A																																																																																																																																																																																																																																																																																							
	t_{CLK_LAPP1}	-	-	31.28	-	-	ns	CLK_LAPP1																																																																																																																																																																																																																																																																																							
	t_{CLK_LAPP1A}	-	-	31.28	-	-	ns	CLK_LAPP1A																																																																																																																																																																																																																																																																																							
	t_{CLK_TRC}	-	-	15.64	-	-	ns	CLK_TRC																																																																																																																																																																																																																																																																																							
	t_{CLK_HSSPI}	-	-	31.28	-	-	ns	CLK_HSSPI																																																																																																																																																																																																																																																																																							
	t_{CLK_SYSC0H}	-	-	31.28	-	-	ns	CLK_SYSC0H																																																																																																																																																																																																																																																																																							
	t_{CLK_COMH}	-	-	31.28	-	-	ns	CLK_COMH																																																																																																																																																																																																																																																																																							
	t_{CLK_RAM0H}	-	-	31.28	-	-	ns	CLK_RAM0H																																																																																																																																																																																																																																																																																							
	t_{CLK_RAM1H}	-	-	31.28	-	-	ns	CLK_RAM1H																																																																																																																																																																																																																																																																																							
	t_{CLK_SYSC0P}	-	-	31.28	-	-	ns	CLK_SYSC0P																																																																																																																																																																																																																																																																																							
t_{CLK_COMP}	-	-	31.28	-	-	ns	CLK_COMP																																																																																																																																																																																																																																																																																								
t_{CANFD_CCLK}	-	-	25.00	-	-	ns	CANFD_CCLK																																																																																																																																																																																																																																																																																								
71	10. Electrical Characteristics 10.4.2 Internal Clock Timing	<p>Revised the value of max internal frequency F_{CPU_CLK} in “Guaranteed operation range”</p> <p>(Error) 112MHz (Correct) 128MHz</p>																																																																																																																																																																																																																																																																																													
72	10. Electrical Characteristics 10.4.2 Internal Clock Timing	<p>Revised the followings “Relationship between the oscillation clock frequency and internal clock frequency”</p> <p>PLL Multiplier Setting (Error) 112 (Correct) 128</p> <p>PLL Clock (Error) 112MHz (Correct) 128MHz</p> <p>Notes (Error) The maximum PLL clock frequency must be 112MHz. (Correct) The maximum PLL clock frequency must be 128MHz.</p>																																																																																																																																																																																																																																																																																													
74	10. Electrical Characteristics 10.4.4 Power-on Conditions	<p>Added the parameter of “Level release voltage”</p>																																																																																																																																																																																																																																																																																													

Page	Section	Change Results								
74	10. Electrical Characteristics 10.4.4 Power-on Conditions	Revised the value of "Level detection voltage" (Error) min 2.25V typ 2.45V max 2.65V (Correct) min 2.15V typ 2.35V max 2.55V								
101,102	10. Electrical Characteristics 10.4.7.4 I ² C Timing (SMR:MD[2:0]=100B)	Added the characteristic of "I ² C Timing (SMR:MD[2:0]=100B)"								
116,117	10. Electrical Characteristics 10.12 A/D Converter 10.12.1 Electrical Characteristics	Revised the value of "Analog port input current" in the table, and revised the pin name note *7 to *9 (Correct) *7: AN3, AN5, AN6, AN9, AN10, AN12 to AN15, AN17 to AN24, and AN27 to AN42 *8: AN0 to AN2, and AN43 *9: AN44 to AN62								
119	10. Electrical Characteristics 10.12 A/D Converter 10.12.3 Definition of Terms	Revised the followings. (Error) Total error: Difference between the actual value and the theoretical value. The total error (Correct) Total error: Difference between the actual value and the theoretical value. The total error includes zero transition error, full-scale transition error, and non linearity error.								
121	10. Electrical Characteristics 10.13 Flash Memory	Deleted the followings. *3: Target value								
122	11. Ordering Information	Added SHE option to the part number <table border="1"> <thead> <tr> <th>Part Number Option "z"</th> <th>SHE</th> </tr> </thead> <tbody> <tr> <td>A</td> <td>SHE ON</td> </tr> <tr> <td>B</td> <td>SHE OFF</td> </tr> </tbody> </table>	Part Number Option "z"	SHE	A	SHE ON	B	SHE OFF		
Part Number Option "z"	SHE									
A	SHE ON									
B	SHE OFF									
122	12.Part Number Option	Added Flash memory size option to the part number. <table border="1"> <thead> <tr> <th>Part Number Option "x"</th> <th>FLASH Memory</th> </tr> </thead> <tbody> <tr> <td>A</td> <td>1MByte</td> </tr> <tr> <td>9</td> <td>768KByte</td> </tr> <tr> <td>8</td> <td>512KByte</td> </tr> </tbody> </table>	Part Number Option "x"	FLASH Memory	A	1MByte	9	768KByte	8	512KByte
Part Number Option "x"	FLASH Memory									
A	1MByte									
9	768KByte									
8	512KByte									
Revision *B										
1	Cover	Revised the title as follow (error) S6J3120 Series 32-bit Microcontroller Spansion® Traveo™ Family (correct) S6J3120 Series 32-Bit Traveo™ Family Microcontroller Datasheet								
2	Features	Added "CAN-FD (V3.2.0)" under "CAN controller: CAN-FD Max 3 channel".								
37	6.Handling Devices	Revised the following notice. (Error) About the Power-on Time To prevent the internal built-in voltage step-down circuit from malfunctioning, secure a voltage rising time of 50 μs (between 0.2 V and 2.7 V) or longer at the power-on time. (Correct) About the Power-on Time To prevent a malfunction of the voltage step-down circuit built in the device, the voltage rising must be monotonic during power-on.								

Page	Section	Change Results
70	10. Electrical Characteristics 10.4.2 Internal Clock Timing	Revised the following symbol. (Error) tCLK_FMA (Correct) tCLK_DMA
74	10. Electrical Characteristics 10.4.4 Power-on Conditions	Deleted the Slope detection undetected specification. Added the Power ramp rate and Maximum ramp rate guaranteed to not generate power-on reset. *1, *2: Changed the sentence. Added *3, *4, Note, Figure at the Power off time, Power ramp rate, Maximum ramp rate guaranteed to not generate power-on reset.
101	10. Electrical Characteristics 10.4.7.4 I2C Timing (SMR:MD[2:0]=100B)	Revised the following pin names. (Error) SCL0 to SCL4 / SDA0 to SDA4 (Correct) SCL0, SCL3, SCL4 / SDA0, SDA3, SDA4
115	10. Electrical Characteristics 10.10 Low-Voltage Detection (RAM Retention Low-Voltage Detection)	Revised the title in 10.10 “Internal Low-Voltage Detection” to “RAM Retention Low-Voltage Detection”.
115	10. Electrical Characteristics 10.11 Low-Voltage Detection (1.2 V Power Supply Low-Voltage Detection)	Added the notice *4
123	11. Ordering Information	Revised the following part number. (Error) S6J312xHzBASEy0000* (Correct) S6J312xHzCSEy0000*
1,2,6 to 9, 38 to 40, 42,50,52, 65,69,70, 74,123	-	Revised part number from S6J312xxxB to S6J312xxxC.

NOTE: Please see “Document History” about later revised information.

Document History

Document Title: S6J3120 Series 32-Bit Traveo™ Family Microcontroller Datasheet
Document Number: 002-04863

Revision	ECN	Orig. of Change	Submission Date	Description of Change
**	-	HIHA	8/7/2014	Initial release New Spec.
*A	4993737	WECU	10/29/2015	Added full product names. Added 144pin PWUTRG function. Added simultaneous function for start timing of PWM does not overlap. Added I2C function. Added SHE-OFF Option. Updated CANFD macro (updated to v3.2.0). Revised min value of VIH6 (TRST, TCK, TDI, TMS) from 2.0V to 2.3V. Revised operating frequency to 128MHz, and revised clock frequency based 128MHz. Revised current consumption standard (ICC5, ICCT52, ICCT52M, ICCH52). Added partial wakeup macro. For detail, see "Major Changes".
*B	5309249	WECU	06/16/2016	Revised part number from S6J311xxxB to S6J311xxxC. For detail, see "Major Changes".
*C	5375465	WECU	07/27/2016	Page74, 10.4.4 Power-on Conditions Revised Level detection time from 30 to 540, Revised *1 to *4 and Note. Page115, 10.10 Low-Voltage Detection (RAM Retention Low-Voltage Detection) Added * and Note to Detection voltage. Page115, 10.11 Low-Voltage Detection (1.2 V Power Supply Low-Voltage Detection) Added * and Note to Detection voltage.

Revision	ECN	Orig. of Change	Submission Date	Description of Change
*D	5554888	WECU	12/15/2016	Page 124, Replaced 13. Package Dimensions Page 125, Added 14.Appendix

Sales, Solutions, and Legal Information

Worldwide Sales and Design Support

Cypress maintains a worldwide network of offices, solution centers, manufacturer's representatives, and distributors. To find the office closest to you, visit us at [Cypress Locations](#).

Products

ARM® Cortex® Microcontrollers	cypress.com/arm
Automotive	cypress.com/automotive
Clocks & Buffers	cypress.com/clocks
Interface	cypress.com/interface
Internet of Things	cypress.com/iot
Memory	cypress.com/memory
Microcontrollers	cypress.com/mcu
PSoC	cypress.com/psoc
Power Management ICs	cypress.com/pmic
Touch Sensing	cypress.com/touch
USB Controllers	cypress.com/usb
Wireless/RF	cypress.com/wireless

PSoC® Solutions

[PSoC 1](#) | [PSoC 3](#) | [PSoC 4](#) | [PSoC 5LP](#)

Cypress Developer Community

[Forums](#) | [WICED IOT Forums](#) | [Projects](#) | [Video](#) | [Blogs](#) | [Training](#) | [Components](#)

Technical Support

cypress.com/support

ARM and Cortex are the registered trademarks of ARM Limited in the EU and other countries.

All other trademarks or registered trademarks referenced herein are the property of their respective owners.

© Cypress Semiconductor Corporation, 2014-2016. This document is the property of Cypress Semiconductor Corporation and its subsidiaries, including Spansion LLC ("Cypress"). This document, including any software or firmware included or referenced in this document ("Software"), is owned by Cypress under the intellectual property laws and treaties of the United States and other countries worldwide. Cypress reserves all rights under such laws and treaties and does not, except as specifically stated in this paragraph, grant any license under its patents, copyrights, trademarks, or other intellectual property rights. If the Software is not accompanied by a license agreement and you do not otherwise have a written agreement with Cypress governing the use of the Software, then Cypress hereby grants you a personal, non-exclusive, nontransferable license (without the right to sublicense) (1) under its copyright rights in the Software (a) for Software provided in source code form, to modify and reproduce the Software solely for use with Cypress hardware products, only internally within your organization, and (b) to distribute the Software in binary code form externally to end users (either directly or indirectly through resellers and distributors), solely for use on Cypress hardware product units, and (2) under those claims of Cypress's patents that are infringed by the Software (as provided by Cypress, unmodified) to make, use, distribute, and import the Software solely for use with Cypress hardware products. Any other use, reproduction, modification, translation, or compilation of the Software is prohibited.

TO THE EXTENT PERMITTED BY APPLICABLE LAW, CYPRESS MAKES NO WARRANTY OF ANY KIND, EXPRESS OR IMPLIED, WITH REGARD TO THIS DOCUMENT OR ANY SOFTWARE OR ACCOMPANYING HARDWARE, INCLUDING, BUT NOT LIMITED TO, THE IMPLIED WARRANTIES OF MERCHANTABILITY AND FITNESS FOR A PARTICULAR PURPOSE. To the extent permitted by applicable law, Cypress reserves the right to make changes to this document without further notice. Cypress does not assume any liability arising out of the application or use of any product or circuit described in this document. Any information provided in this document, including any sample design information or programming code, is provided only for reference purposes. It is the responsibility of the user of this document to properly design, program, and test the functionality and safety of any application made of this information and any resulting product. Cypress products are not designed, intended, or authorized for use as critical components in systems designed or intended for the operation of weapons, weapons systems, nuclear installations, life-support devices or systems, other medical devices or systems (including resuscitation equipment and surgical implants), pollution control or hazardous substances management, or other uses where the failure of the device or system could cause personal injury, death, or property damage ("Unintended Uses"). A critical component is any component of a device or system whose failure to perform can be reasonably expected to cause the failure of the device or system, or to affect its safety or effectiveness. Cypress is not liable, in whole or in part, and you shall and hereby do release Cypress from any claim, damage, or other liability arising from or related to all Unintended Uses of Cypress products. You shall indemnify and hold Cypress harmless from and against all claims, costs, damages, and other liabilities, including claims for personal injury or death, arising from or related to any Unintended Uses of Cypress products.

Cypress, the Cypress logo, Spansion, the Spansion logo, and combinations thereof, WICED, PSoC, CapSense, EZ-USB, F-RAM, and Traveo are trademarks or registered trademarks of Cypress in the United States and other countries. For a more complete list of Cypress trademarks, visit cypress.com. Other names and brands may be claimed as property of their respective owners.