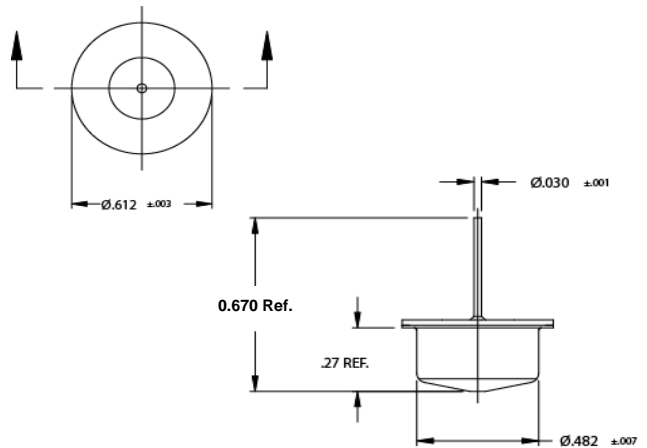


Part No: 5220
T08 Series



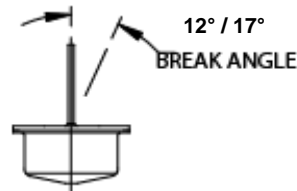
Tip Over Switch - Mercury

- Features:**
- * Un-Insulated
 - * Form: NC/SPST/Vertical Mount as shown
 - * Angles Referenced from Horizontal
 - * Single Electrode
 - * Hermetically Sealed
 - * Small Package Size
 - * Narrow Included Angle
 - * High Current Capability
 - * Low Contact Resistance
 - * Long Life



Dimensions in inches

Tilt switches “make” when the electrode is tilted below horizontal and “break” when tilted above the horizontal. Total travel from “make” to “break” is the “Maximum included angle” shown below. The component to which the switch is attached must have a total tilt angle greater than the “Maximum included angle” for proper operation.



Typical Break Angle * :	12° / 17°
Typical Remake Angle:	7° / 14°
	* Make/break angles are electrode + (above) / - (below) 0° horizontal reference
Switch Ratings:	
Max Switching Voltage	240V 60Hz
Max Switching Current	1.7A / 120V 60Hz; 0.75A / 240VAC ; 1A / 12VDC
Initial Contact Resistance (Max).	5 Ohms max (0.05A at 12VDC)
Stand Off Voltage (contact to contact)	1240 V
Operating Temperature	-37° to 220°F / -38° to 105°C
Storage Temperature	-40° to 356°F / -40° to 180°C
Typical number of operations at specified load	10,000,000
G-Force Activation G-Level/Range	N/A
Dimensions:	
Weight per 100pcs. Lbs / Kgs:	0.77 / 0.35
Body Length (with leads). Inches / Millimeters:	0.682 / 17.3
Maximum Diameter. Inches / Millimeters:	0.612 / 15.2
Materials:	
Lead Wire Type	N/A
Lead wire length/skive/termination	N/A
Finish:	Tin



American Electronic Components Inc.,
 1101 Lafayette Street, Elkhart, Indiana. USA
 Tel: +1-574-295-6330 Fax: +1-574-293-8013
 Email: sales@aecsensors.com
<http://www.aecsensors.com>

© American Electronic Components Inc 2006

Specifications are subject to change without notice. E&OE.

5220 11.20.08