

TRBUG1CxBx000E2G

Multi-rate Gigabit & Fast Ethernet Transceivers
Bi-Directional SFP 1000BASE 10KM LC Receptacle



Spec Outline			
	OPLINK	Customer	Notes
Spec. Number	S0489	NA	-
Spec. Revision	01	NA	-
Part Number	TRBUG1CFBI000E2G	NA	-
	TRBUG1CBBI000E2G	NA	
	TRBUG1CUBI000E2G	NA	
	TRBUG1CDBI000E2G	NA	
	TRBUG1CFBC000E2G	NA	
	TRBUG1CBBC000E2G	NA	
	TRBUG1CUBC000E2G	NA	
	TRBUG1CDBC000E2G	NA	
Initiate Date	Feb 27 th , 2015	NA	-
Document History			
Date	Status	Author	Remarks
2015/2/27	Version 01	Bin Xiao	Preliminary Specifications

TRBUG1CxBx000E2G

Multi-rate Gigabit & Fast Ethernet Transceivers
Bi-Directional SFP 1000BASE 10KM LC Receptacle



Features

- ☑ Lead Free Design & RoHS Compliant
- ☑ Compatible with SFP MSA
- ☑ Compliant with IEEE 802.3ah Gigabit Ethernet Standard
- ☑ 1310nm, 1490nm and 1550nm Wavelengths
- ☑ Distances up to 10km over Single Mode Fiber
- ☑ Digital Diagnostics through Serial Interface
- ☑ Eye Safe (Class 1 Laser Safety)
- ☑ Simplex LC Optical Interface
- ☑ -40°C to +85°C Operating Temperature option
- ☑ Hot-pluggable
- ☑ TX Fault & Loss of Signal Outputs
- ☑ TX Disable Input
- ☑ Single +3.3V Power Supply
- ☑ Option of Digital Diagnostics function



Description

The TRBUG1CxBx000E2G modules are single fiber, bi-directional SFP transceivers that provide a quick and reliable interface for 1000BASE-BX-D/U Gigabit Ethernet applications.

Three types of modules are available: the 1310nm FP laser-based transceiver (BX-U), the 1490nm DFB laser-based transceiver (BX-D) and the 1550nm DFB laser-based transceiver (BX-D). The transceivers possess option to be integrated with digital diagnostics monitoring, which provides features to detect a problem before system performance is impacted. The diagnostic functions, alarms and warning features are provided via an I2C serial interface as described per the Multi-Source Agreement (MSA) document, SFF-8472 (Rev. 9.4).

All modules meet Class 1 Laser Safety requirements in accordance with the U.S. and international standards as described in the FDA/CDRH and IEC-60825 documents, respectively.

The TRBUG1CxBx000E2G transceivers connect to standard 20-pad SFP connectors for hot plug capability. This allows the system designer to make configuration or maintenance changes by simply plugging in different types of transceivers without removing the power supply from the host system.

The transceivers have color-coded latches that identify the TX wavelength. The MSA compliant latch offers an easy and convenient way to release the module.

The transmitter and receiver DATA interfaces are AC-coupled internally. LV-TTL Transmitter Disable control input and Loss of Signal output interfaces are also provided.

The transceivers operate from a single +3.3V power supply over an operating case temperature range of -40°C to +85°C. The package is made of metal for EMI immunity.

Absolute Maximum Ratings

Parameter	Symbol	Min.	Max.	Units
Storage Temperature	T _{stg}	-40	+85	°C
Operating Case Temperature ¹	Commercial	-5	+70	°C
	Industrial	-40	+85	
Supply Voltage	V _{CC}	0	+4.5	V
Input Voltage	V _{IN}	0	V _{CC}	V

¹ Measured on top side of SFP module at the front center vent hole of the cage.

TRBUG1CxBx000E2G

Multi-rate Gigabit & Fast Ethernet Transceivers
Bi-Directional SFP 1000BASE 10KM LC Receptacle



Transmitter Performance Characteristics (Over Operating Case Temperature, V_{CC}= 3.13 to 3.47V)

All parameters guaranteed only at typical data rate

Parameter	Symbol	Minimum	Typical	Maximum	Units	
Operating Data Rate	B	125	-	1250	Mb/s	
Optical Output Power ¹	P_o	-9	-	-3	dBm	
Center Wavelength	BX10-U	1310nm FP	λ_c	1260	1310	nm
	BX10-D	1490nm DFB		1480	1490	
	BX10-D	1550nm DFB		1530	1550	
Spectral Width (RMS)	BX10-U	1281 - 1360nm	$\Delta\lambda_{RMSc}$	-	-	2.58
Spectral Width (-20dB)	BX10-D	1480 - 1500nm	$\Delta\lambda_{20}$	-	-	1
		1530- 1570nm		-	-	1
Extinction Ratio	P_{hi}/P_{lo}	6	-	-	dB	
Transmitter OFF Output Power	-	-	-	- 45	dBm	
Relative Intensity Noise	RIN_{12OMA}	-	-	- 113	dB/Hz	
Optical Return Loss Tolerance	$ORLT$	-	-	12	dB	
Transmitter Reflectance	TR	-	-	-12	dB	
Total Jitter	TJ	-	-	227	ps	
Transmitter Output Eye	Compliant with Eye Mask Defined in IEEE 802.3-2005 Standard					

¹.Measured average power coupled into single mode fiber

Receiver Performance Characteristics (Over Operating Case Temperature, V_{CC} = 3.13 to 3.47V)

All parameters guaranteed only at typical data rate

Parameter	Symbol	Minimum	Typical	Maximum	Units	
Operating Data Rate	B	125	-	1250	Mb/s	
Minimum Input Optical Power (10 ⁻¹² BER) ¹	P_{min}	- 20.0	-	-	dBm	
Maximum Input Optical Power (10 ⁻¹² BER) ¹	P_{max}	-3.0	-	-	dBm	
LOS Thresholds	Increasing Light Input	P_{los+}	-	-	- 20.0	
	Decreasing Light Input	P_{los-}	- 35.0	-	-	
LOS Hysteresis ¹	-	0.5	-	-	dB	
Total Jitter	T_J	-	-	266	ps	
Wavelength of Operation	BX10-U	1490nm	λ	1480	-	1500
		1550nm		1530	-	1570
	BX10-D	1310nm		1260	-	1360
Receiver Reflectance	-	-	-	- 12	dB	

¹Measured at 1250Mb/s with 2⁷-1 PRBS and 1310nm, 1490nm & 1550nm wavelengths.

Laser Safety:

All transceivers are Class 1 Laser products per FDA/CDRH and IEC-60825 standards. They must be operated under specified operating conditions.



Oplink Communications, LLC.

This product complies with
21 CFR 1040.10 and 1040.11
Meets Class 1 Laser Safety Requirements

TRBUG1CxBx000E2G

Multi-rate Gigabit & Fast Ethernet Transceivers
Bi-Directional SFP 1000BASE 10KM LC Receptacle



Transmitter Electrical Interface (over Operating Case Temperature, VCC = 3.13 to 3.47V)

Parameter	Symbol	Minimum	Typical	Maximum	Units
Input Voltage Swing (TD+ & TD-) ¹	V_{PP-DIF}	0.5	-	2.4	V
Input HIGH Voltage (TX Disable) ²	V_{IH}	2.0	-	V_{CC}	V
Input LOW Voltage (TX Disable) ²	V_{IL}	0	-	0.8	V
Output HIGH Voltage (TX Fault) ³	V_{OH}	2.0	-	$V_{CC} + 0.3$	V
Output LOW Voltage (TX Fault) ³	V_{OL}	0	-	0.8	V

¹Differential peak-to-peak voltage.
²There is an internal 4.7 to 10kΩ pull-up resistor to V_{CC} .
³Open collector compatible, 4.7 to 10kΩ pull-up resistor to V_{CC} .

Receiver Electrical Interface (over Operating Case Temperature, VCC = 3.13 to 3.47V)

Parameter	Symbol	Minimum	Typical	Maximum	Units
Output Voltage Swing (RD+ & RD) ¹	V_{PP-DIF}	0.6	-	2	V
Output HIGH Voltage (LOS) ²	V_{OH}	2.0	-	$V_{CC} + 0.3$	V
Output LOW Voltage (LOS) ²	V_{OL}	0	-	0.5	V

¹Differential peak-to-peak voltage across external 100Ω load.
²Open collector compatible, 4.7 to 10kΩ pull-up resistor to V_{CC} .

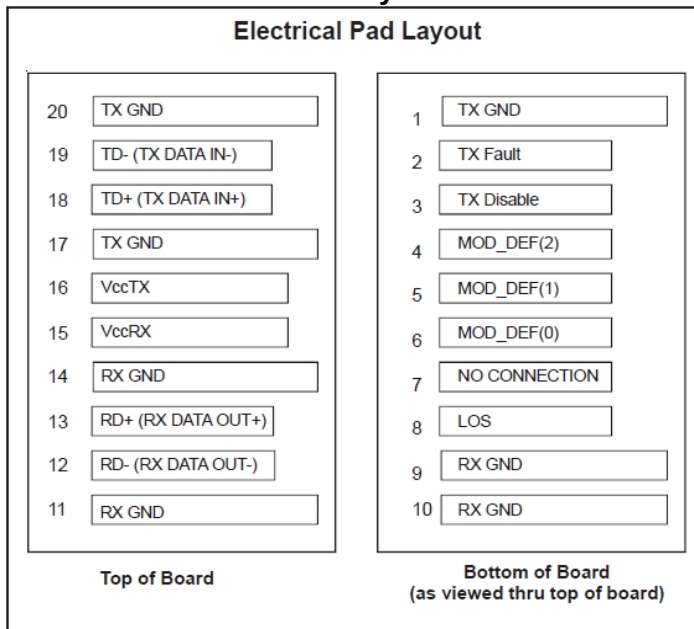
Electrical Power Supply Characteristics (over Operating Case Temperature, VCC = 3.13 to 3.47V)

Parameter	Symbol	Minimum	Typical	Maximum	Units
Supply Voltage	V_{CC}	3.13	3.3	3.47	V
Supply Current	I_{CC}	-	-	300	mA

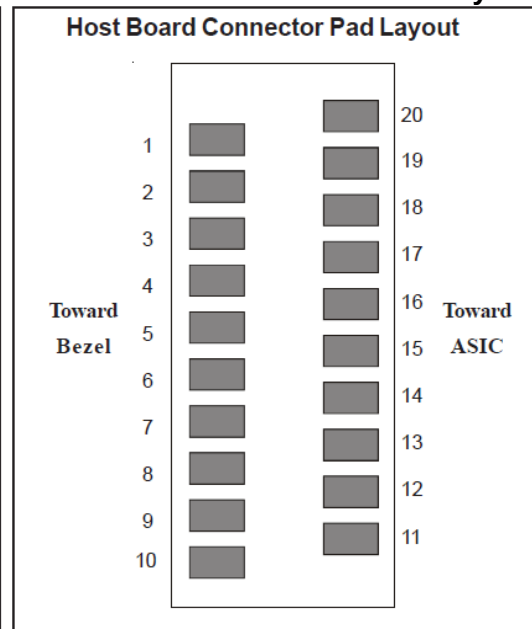
Module Definition

MOD_DEF(0) pin 6	MOD_DEF(1) pin 5	MOD_DEF(2) pin 4	Interpretation by Host
TTL LOW	SCL	SDA	Serial module definition protocol

Electric Pad Layout



Host Board Connector Pad Layout

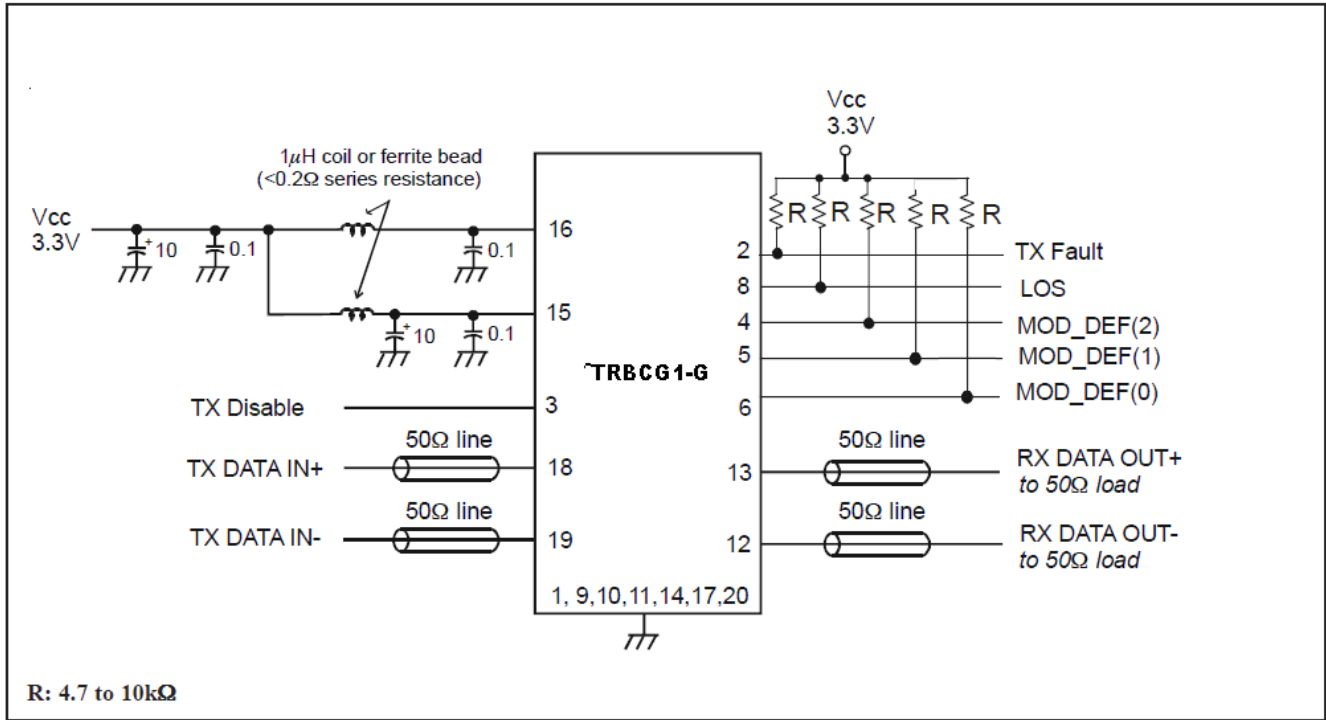


TRBUG1Cx000E2G

Multi-rate Gigabit & Fast Ethernet Transceivers
Bi-Directional SFP 1000BASE 10KM LC Receptacle



Example of SFP host board schematic



Application Notes

Electrical interface: All signal interfaces are compliant with the SFP MSA specification. The high speed DATA interface is differential AC-coupled internally with 1µF and can be directly connected to a 3.3V SERDES IC. All low speed control and sense output signals are open collector TTL compatible and should be pulled up with a 4.7 - 10kΩ resistor on the host board.

Loss of Signal (LOS): The Loss of Signal circuit monitors the level of the incoming optical signal and generates logic HIGH when an insufficient photocurrent is produced.

TX Fault: The output indicates LOW when the transmitter is operating normally and HIGH with a laser fault including laser end-of-life. TX Fault is an open collector/drain output and should be pulled up with a 4.7 - 10kΩ resistor on the host board. TX Fault is non-latching (automatically deasserts when fault goes away).

TX Disable: When the TX Disable pin is at logic HIGH, the transmitter optical output is disabled (less than -45dBm).

Serial Identification: The module definition of SFP is indicated by the three module definition pins, MOD_DEF(0), MOD_DEF(1) and MOD_DEF(2). Upon power up, MOD_DEF(1:2) appear as NC (no connection), and MOD_DEF(0) is TTL LOW. When the host system detects this condition, it activates the serial protocol (standard two-wire I2C serial interface) and generates the serial clock signal (SCL). The negative edge clocks data from the SFP EEPROM.

The serial data signal (SDA) is for serial data transfer. The host uses SDA in conjunction with SCL to mark the start and end of serial protocol activation.

The data transfer protocol and the details of the mandatory and vendor specific data structures are defined in the SFP MSA. EEPROM ID is per SFF-8472, Rev. 9.4.

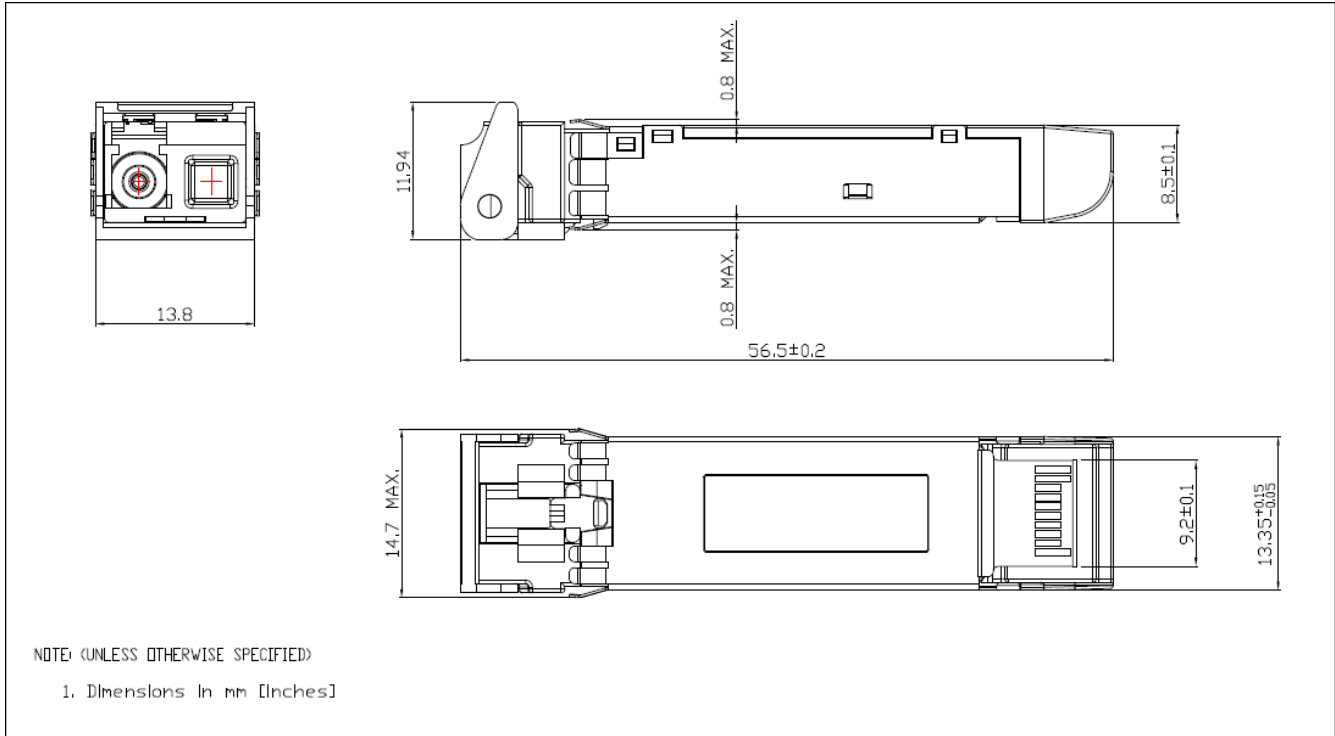
Power supply and grounding: The power supply line should be well-filtered. All 0.1µF power supply bypass capacitors should be as close to the transceiver module as possible.

TRBUG1CxBx000E2G

Multi-rate Gigabit & Fast Ethernet Transceivers
Bi-Directional SFP 1000BASE 10KM LC Receptacle



Package Outline



Ordering information

Part Number	DDM	Operating Temperature range	Latch Color	Nominal Wavelength		Optical Link Power Budget	Distance ¹
				Tx	Rx		
TRBUG1CFBI000E2G	YES	-40~85 °C	Blue	1310nm	1490nm	11dB	10km
TRBUG1CBBI000E2G	YES	-40~85 °C	Violet	1490nm	1310nm	11dB	10km
TRBUG1CUBI000E2G	YES	-40~85 °C	Blue	1310nm	1550nm	11dB	10km
TRBUG1CDBI000E2G	YES	-40~85 °C	Yellow	1550nm	1310nm	11dB	10km
TRBUG1CFBC000E2G	YES	-5~70 °C	Blue	1310nm	1490nm	11dB	10km
TRBUG1CBBC000E2G	YES	-5~70 °C	Violet	1490nm	1310nm	11dB	10km
TRBUG1CUBC000E2G	YES	-5~70 °C	Blue	1310nm	1550nm	11dB	10km
TRBUG1CDBC000E2G	YES	-5~70 °C	Yellow	1550nm	1310nm	11dB	10km

¹ The indicated transmission distance is for guidelines only, not guaranteed. The exact distance is dependent on the fiber loss, connector and splice loss, and allocated system penalty. Longer distances can be supported if the optical link power budget is satisfied.

Oplink Communications, LLC. reserves the right to make changes in equipment design or specifications without notice. Information supplied by Oplink Communications, LLC. is believed to be accurate and reliable. However, no responsibility is assumed by Oplink Communications, LLC. for its use nor for any infringements of third parties, which may result from its use. No license is granted by implication or otherwise under any patent right of Oplink Communications, LLC.

©2015 Oplink Communications, LLC.