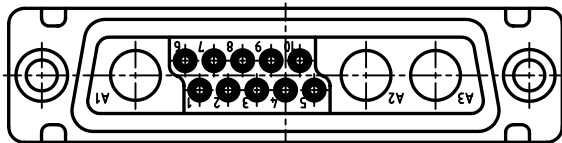
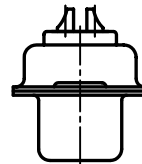
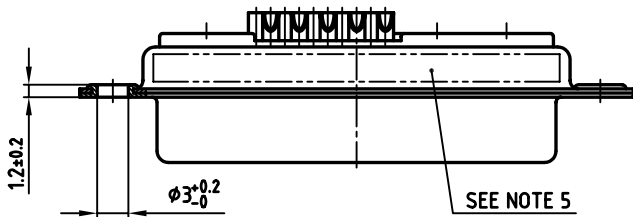
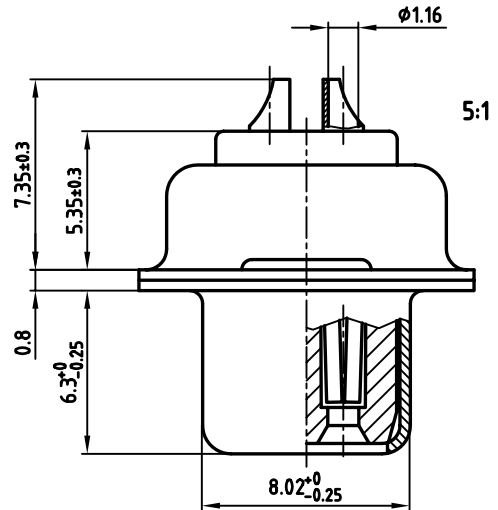
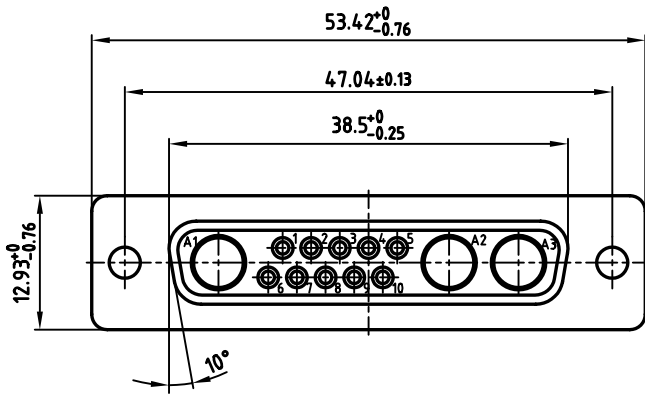


used for: D-SUB COMBINATION



(b) NOTES:

1. METALSHELLS: STEEL; min. 315µin TIN over 40-80µin NICKEL
2. INSULATORS: PBT GF UL 94 V-0, GREEN
3. SIGNAL CONTACTS: COPPER ALLOY
PLATING: 30µin HARD GOLD OVER min. 50µin NICKEL
SOLDER CUP ACCEPTS CABLE AWG 20
4. NO CONTACTS ON POS. A1-A3
5. CONNECTOR IS PART MARKED: 3013W3SCM99A10X CONEC ABC

Directive 2002/95/EC
"RoHS"
Compliant

APPROVAL # FREIGABE # DEBLOCAGE # AUTORIZACION # APPROVAL	
CUSTOMER APPROVAL DATE:	
NAME:	TITLE:
COMPANY NAME:	
APPROVAL # FREIGABE # DEBLOCAGE # AUTORIZACION # APPROVAL	

THIS DRAWING MAY NOT BE COPIED OR REPRODUCED IN ANY WAY, AND MAY NOT BE PASSED ON TO A THIRD PARTY, WITHOUT WRITTEN PERMISSION.
OWNERSHIP AND COPYRIGHT OF CONEC GmbH
DO NOT ALTER CAD DRAWING BY HAND

rev.	description	date	name
1 x b	Ä 2535	18.07.2006	Lehmen
a	Origin		

tolerance		dim. in mm
2001	date	
drawn	01.10.	name
appd.	01.10.	E. Mickenbecker
norm		
d-old		

scale:	2:1 (5:1)	
material:	SEE NOTES	
title:		
D-SUB COMBINATION FEMALE		
13W3 SOLDER CUP		
dwg no:	AutoCAD 2006	DIN-A
13K1A354A		3
part no: 3013W3SCM99A10X		sh: 1/1