

FR801 THRU FR806

8.0 AMP FAST RECOVERY RECTIFIERS



FEATURES

- * Low forward voltage drop
- * High current capability
- * High reliability
- * High surge current capability

MECHANICAL DATA

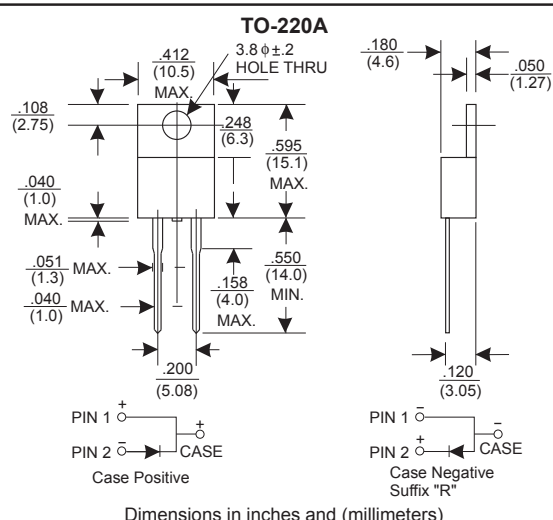
- * Case: Molded plastic
- * Epoxy: UL 94V-0 rate flame retardant
- * Lead: Lead solderable per MIL-STD-202, method 208 guaranteed
- * Polarity: As Marked
- * Mounting position: Any
- * Weight: 2.24 grams

VOLTAGE RANGE

50 to 800 Volts

CURRENT

8.0 Amperes



MAXIMUM RATINGS AND ELECTRICAL CHARACTERISTICS

Rating 25°C ambient temperature unless otherwise specified.
Single phase half wave, 60Hz, resistive or inductive load.
For capacitive load, derate current by 20%.

| TYPE NUMBER | FR801 | FR802 | FR803 | FR804 | FR805 | FR806 | UNITS |
|---|------------|-------|-------|-------|-------|-------|-------|
| Maximum Recurrent Peak Reverse Voltage | 50 | 100 | 200 | 400 | 600 | 800 | V |
| Maximum RMS Voltage | 35 | 70 | 140 | 280 | 420 | 560 | V |
| Maximum DC Blocking Voltage | 50 | 100 | 200 | 400 | 600 | 800 | V |
| Maximum Average Forward Rectified Current .375"(9.5mm) Lead Length at Tc=75°C | 8.0 | | | | | | A |
| Peak Forward Surge Current, 8.3 ms single half sine-wave superimposed on rated load (JEDEC method) | 200 | | | | | | A |
| Maximum Instantaneous Forward Voltage at 8.0A | 1.3 | | | | | | V |
| Maximum DC Reverse Current Tc=25°C | 10.0 | | | | | | μA |
| at Rated DC Blocking Voltage Tc=100°C | 200 | | | | | | μA |
| Maximum Reverse Recovery Time (Note 1) | 150 | | | 250 | | 500 | nS |
| Typical Junction Capacitance (Note 2) | 65 | | | | | | pF |
| Operating and Storage Temperature Range Tj, Tstg | -65 — +150 | | | | | | °C |

NOTES:

- Reverse Recovery Time test condition: IF=0.5A, IR=1.0A, IRR=0.25A
- Measured at 1MHz and applied reverse voltage of 4.0V D.C.

RATING AND CHARACTERISTIC CURVES (FR801 THRU FR806)

FIG.1-TYPICAL FORWARD CHARACTERISTICS

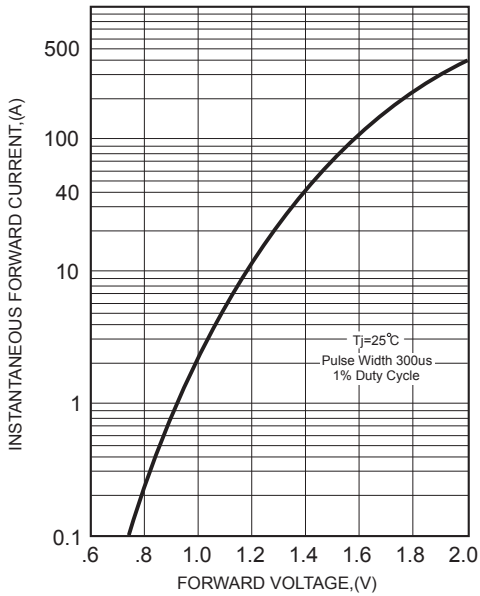


FIG.2-TYPICAL FORWARD CURRENT DERATING CURVE

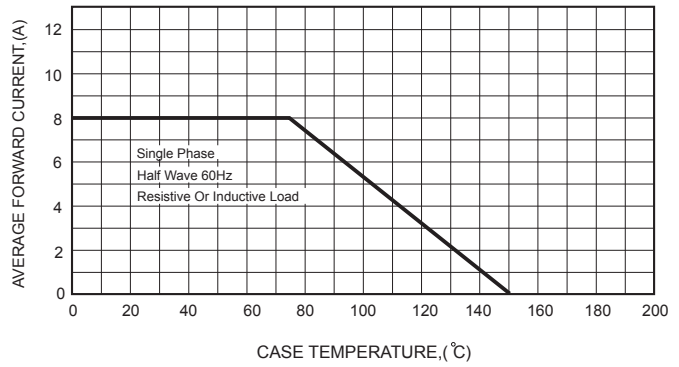
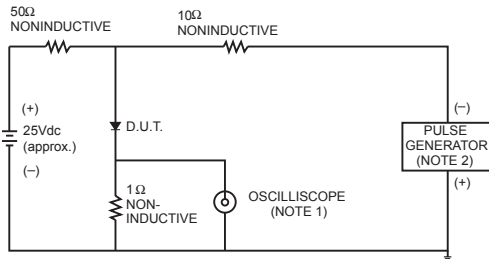


FIG.3- TEST CIRCUIT DIAGRAM AND REVERSE RECOVERY TIME CHARACTERISTICS



- NOTES: 1. Rise Time= 7ns max., Input Impedance= 1 megohm, 22pF.
2. Rise Time= 10ns max., Source Impedance= 50 ohms.

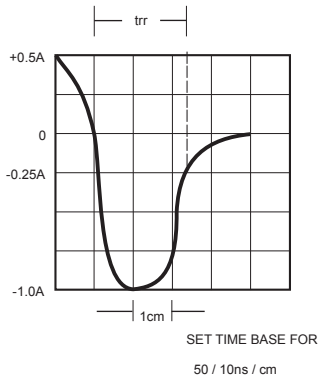


FIG.4-MAXIMUM NON-REPETITIVE FORWARD SURGE CURRENT

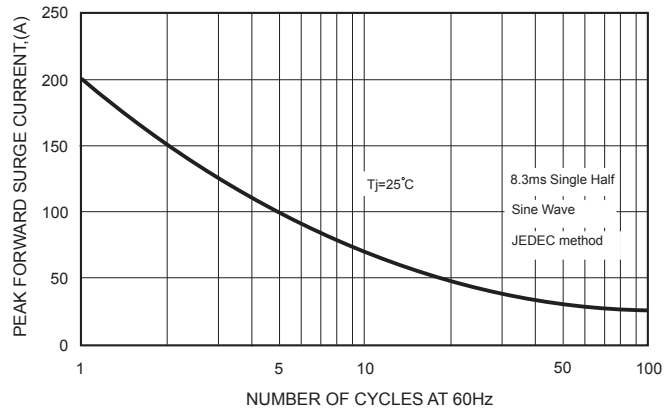


FIG.5-TYPICAL JUNCTION CAPACITANCE

