

# LTM3-02

## Ultra-Miniature Pushbutton Switches With Connector socket (Without LED)



RoHS Compliant

### ■ Features

1. Snap-in panel mount.
2. Connector interface for easy installation.
3. Dome shaped metal contact for sharp tactile feel.

### ■ Applications

- Operating buttons for gaming machines
- Signal input buttons of various equipments

### ■ Specifications

Rating	1VA max. (50mA max.48VDC max)	0.5mA min.
Initial contact resistance	100 Ω max.	(1.5mA 200 μ VAC at 1.96N)
Dielectric strength	250VAC 1 minute	
Insulation resistance	100MΩ min	(100VDC)
Electrical life	300,000 operations	
Contact Bounce	10 msec. max. (Initial value)	
Travel	0.25 mm	
Operating force (at peak force)	1.37 ± 0.39N	
Operating temperature range	-25~+70°C	
Storage temperature range	-40~+70°C	

### ■ Part Numbering

**LTM 3 - 02 - K**

Series

Structure

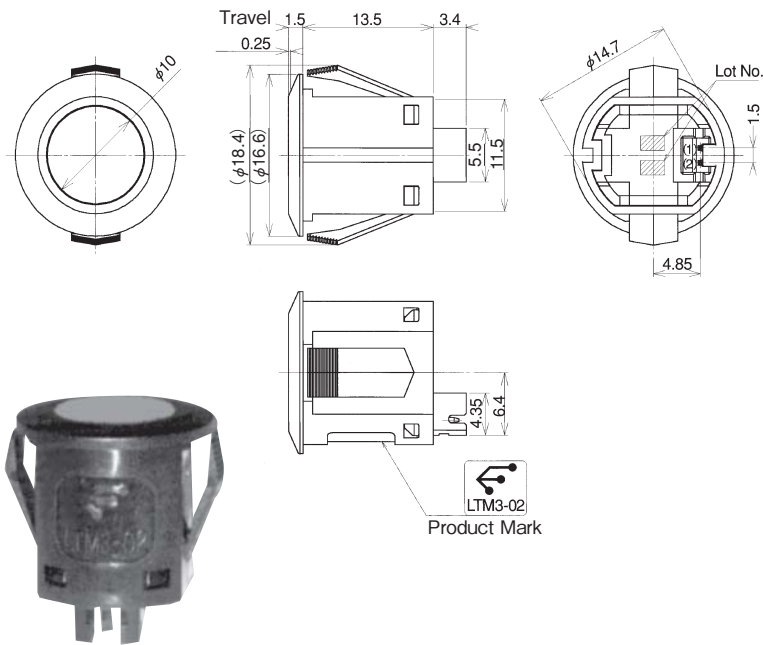
Registration No.

Button color

<b>K</b>	Black
<b>G</b>	Gray
<b>R</b>	Red
<b>M</b>	Green
<b>W</b>	White

# LTM3-02

## LTM3-02



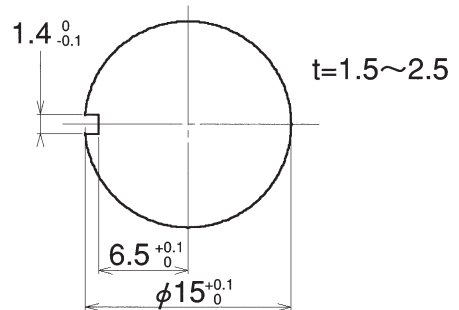
Part No.	Switching function		Circuit diagrams
LTM3-02-□	OFF	(ON)	(1)  (2)
Connecting terminals	—	(1) — (2)	

(ON) : means Momentary.  
 Button color code to be specified in □.

### ■Applicable Connector

[ZHR-2 (Housing) by J.S.T. MFG CO.,LTD.]

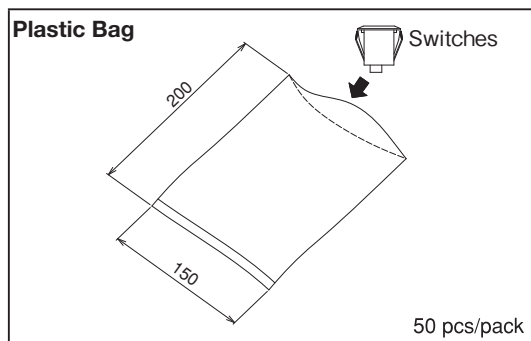
### ■Panel Cut-Out Dimensions



### ■Table of Part Numbers

Button color	Part No.
Black	★LTM3-02-K
Gray	LTM3-02-G
Red	★LTM3-02-R
Green	★LTM3-02-M
White	★LTM3-02-W

### ■Packaging Specifications



★ : Made to order products.