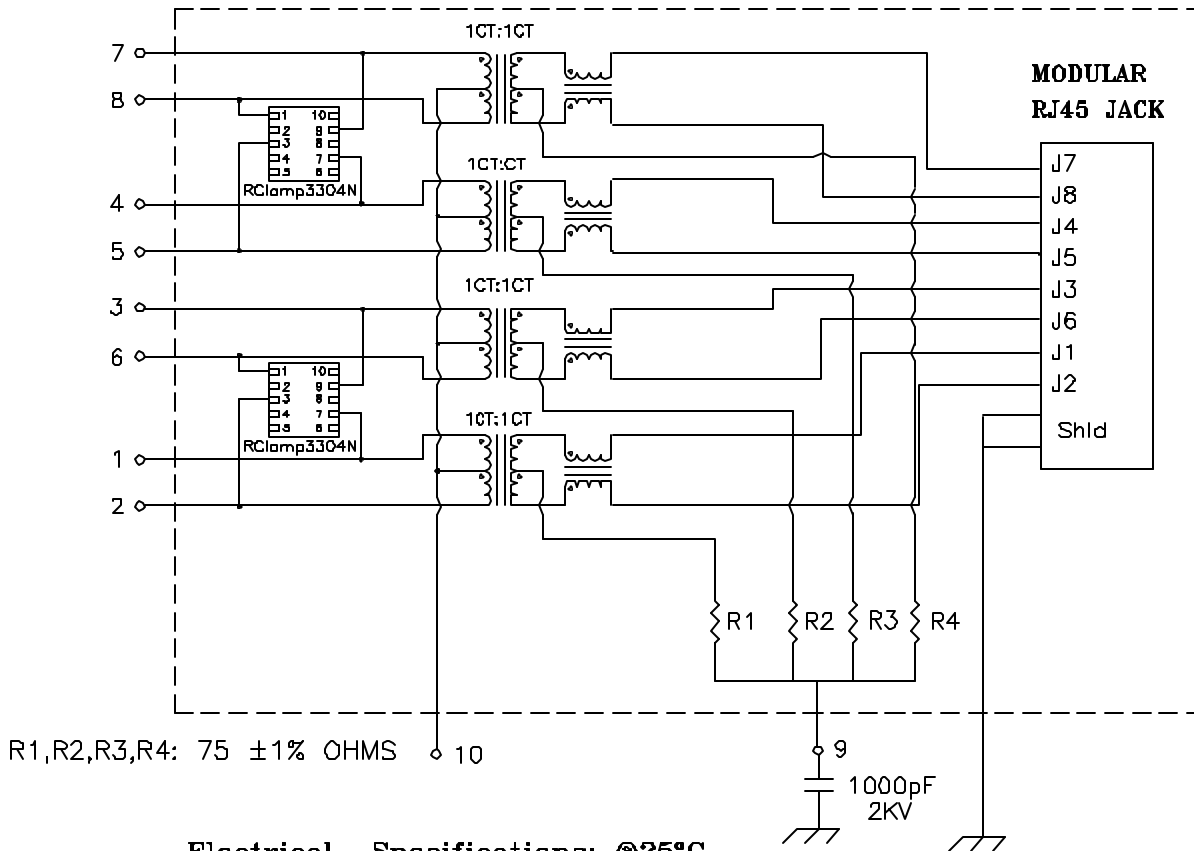


Schematic: (SINGLE PORT)



Electrical Specifications: @25°C

- ISOLATION: 1500 Vrms
- URNS RATIO: (PRI/SEC) 1CT:1CT ±2%
- OCL: 350uH MIN @100KHz 100mV 8mADC
- Rise Time: 1.75ns Max.
- INSERTION LOSS: -1.0dB MAX @1MHz-100MHz
-1.5dB MAX @100-125MHz
- RETURN LOSS: -18dB Min @1-30MHz
-15dB Min @40MHz -13.1dB Min @50MHz
-12dB Min @60-80MHz -10dB Min @100MHz
- Differential to Common Mode Rejection:
-43dB Min @30MHz -37dB Min @80MHz
-33dB Min @100MHz
- CMRR: -30dB Min @1-100MHz
- Crosstalk: -45dB Min @30MHz
-40dB Min @60MHz -35dB Min @100MHz

Notes:

1. Solderability: Leads shall meet MIL-STD-202G, Method 2008H for solderability.
2. Flammability: UL94V-0
3. ASTM oxygen index: > 28%
4. Insulation System: Class F 155°C. UL file E151566
5. Operating Temperature Range: All listed parameters are to be within tolerance from -40°C to +85°C
6. Storage Temperature Range: -25°C to +125°C
7. Aqueous wash compatible
8. Electrical and mechanical specifications 100% tested
9. RoHS Compliant Component
10. Designed to meet GR1089 Intra-Building Standards

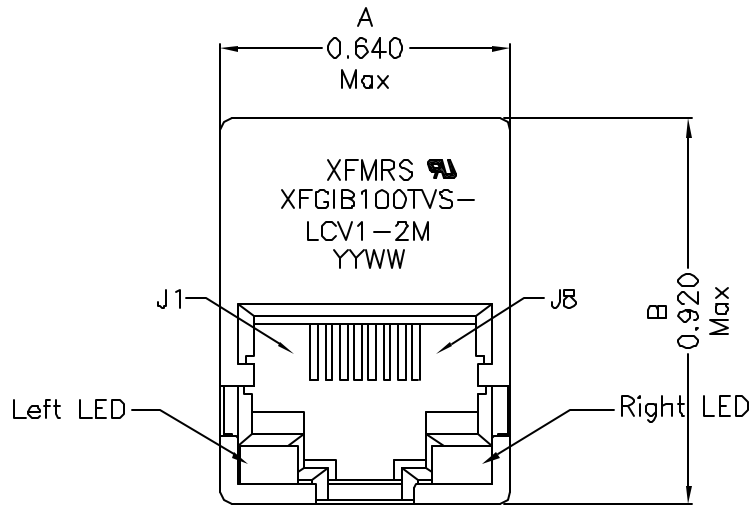
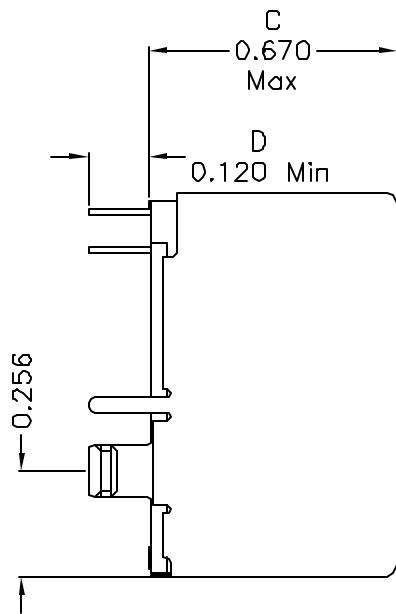
DOC REV.: A/1

PROPRIETARY:

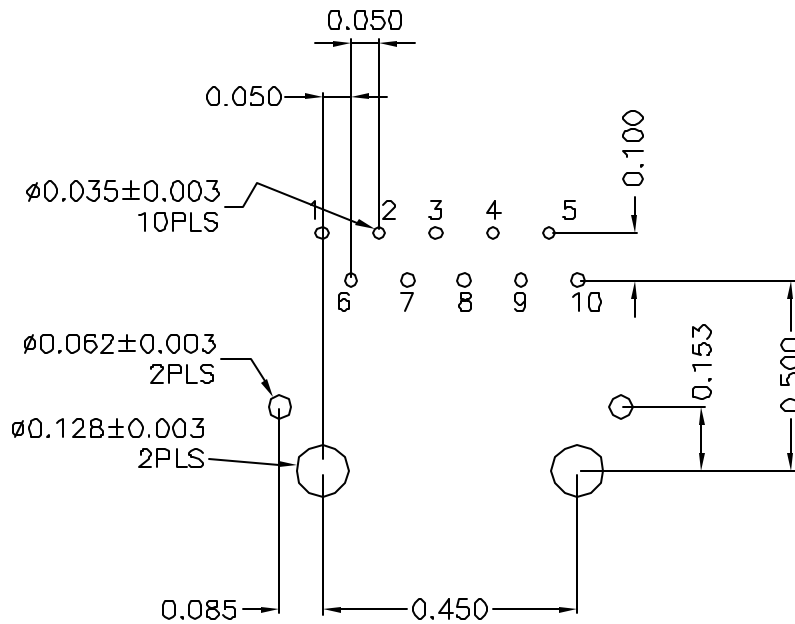
Document is the property of XFMRs Group & is not allowed to be duplicated without authorization.

XFMRs Inc. www.XFMRs.com	Title: SINGLE PORT LED COMBO		
	UNLESS OTHERWISE SPECIFIED	P/N: XFGIB100TVS-LCV1-2M	REV. A
TOLERANCES: .xxx ±0.010	DWN.	Juan Mao	Nov-07-06
Dimensions in Inch	CHK.	YK Liao	Nov-07-06
SHEET 1 OF 2	APP.	BW	Nov-07-06

Mechanical Dimensions:



Mounting Pattern:



P.C.B RECOMMENDED HOLE LAYOUT

DOC REV: A/1

PROPRIETARY

Document is the property of XFMRS Group & is not allowed to be duplicated without authorization.

XFMRS Inc. www.XFMRS.com		Title: Mechanical Dimensions For LCV1-2M Series	
UNLESS OTHERWISE SPECIFIED TOLERANCES: .xxx ±0.010 Dimensions in Inch		P/N: XFGIB100TVS-LCV1-2M	REV. A
DWN.	Juan Mao	Nov-07-06	
CHK.	YK Liao	Nov-07-06	
SHEET 2 OF 2	APP.	BW	Nov-07-06