



POSEICO SPA
POwer SEMiconductors Italian COrporation

POSEICO SPA
Via Pillea 42-44, 16153 Genova - ITALY
Tel. + 39 010 8599400 - Fax + 39 010 8682006
Sales Office:
Tel. + 39 010 8599400 - Fax + 39 010 8681180

FAST SWITCHING THYRISTOR

ATF413

Repetitive voltage up to
Mean on-state current
Surge current
Turn-off time

1200 V
705 A
9 kA
12 μ s

TARGET SPECIFICATION

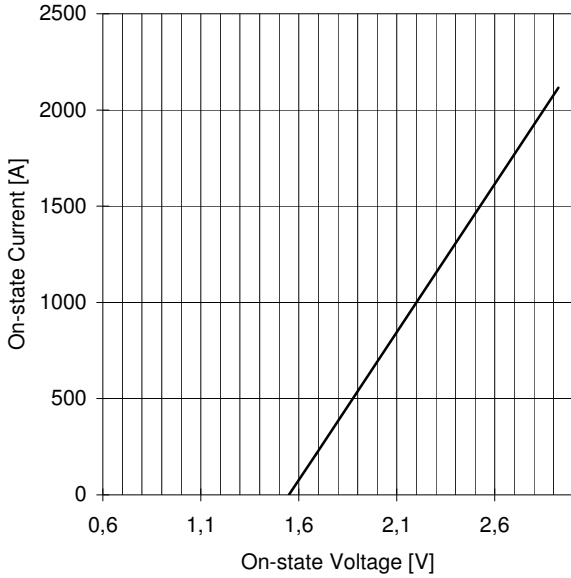
mag 06 - ISSUE : 04

Symbol	Characteristic	Conditions	T _j [°C]	Value	Unit			
BLOCKING								
V _{RRM}	Repetitive peak reverse voltage		125	1200	V			
V _{RSM}	Non-repetitive peak reverse voltage		125	1300	V			
V _{DRM}	Repetitive peak off-state voltage		125	1200	V			
I _{RRM}	Repetitive peak reverse current	V=VRRM	125	75	mA			
I _{DRM}	Repetitive peak off-state current	V=VDRM	125	75	mA			
CONDUCTING								
I _{T(AV)}	Mean on-state current	180° sin, 50 Hz, Th=55°C, double side cooled		705	A			
I _{T(AV)}	Mean on-state current	180° sin, 1 kHz, Th=55°C, double side cooled		565	A			
I _{TSM}	Surge on-state current, non repetitive	sine wave, 10 ms	125	9	kA			
I ² t	I ² t	without reverse voltage		405 x1E3	A ² s			
V _T	On-state voltage	On-state current = 1400 A	125	2,46	V			
V _{T(TO)}	Threshold voltage		125	1,55	V			
r _T	On-state slope resistance		125	0,650	mohm			
SWITCHING								
di/dt	Critical rate of rise of on-state current, min	From 75% VDRM up to 1200 A, gate 10V 5 ohm	125	500	A/ μ s			
dv/dt	Critical rate of rise of off-state voltage, min	Linear ramp up to 70% of VDRM	125	600	V/ μ s			
t _d	Gate controlled delay time, typical	VD=100V, gate source 20V, 10 ohm , tr=1 μ s	25	0,85	μ s			
t _q	Circuit commutated turn-off time	di/dt = 60 A/ μ s, I = 1000 A dV/dt = 200 V/ μ s , up to 80% VDRM	125	12	μ s			
Q _{rr}	Reverse recovery charge	di/dt = 60 A/ μ s, I = 1000 A	125	80	μ C			
I _{rr}	Peak reverse recovery current	VR = 50 V		75	A			
I _H	Holding current, typical	VD=5V, gate open circuit	25		mA			
I _L	Latching current, typical	VD=5V, tp=30 μ s	25		mA			
GATE								
V _{GT}	Gate trigger voltage	VD=5V	25	3,5	V			
I _{GT}	Gate trigger current	VD=5V	25	350	mA			
V _{GD}	Non-trigger gate voltage, min.	VD=VDRM	125	0,25	V			
V _{FGM}	Peak gate voltage (forward)		25	30	V			
I _{FGM}	Peak gate current		25	10	A			
V _{RGM}	Peak gate voltage (reverse)		25	5	V			
P _{GM}	Peak gate power dissipation	Pulse width 100 μ s	25	150	W			
P _{G(AV)}	Average gate power dissipation		25	3	W			
MOUNTING								
R _{th(j-h)}	Thermal impedance, DC	Junction to heatsink, double side cooled		37	°C/kW			
T _j	Operating junction temperature			-30 / 125	°C			
F	Mounting force			11.0 / 13.0	kN			
	Mass			320	g			
<p>ORDERING INFORMATION : ATF413 S 12 C ——— tq code</p> <p>standard specification <input type="checkbox"/> <input type="checkbox"/> VDRM&VRRM/100</p>								
			tq code	D 10 μ s	C 12 μ s	B 15 μ s	A 20 μ s	L 25 μ s
				M 30 μ s	N 35 μ s	P 40 μ s	R 45 μ s	S 50 μ s
				T 60 μ s	U 70 μ s	W 80 μ s	X 100 μ s	Y 150 μ s

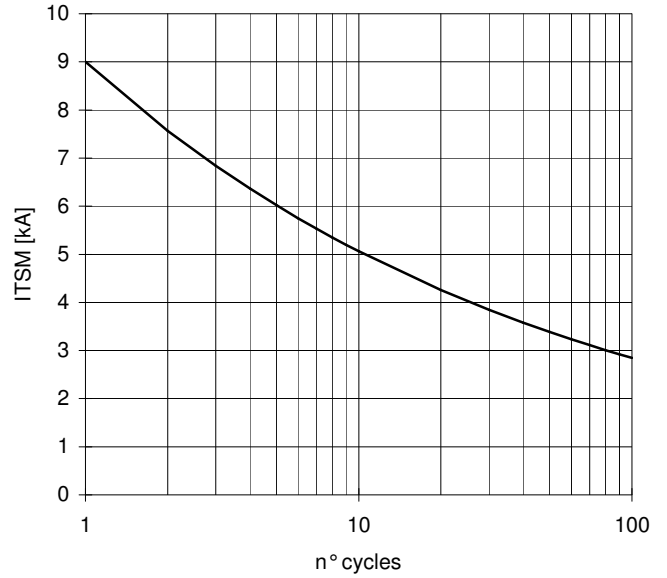
ATF413 FAST SWITCHING THYRISTOR

TARGET SPECIFICATION mag 06 - ISSUE : 04

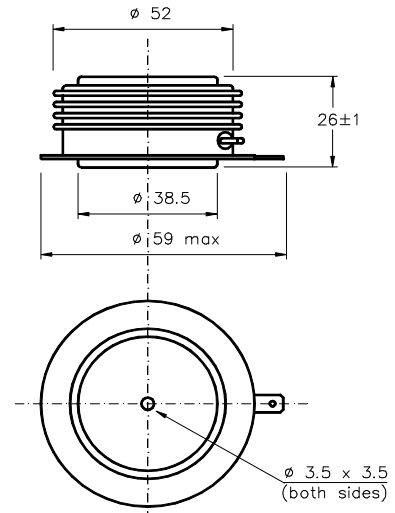
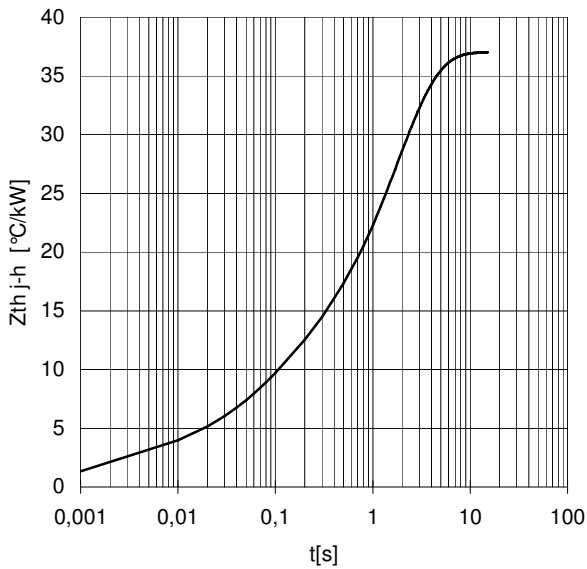
ON-STATE CHARACTERISTIC
 $T_j = 125\text{ }^\circ\text{C}$



SURGE CHARACTERISTIC
 $T_j = 125\text{ }^\circ\text{C}$



TRANSIENT THERMAL IMPEDANCE
DOUBLE SIDE COOLED



Dimensions
in mm



Cathode terminal type DIN 46244 - A 4.8 - 0.8

Gate terminal type AMP 60598 - 1

All the characteristics given in this data sheet are guaranteed only with uniform clamping force, cleaned and lubricated heatsink, surfaces with flatness < .03 mm and roughness < 2 μm .

In the interest of product improvement POSEICO SpA reserves the right to change any data given in this data sheet at any time without previous notice.

If not stated otherwise the maximum value of ratings (symbols over shaded background) and characteristics is reported.

Distributed by

