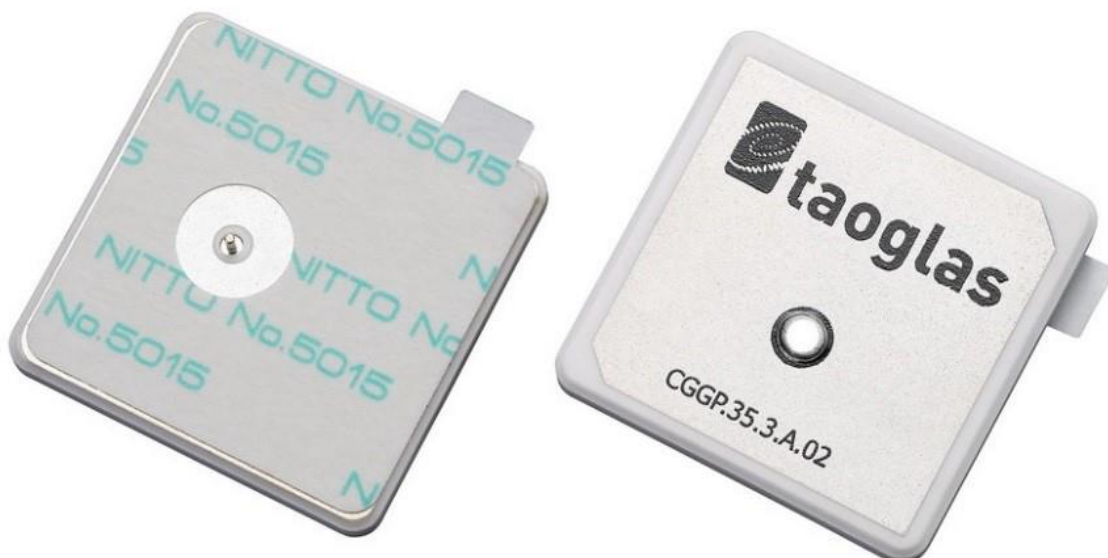


SPECIFICATION

- Part No. : **CGGP.35.3.A.02**
- Description : 3.5mm thick GPS/GLONASS/GALILEO Patch Antenna,
1575/1610Mhz
- Features : Wide-band Operation
35mm*35mm*3.5mm
4dBi Peak Gain (on 50mm*50mm ground-plane)
85% Efficiency (on 50mm*50mm ground-plane)
Pin type
Automotive TS16949 Production and Quality Approved
RoHS Compliant





1. Introduction

This 35mm ceramic GPS/GLONASS/GALILEO patch antenna, by means of a double resonance design, has unique wide-band operation over the whole operating bands of GPS/GALILEO and GLONASS systems from 1575MHz to 1610MHz. It is mounted via pin and double-sided adhesive.

This antenna has been tuned for a center position on a 50mm*50mm ground-plane. It is manufactured and tested in a TS16949 first tier automotive approved facility. For further optimization to customer specific device environments where positioning is off center or on different ground-plane sizes, custom tuned patch antennas can be supplied. Taoglas can also provide different pin lengths for these antennas, subject to potential NRE and MOQ. For more details please contact your regional Taoglas sales office.

2. Specification

ELECTRICAL		
Application Bands	GPS/GALILEO	GLONASS
Operation Frequency	1575.42 ±1.023MHz	1602±5MHz
Bandwidth	22MHz min	
VSWR	1.5	
Peak Gain	4dBi	
Gain @ Zenith	4 dBi typ.	
Gain @ 10° Elevation	1.5 dBi typ.	
Axial Ratio	3 dB max	
Impedance	50Ω	
Efficiency	85%	
Frequency Temperature Coefficient (τf)	0 ± 20ppm / oC	
MECHANICAL		
Ceramic Dimension	35*35*3.5mm	
Pin Length	1.67mm	
Pin Diameter	0.9mm	
ENVIRONMENTAL		
Storage Temperature	-40°C to 85°C	
Operation Temperature	-40°C to 85°C	
Humidity	Non-condensing 65°C 95% RH	

* Antenna properties were measured with the antenna mounted on 50*50mm Ground Plane Taoglas Part #CGGPD.35.A

3. Test Setup

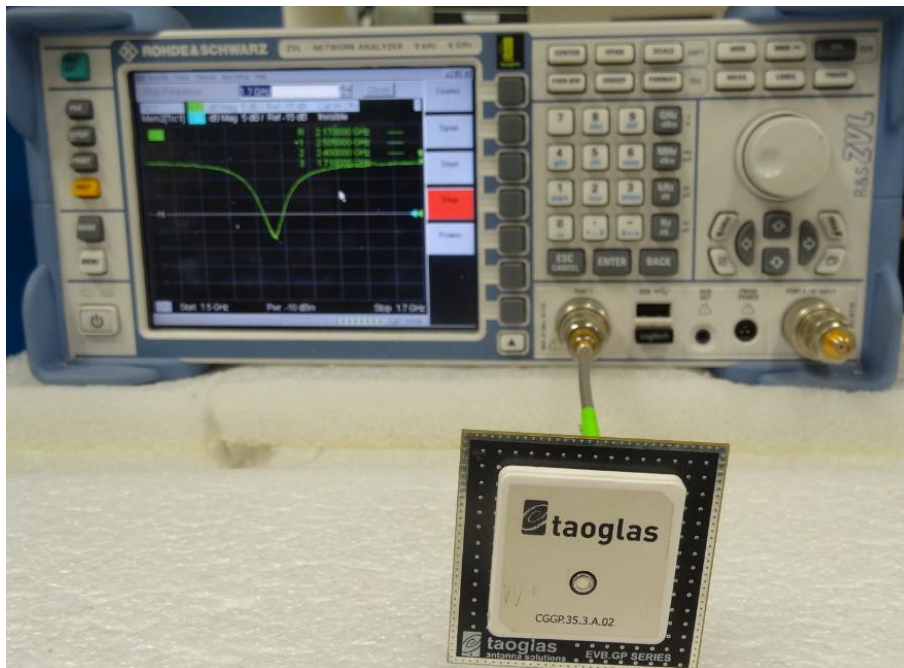


Figure 1. Return Loss measurement of the CGGP.35.3.A.02.

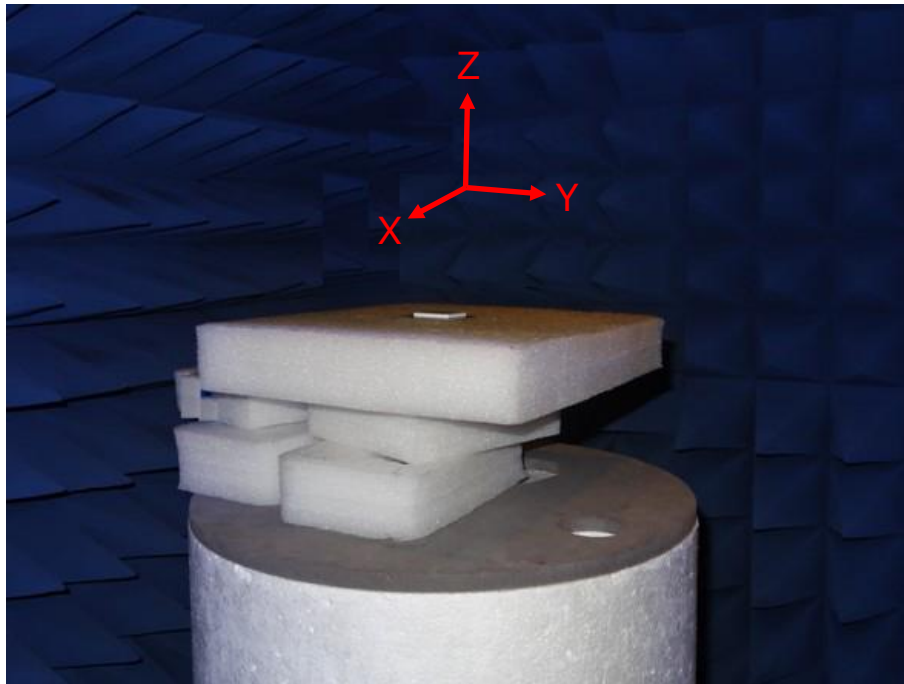


Figure 2. Peak gain, efficiency and radiation pattern measurements of the CGGP.35.3.A.02.

4. Antenna Characteristics

4.1. Return Loss

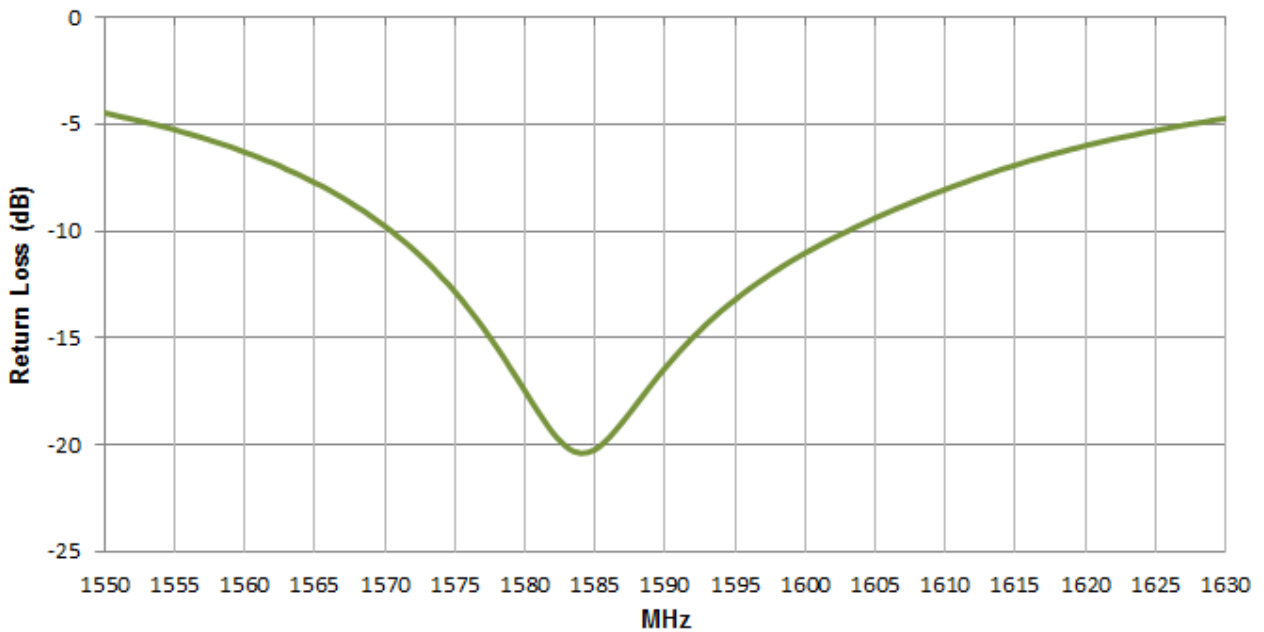


Figure 3. Return Loss of the CGGP.35.3.A.02.

4.2. VSWR

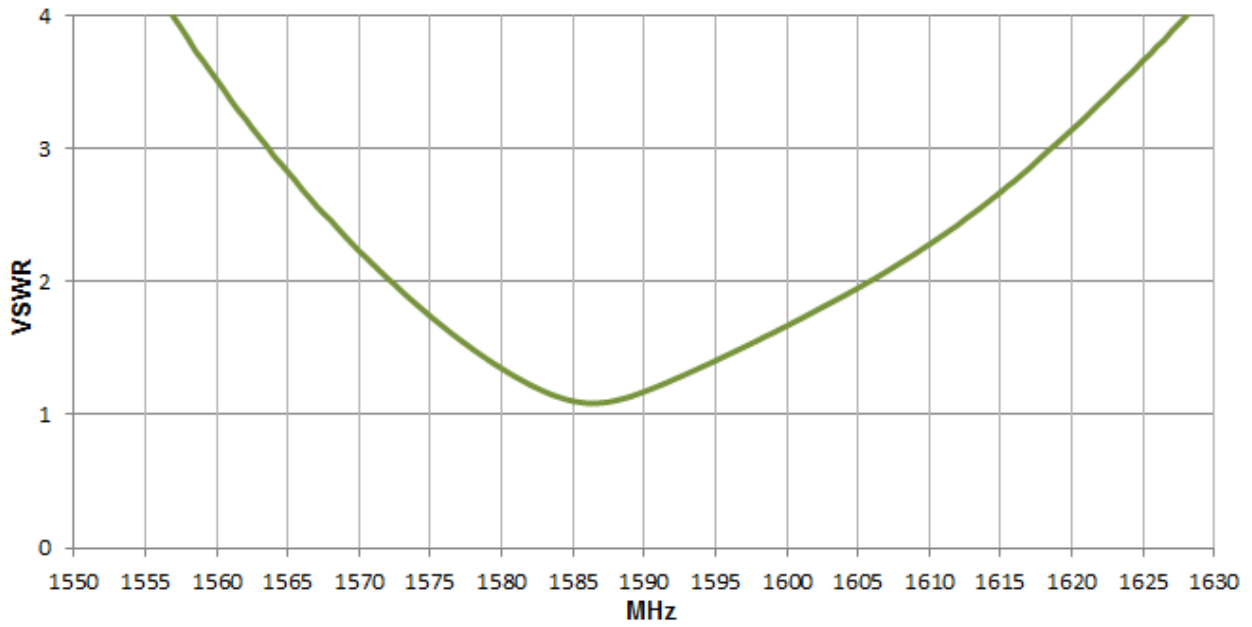


Figure 4. VSWR of the CGGP.35.3.A.02.

4.3. Efficiency

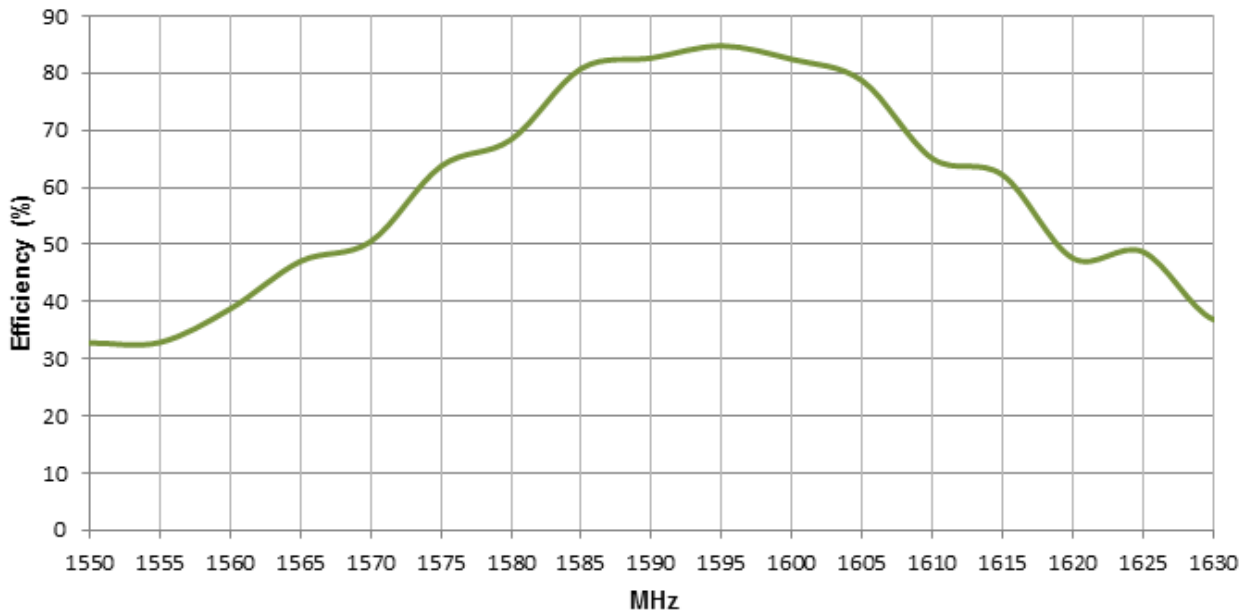


Figure 5. Efficiency of the CGGP.35.3.A.02.

4.4. Peak Gain

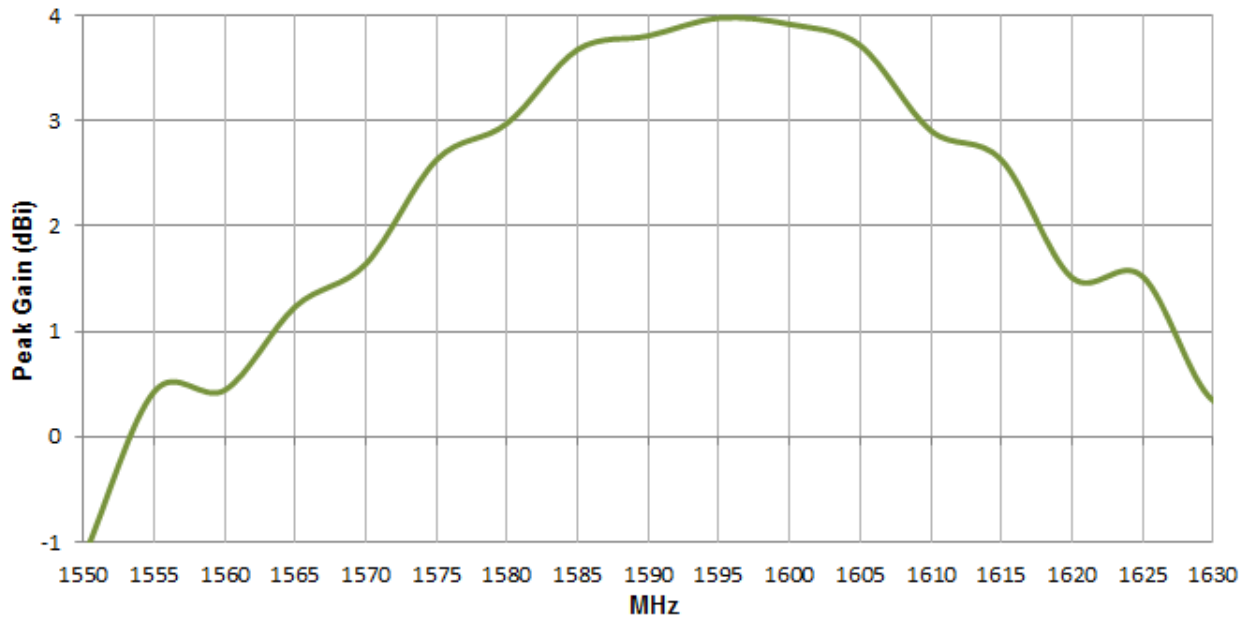


Figure 6. Peak Gain of the CGGP.35.3.A.02.

4.5. 2D Radiation Pattern

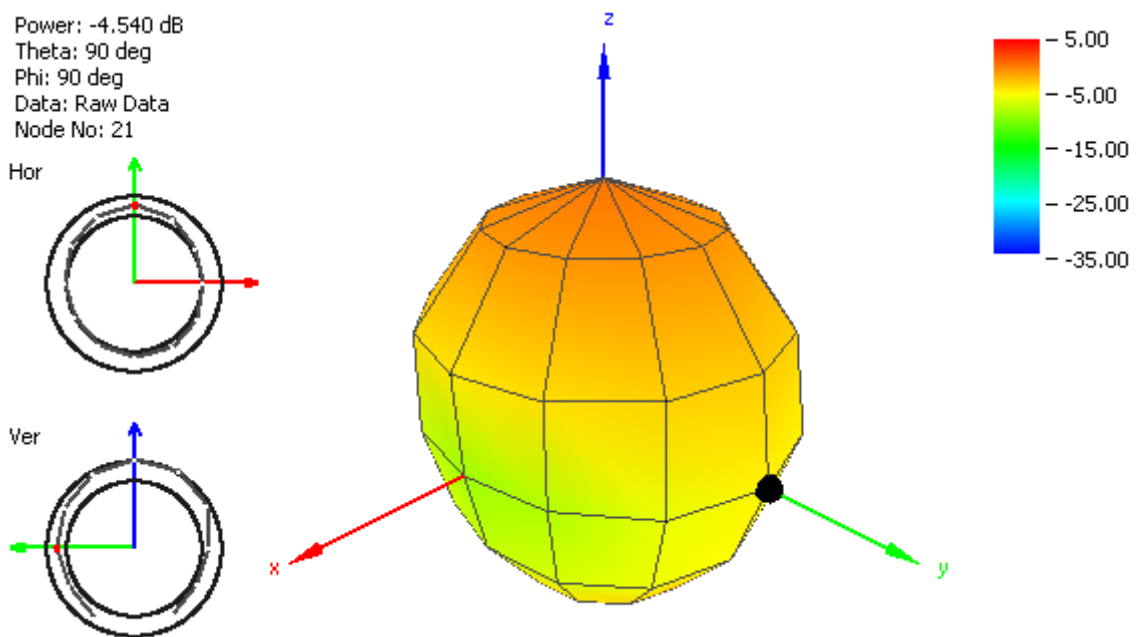


Figure 7. Radiation Pattern of the CGGP.35.3.A.02 at 1560Mhz.

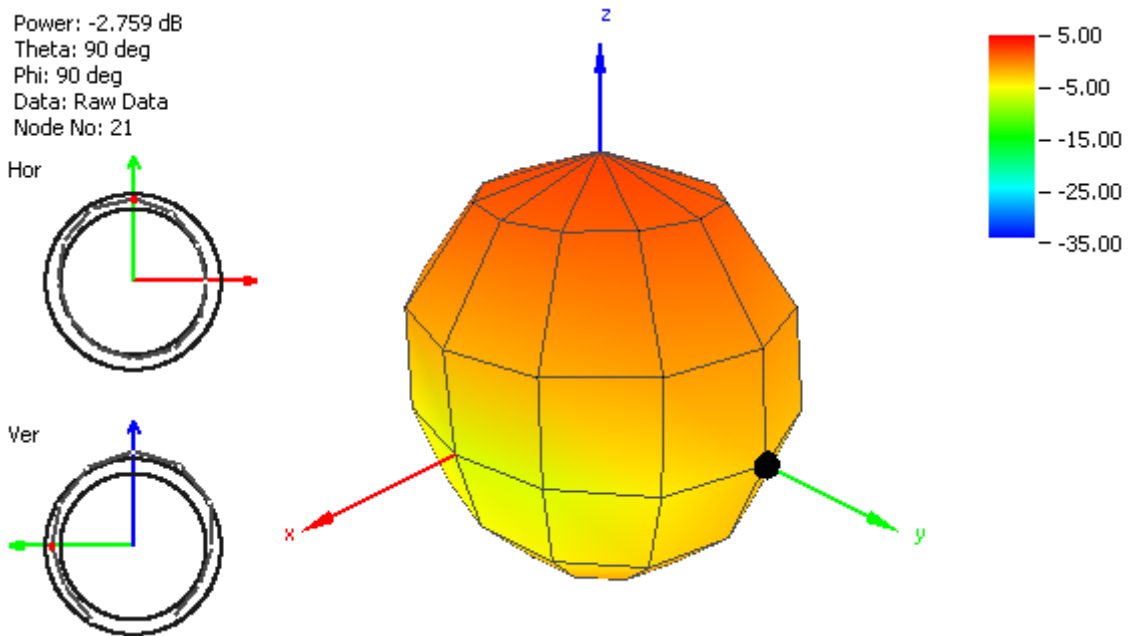


Figure 8. Radiation Pattern of the CGGP.35.3.A.02 at 1575Mhz.

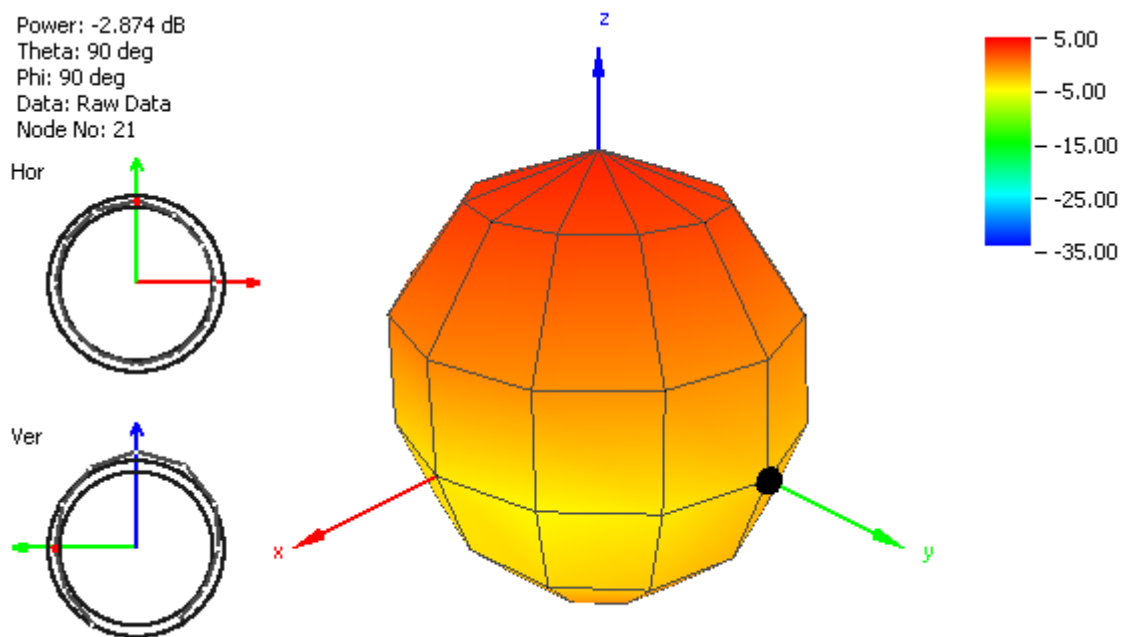


Figure 9. Radiation Pattern of the CGGP.35.3.A.02 at 1590Mhz.

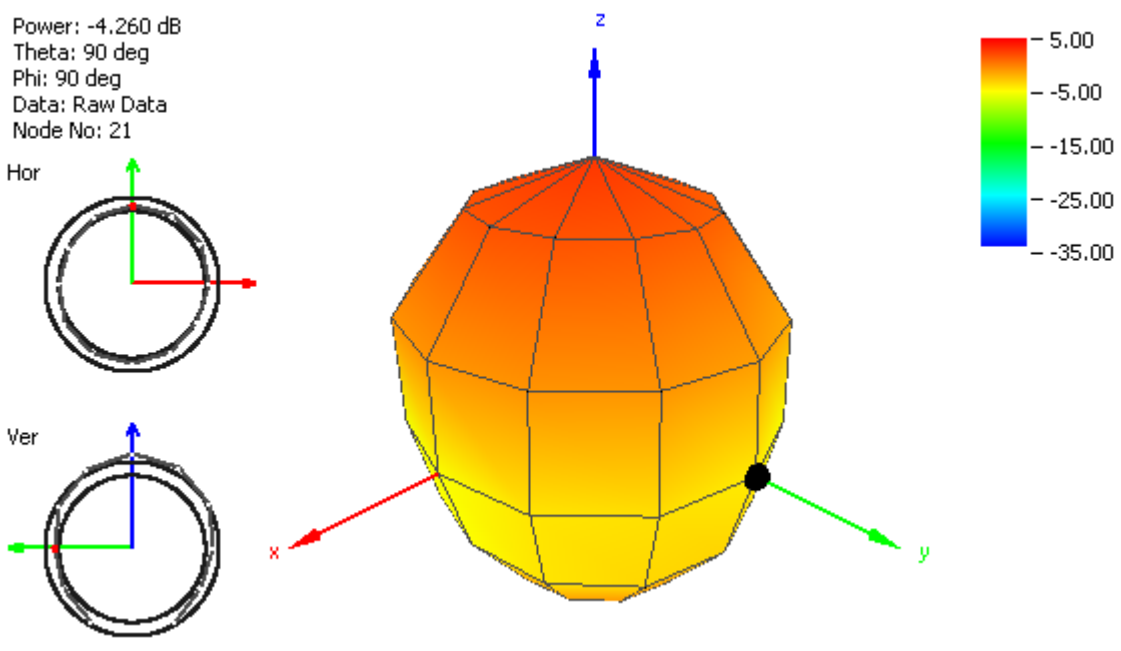
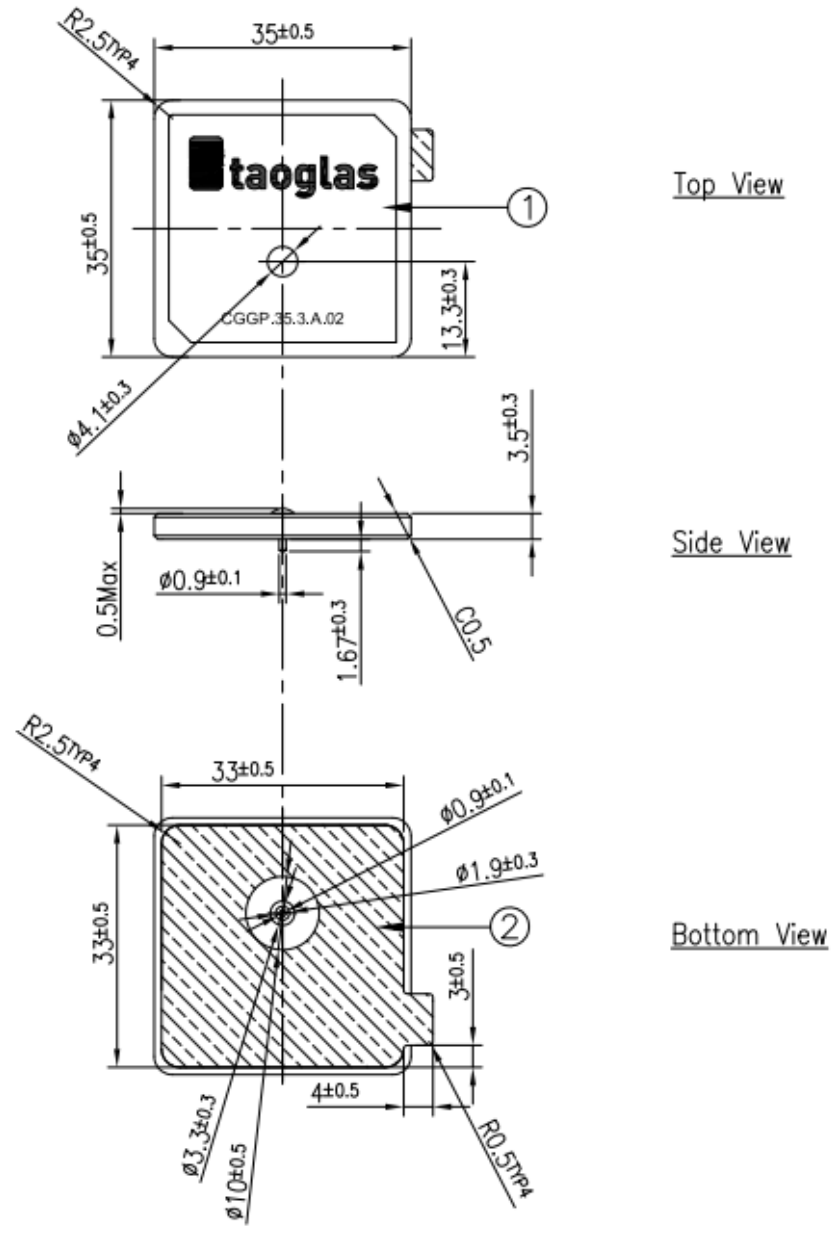


Figure 10. Radiation Pattern of the CGGP.35.3.A.02 at 1610Mhz.

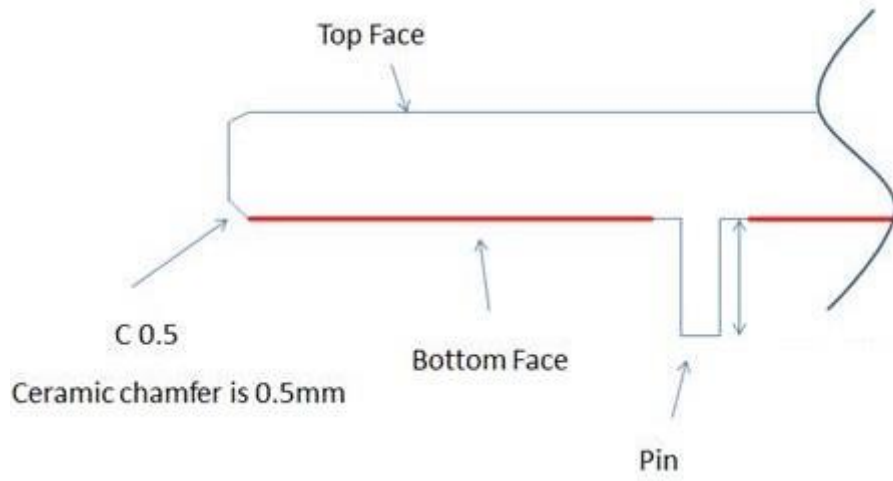
5. Mechanical Drawing (Unit: mm)



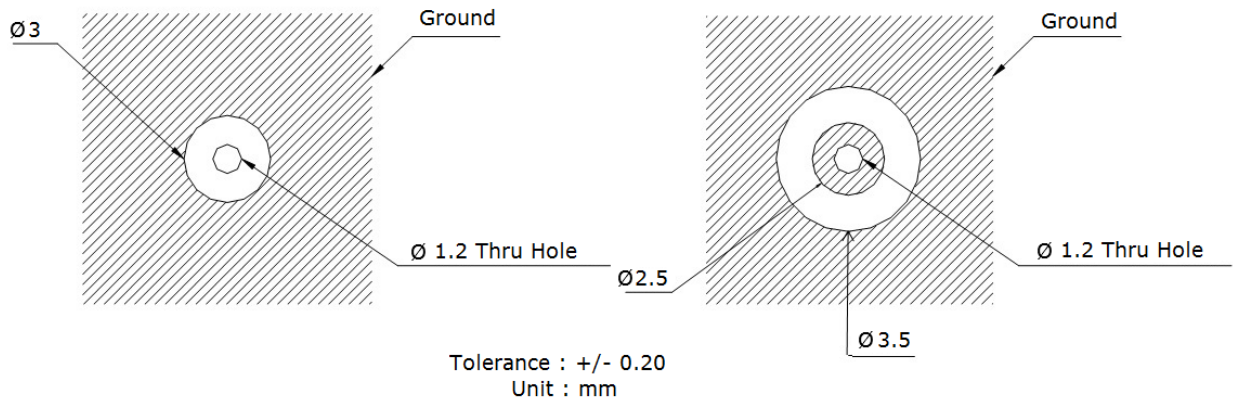
NOTES:
1. Double sided adhesive area.

	Name	P/N	Material	Finish	QTY
1	CGGP.35 Patch 35x35x3.5	001513C080007A	Ceramic	Clear	1
2	Double sided Adhesive	001013C020007A	NITTO 5015	White Liner	1

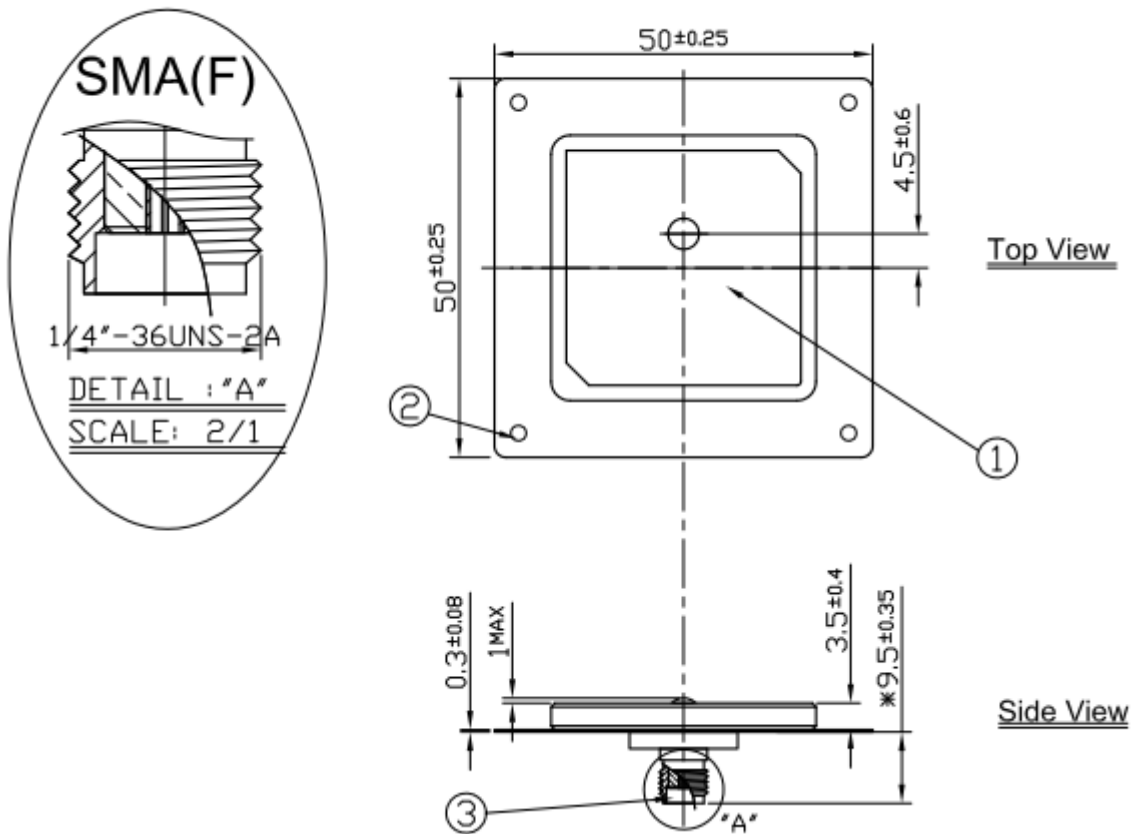
5.1. Adhesive Thickness



6. PCB Footprint Recommendation



7. Evaluation Board CGGPD.35.A (Unit: mm)



	Name	Material	Finish	QTY
1	CGGP.35 Patch 35x35	Ceramic	Clear	1
2	Ground-Plane(50x50x0.3mm)	Brass	Silver	1
3	SMA(F) ST	Brass	Gold	1

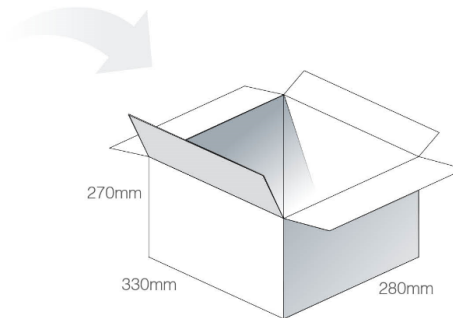
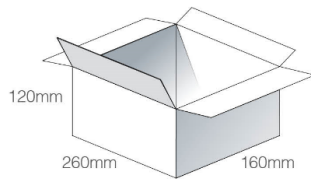
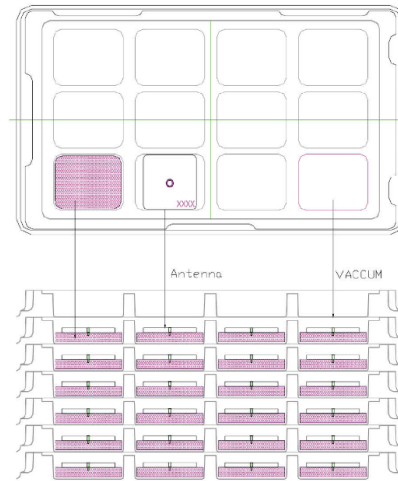
8. Packaging

CGGP.35.3.A.02

Packaging Specifications

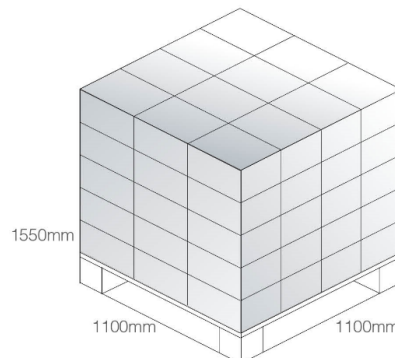
12 Pieces CGGP.35 per tray
 Dimensions - Diameter 250*150*20mm
 Weight - 220g

6 Trays per Small Carton
 72 Pieces CGGP.35 Carton
 Dimensions - 260*160*120
 Weight - 1.37Kg



4 Small Cartons per 1 Large Carton
 288 Pieces CGGP.35 per Large Carton
 Carton Dimensions - 330*280*270
 Weight - 6Kg

Pallet Dimensions 1100*1100*1550mm
 60 Cartons per Pallet
 12 Cartons per layer
 5 Layers



Taoglas makes no warranties based on the accuracy or completeness of the contents of this document and reserves the right to make changes to specifications and product descriptions at any time without notice. Taoglas reserves all rights to this document and the information contained herein.

Reproduction, use or disclosure to third parties without express permission is strictly prohibited.

Copyright © Taoglas Ltd.