

EL • ELE

Dust Proof

FUJISOKU SWITCHES



Miniature Rocker Switches

RoHS Compliant

Introduction

All of the **EL** Miniature Rocker Switch models that conform to the Electrical Appliances and Material Safety Act have acquired the type approval. The housing is made of self-extinguishing phenol resin (**UL94V-0**), which has excellent heat resistance, arc resistance, and tracking resistance performance. In addition, the switches are designed to prevent insulation deterioration caused by arcing thanks to the contact structure where chattering and bouncing time is reduced as much as possible. Furthermore, the **ELE** type, which features the dustproof structure, is best suited for use in a dusty environment.

Part Numbering

E **LE** **1** **25** **A** **12** - **Z**

Series code Actuator shape No. of poles Current Switching function Terminal style

Code	Structure
L	Non-dust-proof
LE	Dust proof type

Fig.	AC125V
10	10A
15	15A
20	20A
25	25A

Code		Switching function	
1-pole	2-pole		
A	K	ON - OFF	
D	N	ON - ON	
E	P	ON - OFF - ON	
F	R	ON - (ON)	
G	S	(ON) - OFF - (ON)	
H	T	ON - OFF - (ON)	

Fig.	Terminal style
None	TAB#250 (t=0.8)
12	Solder Terminal

Note: For some products, the part numbers according to the above-stated combinations are not registered yet. Check the Table of Part Numbers on page 336 for availability.

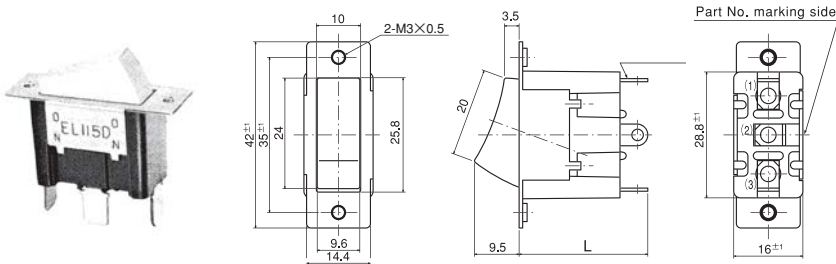
Terminal Styles

Terminal style	TAB#250 (No. : -)	Solder Terminal (No. : 12)
Dimensions		

EL110· 115

1 pole

Terminal numbers are shown on the bottom of the switch.



The switching function Type "A" is without terminal number (2).

Specifications

Rating		Initial contact resistance	Dielectric strength	Insulation resistance	Electrical life
EL115A·D	AC125V 15A AC250V 15A	20mΩ Max. (DC2~4V 0.1A)	AC1500V minute	100MΩ Min. (DC500V)	20,000 cycles
EL115E	AC125V 15A AC250V 7A				
EL110G	AC125V 10A AC250V 6A				

Dimension L

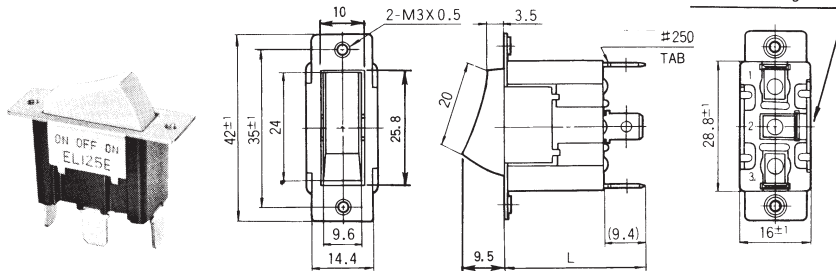
Terminal style	TAB	Solder Terminal
Part No.		
EL115A·D·E-Z	31.4±1	28.3±1
EL110G-Z		

Switching function	Viewed from part No. marking side		
Part No.			
★ EL115A-Z ★ EL115A12-Z	ON	—	OFF
Connecting terminals	1-3	2-1	—
★ EL115D-Z ★ EL115D12-Z	ON	—	ON
★ EL115E-Z ★ EL115E12-Z	ON	OFF	ON
★ EL110G-Z	(ON)	OFF	(ON)
Connecting terminals	2-3	—	2-1

EL120· 125

1 pole

Terminal numbers are shown on the bottom of the switch.



The switching function Type "A" is without terminal number (2).

Specifications

Rating		Initial contact resistance	Dielectric strength	Insulation resistance	Electrical life
EL125A·D	AC125V 25A AC250V 25A	20mΩ Max. (DC2~4V 0.1A)	AC1500V minute	100MΩ Min. (DC500V)	20,000 cycles
EL125E	AC125V 25A AC250V 12A				
EL120G	AC125V 20A AC250V 12A				

Dimension L

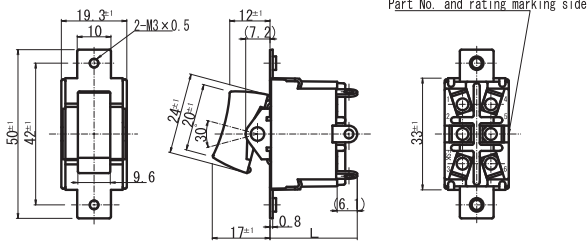
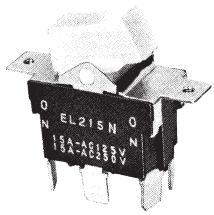
Terminal style	TAB	Solder Terminal
Part No.		
EL125A·D·E-Z	31.4±1	28.3±1
EL120G-Z		28.7±1

Switching function	Viewed from part No. marking side		
Part No.			
★ EL125A-Z ★ EL125A12-Z	ON	—	OFF
Connecting terminals	1-3	—	—
★ EL125D-Z ★ EL125D12-Z	ON	—	ON
★ EL125E-Z	ON	OFF	ON
▲ EL120G-Z	(ON)	OFF	(ON)
Connecting terminals	2-3	—	2-1

EL210· 215

2 poles

Terminal numbers are shown on the bottom of the switch.



The switching function Type "K" is without terminal numbers (2) and (5).

Specifications

Rating		Initial contact resistance	Dielectric strength	Insulation resistance	Electrical life
EL215K·N	AC125V 15A AC250V 15A	20mΩ Max. (DC2~4V 1A)	AC1500V minute	100MΩ Min. (DC500V)	20,000 cycles
EL215P	AC125V 15A AC250V 7A				
EL210R	AC125V 10A AC250V 6A				

Dimension L

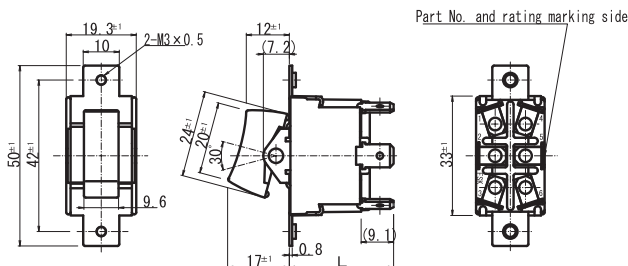
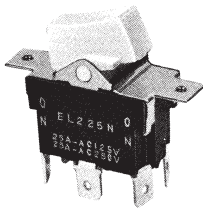
Terminal style	TAB	Solder Terminal
Part No.		
EL215K·N-Z	28.9±1	26.0±1
EL215P-Z		
EL210R-Z		

Switching function	Viewed from part No. and rating marking side		
Part No.			
★ EL215K-Z ★ EL215K12-Z	ON	—	OFF
Connecting terminals	1-3 4-6	—	—
★ EL215N-Z ★ EL215N12-Z	ON	—	ON
★ EL215P-Z ★ EL215P12-Z	ON	OFF	ON
★ EL210R-Z	ON	—	(ON)
Connecting terminals	2-3 5-6	—	2-1 5-4

EL225

2 poles

Terminal numbers are shown on the bottom of the switch.



The switching function Type "K" is without terminal numbers (2) and (5).

Specifications

Rating		Initial contact resistance	Dielectric strength	Insulation resistance	Electrical life
EL225K·N	AC125V 25A AC250V 25A	20mΩ Max. (DC2~4V 0.1A)	AC1500V minute	100MΩ Min. (DC500V)	20,000 cycles
EL225P	AC125V 25A AC250V 12A				

Dimension L

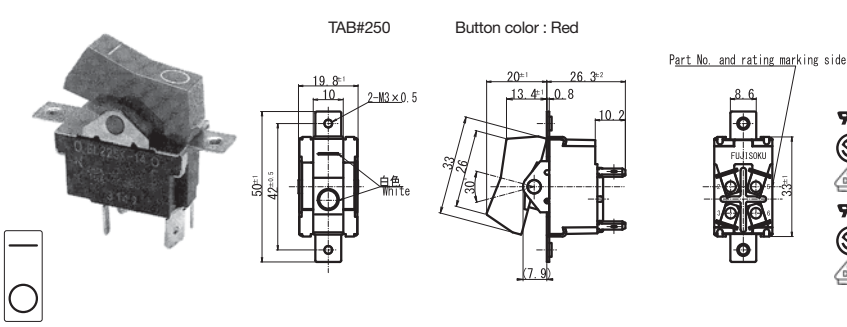
Terminal style	TAB	Solder Terminal
Part No.		
EL225K·N-Z	28.9±1	26.0±1
EL225P-Z		26.3±1

Switching function	Viewed from part No. and rating marking side		
Part No.			
★ EL225K-Z ★ EL225K12-Z	ON	—	OFF
Connecting terminals	1-3 4-6	—	—
★ EL225N-Z ★ EL225N12-Z	ON	—	ON
★ EL225P-Z	ON	OFF	ON
Connecting terminals	2-3 5-6	—	2-1 5-4

EL225K-14

DPST

Terminal numbers are shown on the bottom of the switch.



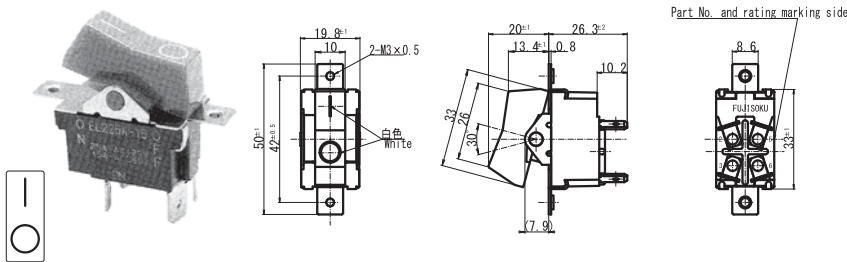
Switching function	Viewed from part No. and rating marking side		
Part No.	★EL225K-14-Z	—	OFF
Connecting terminals	2-3 5-6	—	—
Part No.	★EL225K-15-Z	—	OFF
Connecting terminals	2-3 5-6	—	—

Rating : 10A-125 · 250 · 277VAC
 Rating : 10A-125 · 250VAC

EL225K-15

TAB#250

Button color : Red



The **UL** and the **CSA** marks are indicated on the housing. The **VDE** mark is not indicated. If the mark is required, contact us. Additional marking cost is necessary.

UL File No.E43275
CSA File No.LR38341
VDE License No.95705

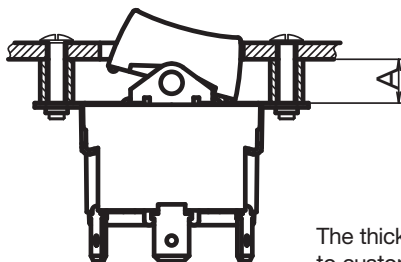
Specifications

Rating	Initial contact resistance	Dielectric strength	Insulation resistance	Electrical life
EL225K-14 AC125V 25A	20mΩ Max.	AC1500V	100MΩ Min.	20,000 cycles
EL225K-15 AC250V 15A	(DC2~4V 0.1A)	1分間/minute	(DC500V)	

Panel Cut-Out Dimensions

Series	EL110 EL115 EL120 EL125	EL210 EL215 EL225	EL225K-14 EL225K-15
Dimensions			

Mounting Method



	A寸法
EL210·215·225	7.5mm MIN.
EL225K-14 EL225K-15	8.2mm MIN.

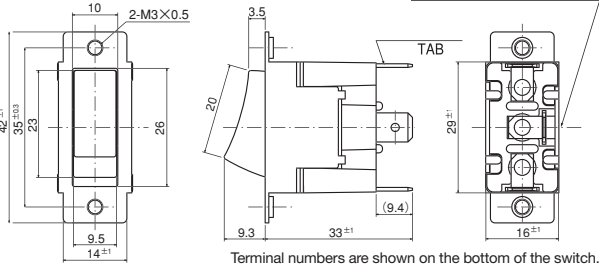
The thickness of the mounting panel should be adjusted according to customer's applications.

ELE Dustproof

ELE115

1 pole

Dust proof



Terminal numbers are shown on the bottom of the switch.

Specifications

Rating		Initial contact resistance	Dielectric strength	Insulation resistance	Electrical life
ELE115A	AC125V 15A	20mΩ Max. (DC2~4V 0.1A)	AC1500V minute	100MΩ Min. (DC500V)	20,000 cycles
ELE115D	AC250V 15A				
ELE115E	AC125V 15A AC250V 7A				

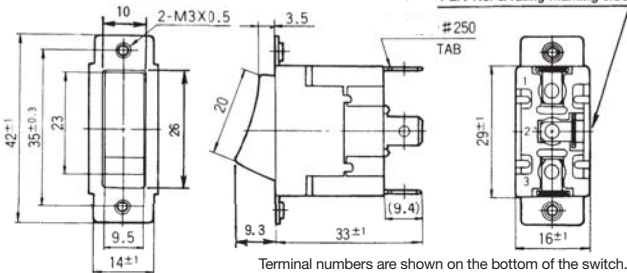
Switching function	Viewed from part No. and rating marking side		
Part No.			
★ELE115A-Z	ON	—	OFF
Connecting terminals	1-3	—	—
★ELE115D-Z	ON	—	ON
★ELE115E-Z	ON	OFF	ON
Connecting terminals	2-3	—	2-1

The switching function Type "A" is without terminal number (2).

ELE125

1 pole

Dust proof



Terminal numbers are shown on the bottom of the switch.

Specifications

Rating		Initial contact resistance	Dielectric strength	Insulation resistance	Electrical life
ELE125A	AC125V 25A	20mΩ Max. (DC2~4V 0.1A)	AC1500V minute	100MΩ Min. (DC500V)	20,000 cycles
ELE125D	AC250V 25A				
ELE125E	AC125V 25A AC250V 12A				

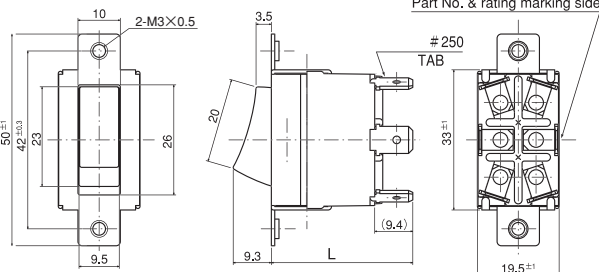
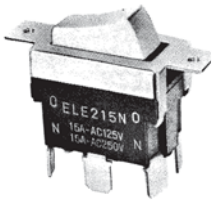
Switching function	Viewed from part No. and rating marking side		
Part No.			
★ELE125A-Z	ON	—	OFF
Connecting terminals	1-3	—	—
★ELE125D-Z	ON	—	ON
▲ELE125E-Z	ON	OFF	ON
Connecting terminals	2-3	—	2-1

The switching function Type "A" is without terminal number (2).

ELE215

2 poles

Dust proof



Terminal numbers are shown on the bottom of the switch.

Specifications

Rating		Initial contact resistance	Dielectric strength	Insulation resistance	Electrical life
ELE215K	AC125V 15A	20mΩ Max. (DC2~4V 0.1A)	AC1500V minute	100MΩ Min. (DC500V)	20,000 cycles
ELE215N	AC250V 15A				

Switching function	Viewed from part No. and rating marking side		
Part No.			
★ELE215K-Z	ON	—	OFF
▲ELE215K12-Z	ON	—	OFF
Connecting terminals	1-3 4-6	—	—
★ELE215N-Z	ON	—	ON
Connecting terminals	2-3 5-6	—	2-1 5-4

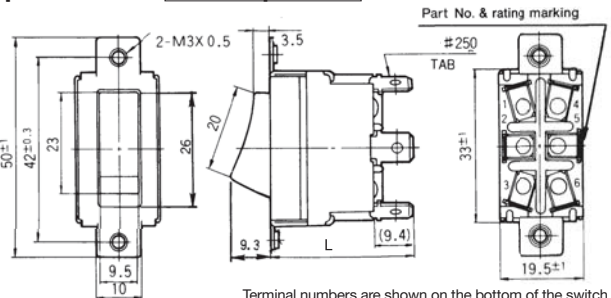
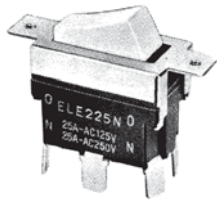
Dimension L

Terminal	TAB terminals	Solder terminals
Part Name		
ELE215	34 ± 1	31.8 ± 1
ELE225		

ELE225

2 poles

Dust proof



Terminal numbers are shown on the bottom of the switch.

Specifications

Rating		Initial contact resistance	Dielectric strength	Insulation resistance	Electrical life
ELE225K	AC125V 25A	20mΩ Max. (DC2~4V 0.1A)	AC1500V minute	100MΩ Min. (DC500V)	20,000 cycles
ELE225N	AC250V 25A				

Switching function	Viewed from part No. and rating marking side		
Part No.			
★ELE225K-Z	ON	—	OFF
★ELE225K12-Z	ON	—	OFF
Connecting terminals	1-3 4-6	—	—
★ELE225N-Z	ON	—	ON
★ELE225N12-Z	ON	—	ON
Connecting terminals	2-3 5-6	—	2-1 5-4

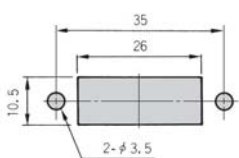
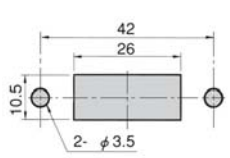
The switching function Type "K" is without terminal numbers (2) and (5).

★ : Made to order products. ▲ : Inquiry products.

Table of Part Numbers

Terminal style	Switching function	1-Pole				2-Poles		
		10A	15A	20A	25A	10A	15A	25A
Solder Terminal	ON-OFF	-	★EL115A12-Z	-	★EL125A12-Z	-	▲EL215K12-Z	★EL225K12-Z
		-	-	-	-	-	★ELE215K12-Z	★ELE225K12-Z
	ON-ON	-	★EL115D12-Z	-	★EL125D12-Z	-	★EL215N12-Z	★EL225N12-Z
		-	-	-	-	-	-	★ELE225N12-Z
ON-OFF-ON	-	★EL115E12-Z	-	-	-	★EL215P12-Z	-	
TAB#250	ON-OFF	-	★EL115A-Z	-	★EL125A-Z	-	★EL215K-Z	★EL225K-Z
		-	★ELE115A-Z	-	★ELE125A-Z	-	★ELE215K-Z	★EL225K-14-Z
		-	-	-	-	-	-	★EL225K-15-Z
		-	-	-	-	-	-	★ELE225K-Z
	ON-ON	-	★EL115D-Z	-	★EL125D-Z	-	★EL215N-Z	★EL225N-Z
		-	★ELE115D-Z	-	★ELE125D-Z	-	★ELE215N-Z	★ELE225N-Z
	ON-OFF-ON	-	★EL115E-Z	-	▲EL125E-Z	-	★EL215P-Z	★EL225P-Z
		-	★ELE115E-Z	-	▲ELE125E-Z	-	-	-
	ON-(ON)	-	-	-	-	★EL210R-Z	-	-
	(ON)-OFF-(ON)	★EL120G-Z	-	▲EL120G-Z	-	-	-	-
ON-OFF-(ON)	-	-	-	-	-	-	-	

Panel Cut-Out Dimensions

Series	ELE115 ELE125	ELE215 ELE225
Dimensions		
Panel thickness	3.5 mm Max.	3.5 mm Max.

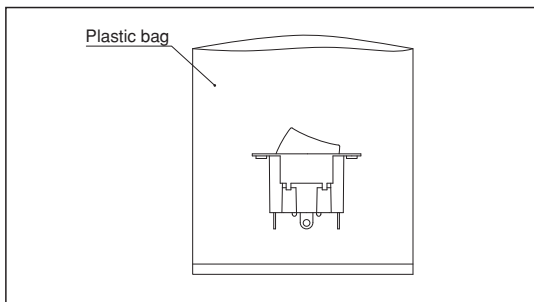
Flux Cleaning

For the solvent, use the fluorine-based or alcohol-based solvent.
Solvent: Fluorine or Alcohol type

Soldering Specifications

Device : Soldering iron
420°C, Max.; 3 seconds, Max.

Packaging Specification



★ : Made to order products. ▲ : Inquiry products.