



actual size

Quartz Crystal · JTX110

SMD Tuning Fork Crystal · 1.6 x 1.0 mm

- 32.768 kHz
- reflow soldering temperature: 260 °C max.
- package height 0.5 mm max.



General Data

type	JTX110
frequency	32.768 kHz
frequency tolerance at 25 °C ± 5 °C	± 20 ppm
load capacitance C_L	12.5 pF std. / 9.0 pF / 10 pF
temperature constant (T_C)	$T_C = -0.04 \cdot 10^{-6} / ^\circ C^2$ max. $T_C = -0.034 \cdot 10^{-6} / ^\circ C^2$ typical
frequency temperature characteristic	f (ppm) = $T_C \cdot (T_{TP} - T_A)^2$ $T_{TP} = 25 \text{ }^\circ C \pm 5 \text{ }^\circ C$ $T_A =$ actual ambient temperature
operating temperature range	-20 °C ~ +70 °C / -40 °C ~ +85 °C
shunt capacitance C_0	1.3 pF typical
series resistance max. (ESR)	90 k Ω
storage temperature	-40 °C ~ +85 °C
drive level max.	0.5 μ W
aging first year	< ± 3 ppm

Frequency Stability vs. Temperature

		- 80 ppm	- 160 ppm	
-20 °C ~ +70 °C	STD.	●		
-40 °C ~ +85 °C	T1		●	
● standard				

Marking

D / A / datecode

D = factory code

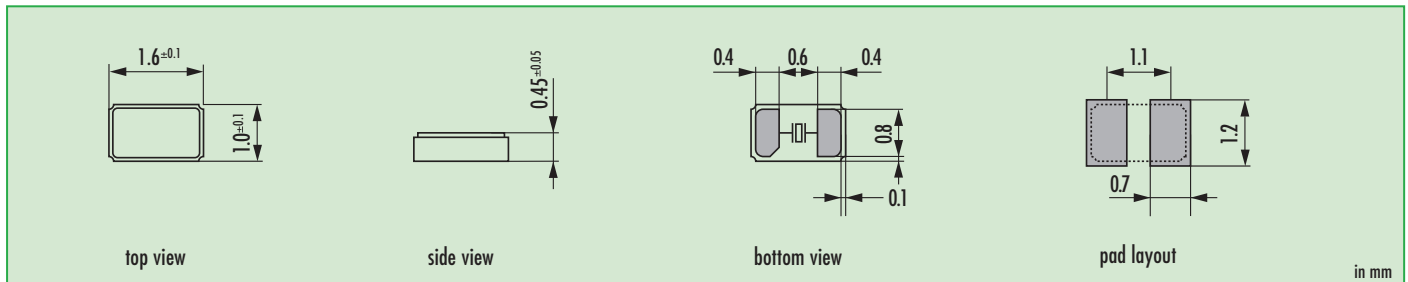
A = frequency code = 32.768 kHz

date code = YWW

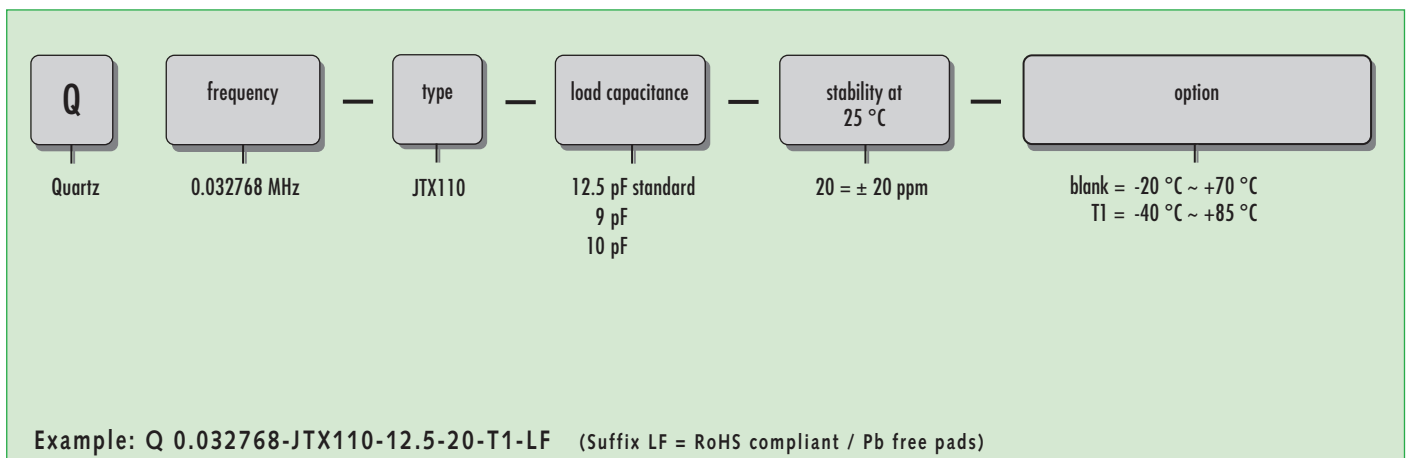
Y = year

WW = week

Dimensions

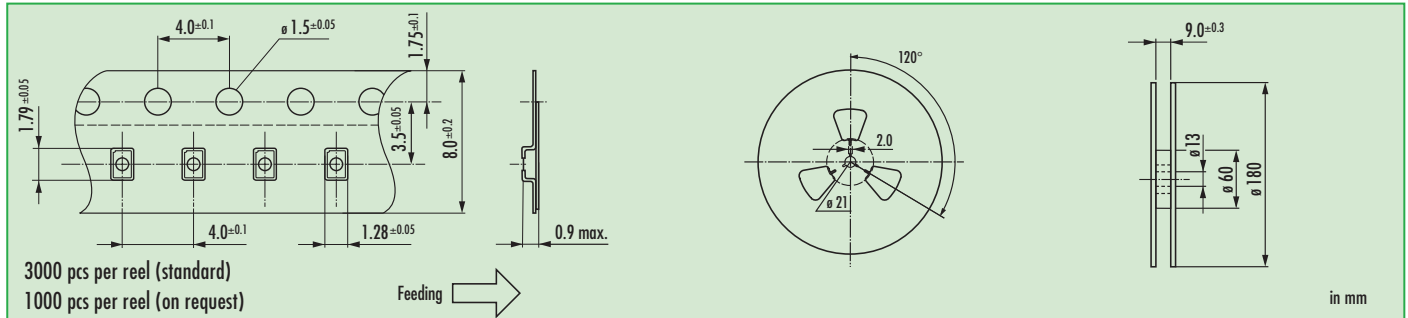


Order Information



Quartz Crystal · JTX110

Taping Specification



Reflow Soldering Profile

