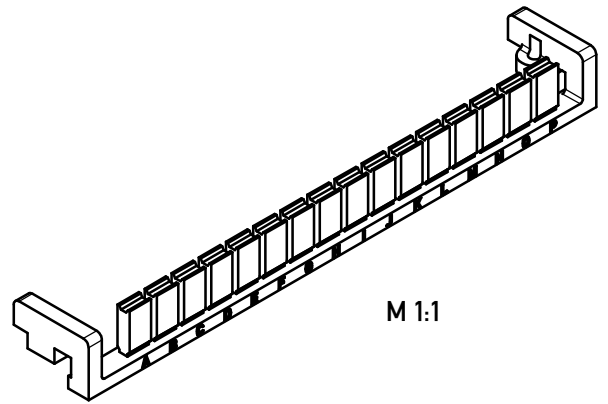
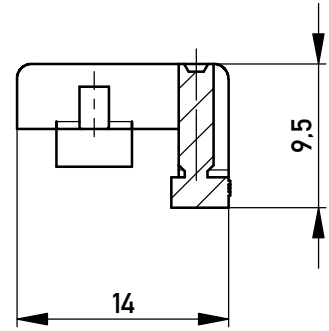
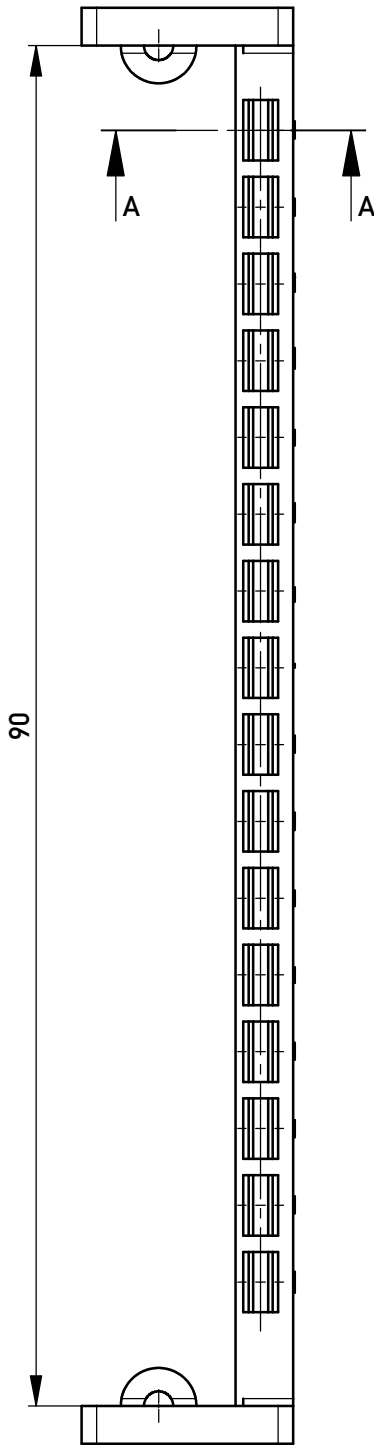
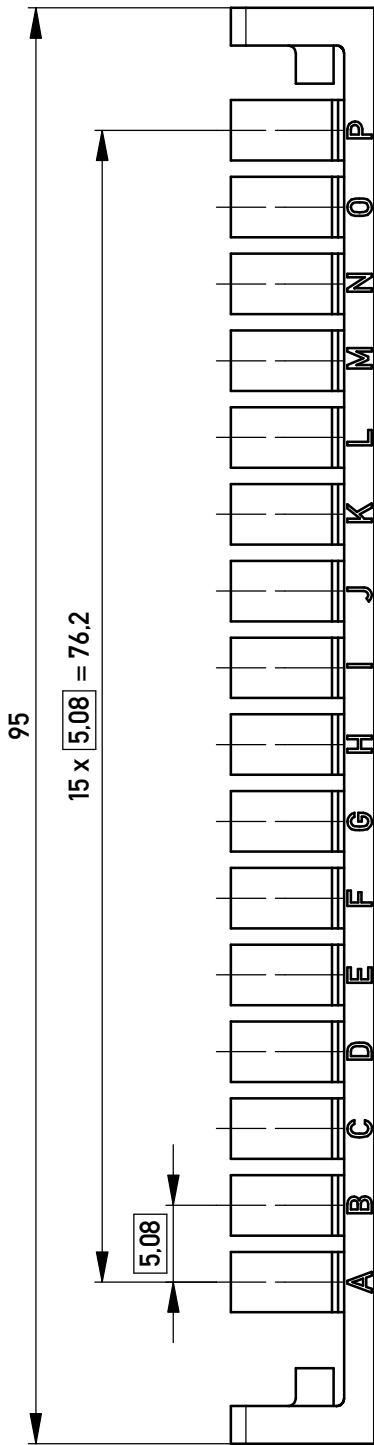
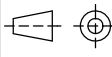





SCHNITT A-A  
MAßSTAB 2 : 1



M 1:1

Copyright by ERNI Production GmbH & Co. KG  
Proprietary notice pursuant to ISO 16016 to be observed.

|  |            |  |   |                          |        |
|--|------------|--|---|--------------------------|--------|
| Information:   |            | Tolerances   |  | Scale                    | 2:1    |
| All rights reserved.<br>Only for Information.<br>To ensure that this is the latest version of this drawing, please contact one of the ERNI companies before using. |            | ±0,1   | All Dimensions<br>in mm   | Material: PBT GF 30 grau |        |
| Subject to modification without prior notice.<br>Drawing will not be updated.  |            |  <a href="http://www.ERNI.com">www.ERNI.com</a> |   | Designation              |        |
|  <a href="http://www.ERNI.com">www.ERNI.com</a>                                 |            |  |   | Codierleiste FL          |        |
| c  | 20.05.2014 |  <a href="http://www.ERNI.com">www.ERNI.com</a> |   | 100603210040             |        |
| Index  | Date       |  |   | Class                    | CODEZT |