

KR Electronics, Inc.

General Description

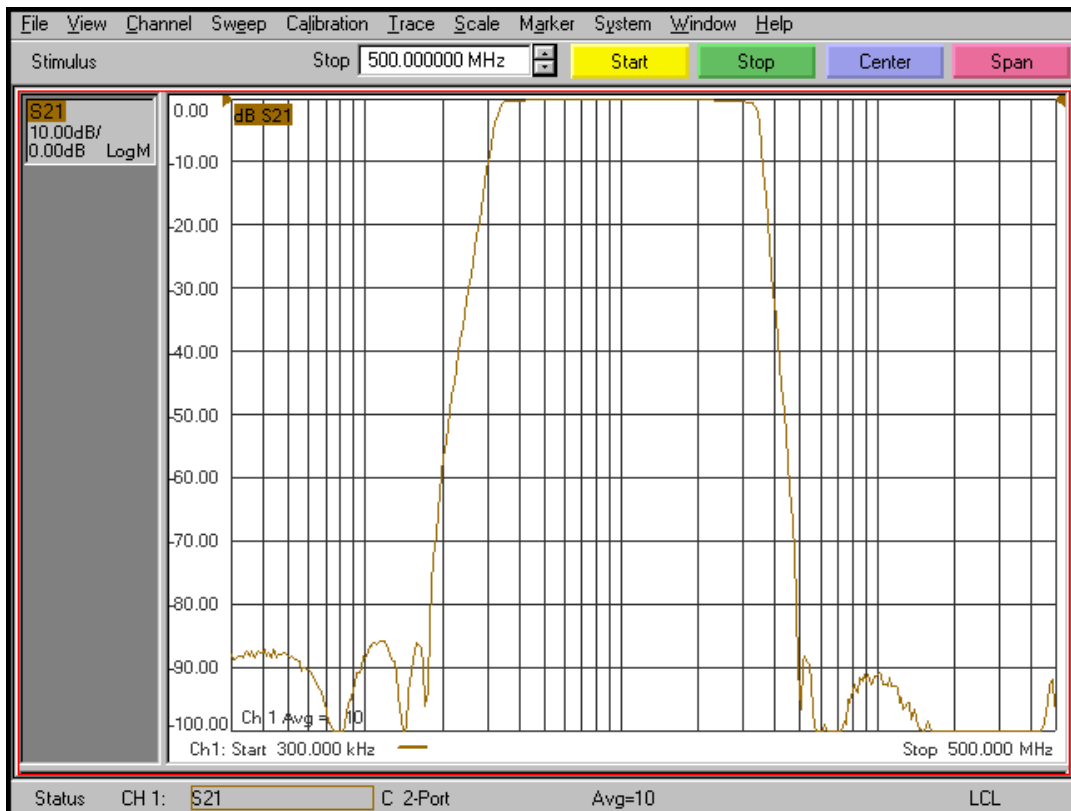
KR Electronics part number 3131-17.5 is a 17.5 MHz bandpass filter. The filter has a minimum 1 dB bandwidth of 28 MHz. Other center frequencies and bandwidths available. Please consult the factory.

Features

- 17.5 MHz Center Frequency
- 28 MHz min 1 dB Bandwidth
- Sharp Transition to Stopband
- High Stopband Rejection >80 dB
- 50 Ω Source and Load
- SMA Connectors

Typical Performance

Overall Response (10 dB/div)

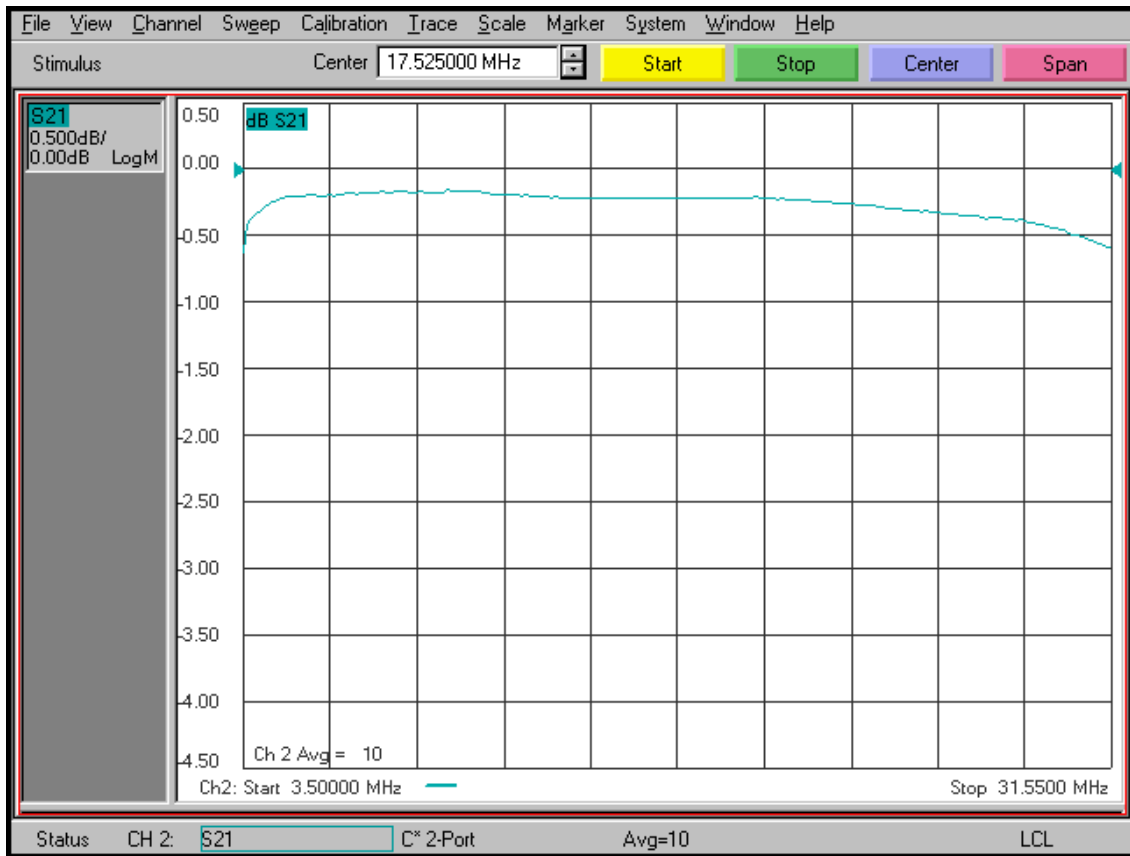


KR Electronics, Inc.
91 Avenel Street
Avenel, NJ 07001

Web www.krfilters.com
Email sales@krfilters.com
Phone (732) 636-1900
Fax (732) 636-1982

Typical Performance

Passband Amplitude
0.5 dB/div



KR Electronics 3131-17.5

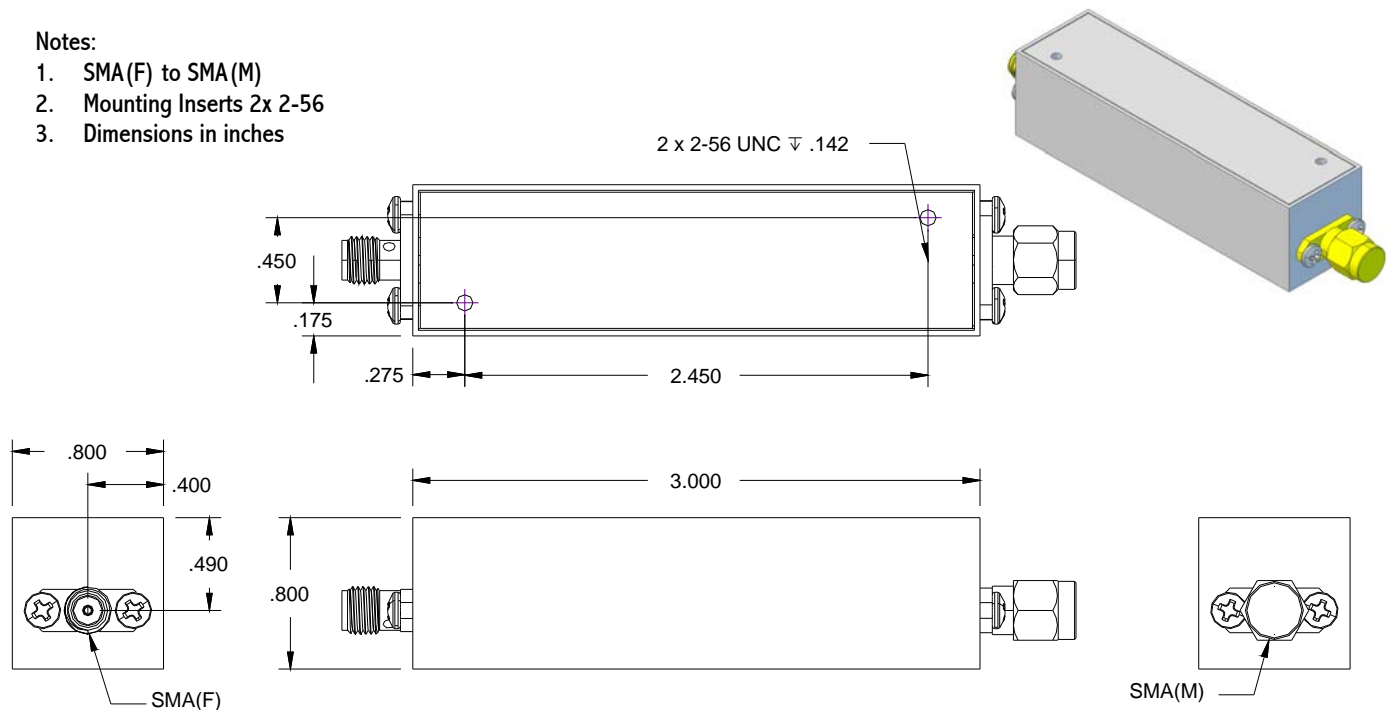
Specifications

Parameter	Specification	Notes
Filter type	Bandpass	
Center Frequency	17.5 MHz	
Insertion Loss	1 dB max	<0.5 dB typical
1 dB Bandwidth	28 MHz min	3.5 MHz to 31.55 MHz
3 dB Bandwidth	31 MHz typical	
40 dB Bandwidth	22 MHz typical	
Rejection at 1.7 MHz	80 dB min	
Rejection at 50.5 MHz	80 dB min	
Source and Load	50 Ω	

Physical Dimensions

Notes:

1. SMA(F) to SMA(M)
2. Mounting Inserts 2x 2-56
3. Dimensions in inches



KR Electronics, Inc.
91 Avenel Street
Avenel, NJ 07001

Web www.krfilters.com
Email sales@krfilters.com
Phone (732) 636-1900
Fax (732) 636-1982