

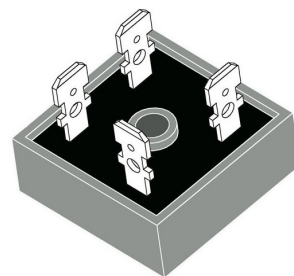
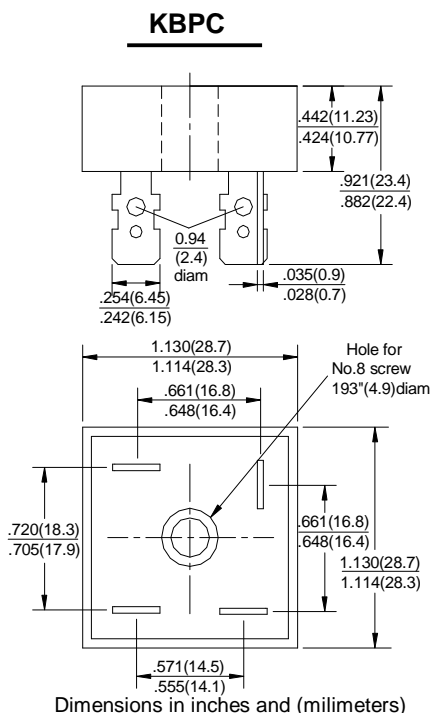
VOLTAGE RANGE: 50 - 1000V
CURRENT: 10.0 A

Features

- Diffused Junction
- Low Reverse Leakage Current
- Low Power Loss, High Efficiency
- Electrically Isolated Metal Case for Maximum Heat Dissipation
- Case to Terminal Isolation Voltage 2500V

Mechanical Data

- Case: Metal Case with Electrically Isolated Epoxy
- Terminals: Plated Leads Solderable per MIL-STD-202, Method 208
- Polarity: Symbols Marked on Case
- Mounting: Through Hole for #10 Screw
- Weight: KBPC 31.6 grams (approx.)
- Marking: Type Number



Maximum Ratings and Electrical Characteristics T_A = 25°C unless otherwise specified

Single phase, half wave, 60Hz, resistive or inductive load. For capacitive load, derate current by 20%.

Characteristic	Symbol	KBPC 10005	KBPC 1001	KBPC 1002	KBPC 1004	KBPC 1006	KBPC 1008	KBPC 1010	Unit
Maximum recurrent peak reverse voltage	V _{RRM}	50	100	200	400	600	800	1000	V
Maximum RMS voltage	V _{RMS}	35	70	140	280	420	560	700	V
Maximum DC blocking voltage	V _{DC}	50	100	200	400	600	800	1000	V
Maximum average forward Output current @T _A =50°C	I _{F(AV)}	10.0							A
Peak forward surge current 8.3ms single half-sine-wave superimposed on rated load	I _{FSM}	150.0							A
Maximum instantaneous forward voltage @ 5.0 A	V _F	1.1							V
Maximum reverse current @T _A =25°C at rated DC blocking voltage @T _A =100°C	I _R	10.0 1.0							μA mA
Operating junction temperature range	T _J	- 55 ---- + 125							°C
Storage temperature range	T _{STG}	- 55 ---- + 150							°C



FIG.1 – PEAK FORWARD SURGE CURRENT

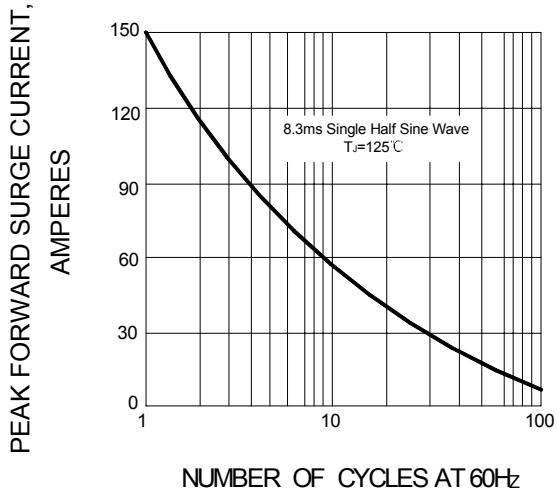


FIG.2 – FORWARD DERATING CURVE

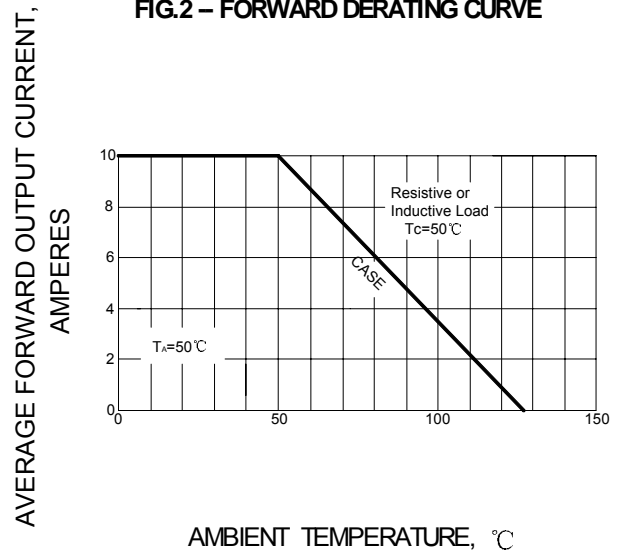


FIG.3 – TYPICAL FORWARD CHARACTERISTIC

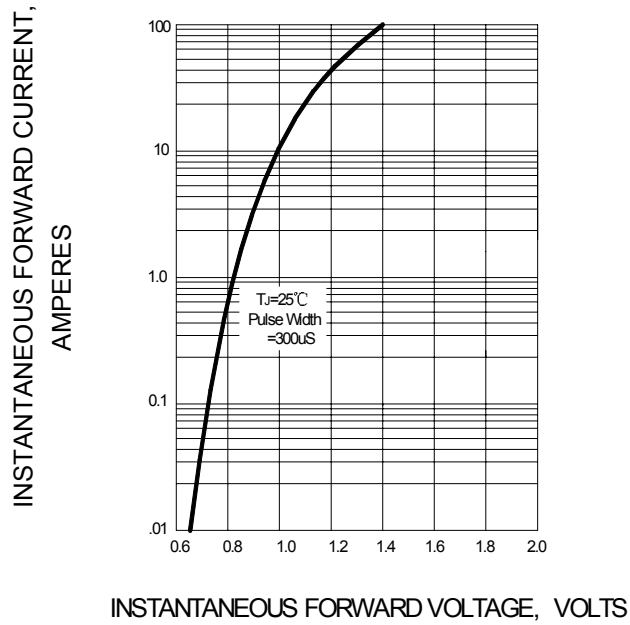


FIG.4 – TYPICAL REVERSE CHARACTERISTIC

