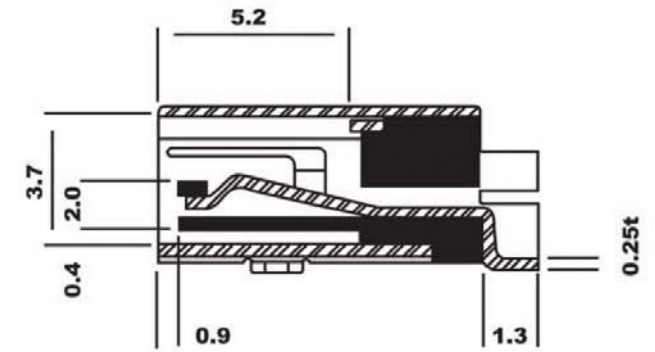
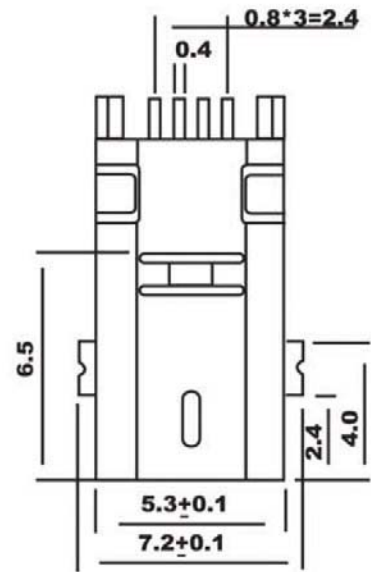
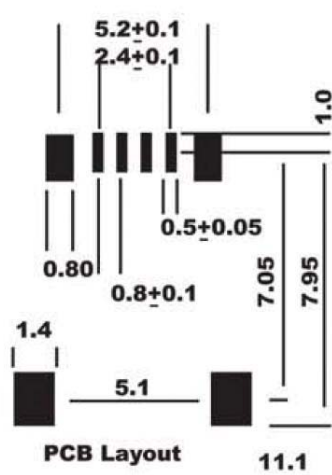


A
B
C
D
E
F
G
H

A
B
C
D
E
F
G
H



Electrical Characteristics
 Contact Current Rating: 1 Amperes
 Dielectric Withstanding Voltage: AC 500V R.M.S.
 Insulation Resistance: 500 Megohms Minimum at DC 500V
 Contact Resistance: 30 Milliohms Maximum.
 Operating Temperature: -55°C to 105°C

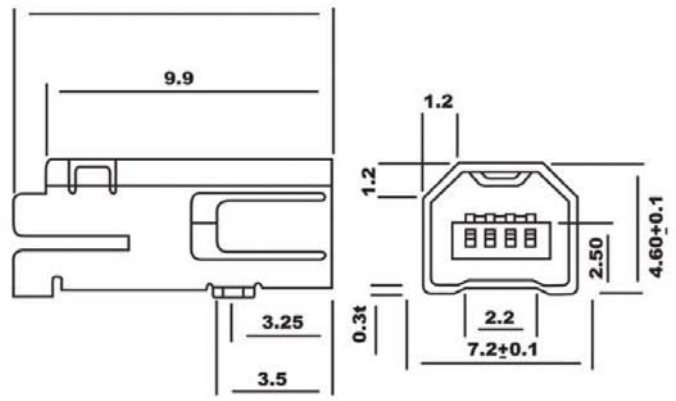
Mechanical Characteristics
 Contact Insertion Force: KG Maximum
 Contact Separation Force: KG Minimum

Materials:
 Contacts: Phosphor Bronze
 Insulator: Nylon 45 UL 94-VO
 Shell: Phosphor Bronze

Finishes:
 Contact: Gold Flashed 10u", 15u", 20u", 30u"
 Shell: Pb-Sn Plated

1.Series No.
2.Type:Z=Mini USB (SMT)
3.Contact Number: 04
4.Contact Type:F=Female
5.Contact Area Plating:S=Selective Gold
 B=10u" gold(selective)
 C=15u" gold(selective)
 2=20u" gold(selective)
 D=30u" gold(selective)

6.Type Option:B=B Type
7.DWG. No



Scale	1:1						Name	Item No.
TOLERANCE							Chappell	A-USBB-M4-M-R (Version 1.1, 5μ") A-USBB/2-M4-M-R (Version 2.0, 30μ")
X.X	±0.40					Drawn	10.19.11	
X.XX	±0.25					Approved		
X.XXX	±0.15							Title USB, Version B-Mini, 5-Poles, Top Entry, Black
Angle	±3°							Drawing No.
								rev00
								Replace
								Sheet
			Modification	Date	Name			