

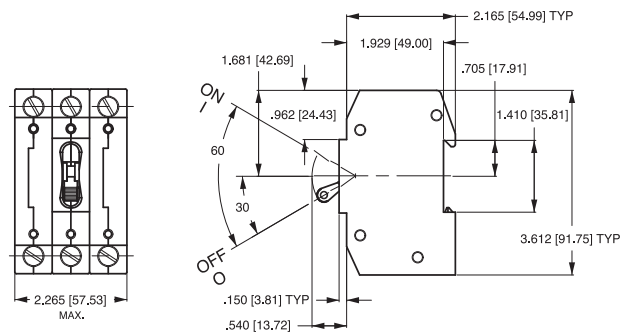
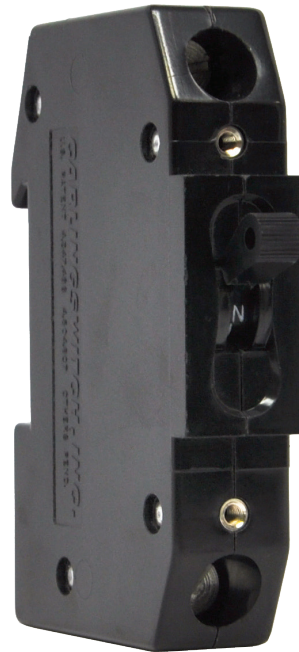
# D-Series Circuit Breaker

Designed for snap-on-back panel rail mounting on either a 35mm x 7.5mm, or a 35mm x 15mm Symmetrical Din Rail, allowing rapid and simple mounting and removal of the breaker. It features recessed, wire-ready, touch-proof, shock-resistant terminals, suitable for automatic screwdriver assembly, as well as "Dead Front" construction characteristics.

Available with a Visi-Rocker two-color actuator, which can be specified to indicate either the ON or the TRIPPED/OFF mode, or solid color rocker or handle type actuators. All actuator types fit in the same industry standard panel cutouts.

## Features:

- ♦ 0.02 - 50 Amps
- ♦ 480 VAC or 65 VDC
- ♦ 1-4 poles (Handle)
- ♦ 1-3 poles (Rocker)
- ♦ Choice of Time Delays
- ♦ DIN rail mounting
- ♦ Precise temperature independent operation
- ♦ Wiping contacts – mechanical linkage with two-step
- ♦ Finger safe terminals
- ♦ Common trip linkage between poles – ensures that an overload in one pole will trip all adjacent poles



## Notes:

- 1 All dimensions are in inches [millimeters].
- 2 Tolerance  $\pm 0.020$  [.51] unless otherwise specified.



**Carling Technologies™**  
Innovative Designs. Powerful Solutions.

## Electrical

Maximum Voltage	AC, 480 wye/277 VAC (See Table A), 50/60 Hz, 65VDC
Standard Current Coils	0.100, 0.250, 0.500, 0.750, 1.00, 2.50, 5.00, 7.50, 10.0, 15.0, 20.0, 25.0, 30.0, 35.0, 40.0 & 50.0. Other ratings available - consult factory.
Standard Voltage Coils	DC - 6V, 12V; AC - 120V, other ratings available, see ordering scheme.
Insulation Resistance	Minimum of 100 Megohms at 500 VDC.
Dielectric Strength	UL, CSA: 1960 V 50/60 Hz for one minute between all electrically isolated terminals. D-Series circuit breakers comply with the 8mm spacing and 3750V 50/60 Hz dielectric requirements from hazardous voltage to operator accessible surfaces and between adjacent poles per Publications EN 60950 and VDE 0805.
Resistance, Impedance	Values from Line to Load Terminal - based on Series Trip Circuit Breaker

## Mechanical

Endurance	10,000 ON-OFF operations @ 6 per minute; with rated Current and Voltage.
Trip Free	All D-Series Circuit Breakers will trip on overload, even when actuator is forcibly held in the ON position.
Trip Indication	The operating actuator moves positively to the OFF position when an overload causes the breaker to trip.

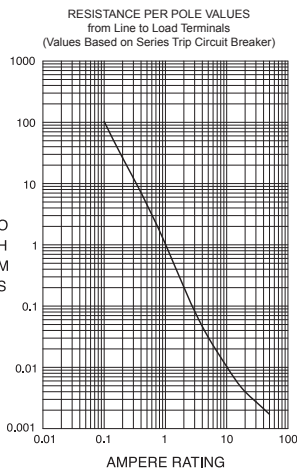
## Physical

Number of Poles	Rocker Type: 1-3; Handle Type: 1-4
Internal Circuit Config.	Switch Only and Series Trip with current or voltage trip coils.
Weight	Approximately 128 grams/pole (Approximately 4.57 ounces/pole)
Standard Colors	Housing - Black; Actuator - See Ordering Scheme.
Mounting	Mounts on a standard 35mm Symmetrical DIN Rail (35 x 7.5 or 35 x 15mm per DIN EN5002).

## Environmental

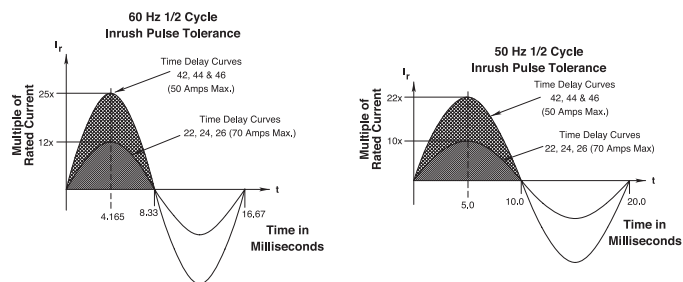
Designed and tested in accordance with requirements of specification MIL-PRF-55629 & MIL-STD-202 as follows:

Shock	Withstands 100 Gs, 6ms, sawtooth while carrying rated current per Method 213, Test Condition "I". Instantaneous and ultra-short curves tested @ 90% of rated current.
Vibration	Withstands 0.060" excursion from 10-55 Hz, and 10 Gs 55-500 Hz, at rated current per Method 204C, Test Condition A. Instantaneous and ultra-short curves tested at 90% of rated current.
Moisture Resistance	Method 106D, i.e., ten 24-hour cycles @ + 25°C to +65°C, 80-98% RH.
Salt Spray	Method 101, Condition A (90-95% RH @ 5% NaCl Solution, 96 hrs).
Thermal Shock	Method 107D, Condition A (Five cycles @ -55°C to +25°C to +85°C to +25°C).
Operating Temperature	-40° C to +85° C



CURRENT (AMPS)	TOLERANCE (%)
0.10 - 5.0	15%
5.1 - 20.0	25%
20.1 - 50.0	35%

Pulse Tolerance Curves



\*Manufacturer reserves the right to change product specification without prior notice.

## Electrical Tables

**Table A:** Lists UL Recognized, CSA Accepted and VDE Certified configurations and performance capabilities as a Component Supplementary Protector.

D-SERIES TABLE A: COMPONENT SUPPLEMENTARY PROTECTORS										
CIRCUIT CONFIGURATION	VOLTAGE			CURRENT RATING	SHORT CIRCUIT CAPACITY (AMPS)				APPLICATION CODES	
	MAX. RATING	FREQUENCY	PHASE <sup>1</sup>		UL/CSA		VDE		UL	CSA
				FULL LOAD AMPS	WITH BACKUP FUSE	WITH BACKUP FUSE	(Inc) WITH BACKUP FUSE	(Inc) WITHOUT BACKUP FUSE		
SERIES	65	DC	--	0.02 - 50	--	5,000	5,000	1,500	TC1,2, OL1, U1	TC1,2, OL1, U1
	80	DC	--	0.02 - 50	--	5,000	5,000	1,500	TC1,2, OL1, U1	TC1,2, OL1, U1
	125 / 250	50 / 60	1	0.02 - 50	--	3,000	--	--	TC1,2, OL1, U1	TC1,2, OL1, U1
	250	50 / 60	1 & 3	0.02 - 50	5,000 <sup>2</sup>	--	5,000	1,500	TC1,2, OL1, C1	TC1,2, OL1, C1
	277	50 / 60	1	0.02 - 50	5,000 <sup>2</sup>	--	--	--	TC1,2, OL1, C1	TC1,2, OL1, C1
	480 Y <sup>3</sup>	50 / 60	1 & 3	0.02 - 50	5,000 <sup>2</sup>	--	--	--	TC1,2, OL1, C1	TC1,2, OL1, C1
SWITCH ONLY	65	DC	--	0.02 - 50						
	250	50 / 60	3	0.02 - 50						
	277	50 / 60	1	0.02 - 50						
	480 Y <sup>3</sup>	50 / 60	1 & 3	0.02 - 30						

Table A Notes:

- 1 DC and 1Phase 277 V ratings are 1 or 2 poles breaking. Three phase ratings are 3 poles breaking.
- 2 Requires branch circuit backup with a UL LISTED Type K5 or RK5 fuse rated 15A minimum and no more than 4 times full load amps not to exceed 150 A for 250V rating and 125 A for 277 and 480 V ratings.
- 3 UL recognition and CSA Acceptance at 480 volts refers to 3 and 4 pole versions, used only in a 3 phase WYE connected circuit or 2 pole versions connected with 2 poles breaking 1 phase and backed up with series fusing per note 2

## Agency Certifications

### UL Recognized

UL Standard 1077



Component Recognition Program as Protectors, Supplementary (Guide QVNU2, File E75596)

### CSA Accepted



Component Supplementary Protector under Class 3215 30, File 047848 0 000  
CSA Standard C22.2 No. 235

### UL Listed

UL Standard 508



Switches, Industrial Control (Guide NRNT2, File E148683)

### VDE Certified



EN60934, VDE 0642 under File No. 10537



**1 SERIES**  
**D**

**2 ACTUATOR<sup>1</sup>**

**Handle<sup>2</sup>**

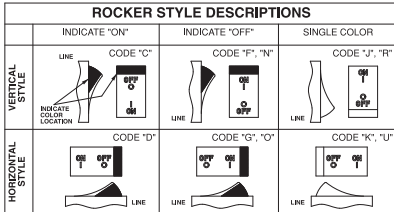
- A** Handle, one per pole
- B** Handle, one per multipole unit

**Visi-Rocker<sup>3</sup>**

- C** Indicate ON, vertical legend
- D** Indicate ON, horizontal legend
- E** Indicate ON, no legend (VDE approval not available with no legend)
- F** Indicate OFF, vertical legend
- G** Indicate OFF, horizontal legend
- H** Indicate OFF, no legend (VDE approval not available with no legend)

**Single Color Rocker<sup>3</sup>**

- J** Vertical legend
- K** Horizontal legend
- L** No legend (VDE approval not available with no legend)



**3 POLES**

- 1** One
- 2** Two
- 3** Three
- 4** Four

**4 CIRCUIT**

- A0** Switch Only (No Coil)<sup>4</sup>
- B0** Series Trip (Current)
- C0** Series Trip (Voltage)

**5 FREQUENCY & DELAY**

<b>03</b>	DC 50/60Hz, Switch Only	<b>26</b>	50/60Hz Long
<b>10<sup>5</sup></b>	DC Instantaneous	<b>32</b>	DC, 50/60Hz Short
<b>11</b>	DC Ultra Short	<b>34</b>	DC, 50/60Hz Medium
<b>12</b>	DC Short	<b>36</b>	DC, 50/60Hz Long
<b>14</b>	DC Medium	<b>42<sup>6</sup></b>	50/60Hz Short, Hi-Inrush
<b>16</b>	DC Long	<b>44<sup>6</sup></b>	50/60Hz Medium, Hi-Inrush
<b>20<sup>5</sup></b>	50/60Hz Instantaneous	<b>46<sup>6</sup></b>	50/60Hz Long, Hi-Inrush
<b>21</b>	50/60Hz Ultra Short	<b>52<sup>6</sup></b>	DC, Short, Hi-Inrush
<b>22</b>	50/60Hz Short	<b>54<sup>6</sup></b>	DC, Medium, Hi-Inrush
<b>24</b>	50/60Hz Medium	<b>56<sup>6</sup></b>	DC, Long, Hi-Inrush

Notes:

- 1 Handle breakers available up to four poles. Rocker breakers available up to three poles.
- 2 Actuator Code:
  - A: Multi-pole units factory assembled with common handle tie.
  - B: Handle location as viewed from front of breaker:
    - 2 pole - left pole
    - 3 pole - center pole
    - 4 pole - two handles at center poles
- 3 Multipole rocker breakers have one rocker per breaker, as viewed from the front of the panel. Two pole - left pole. Three pole - center pole
- 4 ≤30A, select Current Rating code 630. 31-50A, select Current Rating code 650.
- 5 Voltage coil only available with delay codes 10 & 20.
- 6 Available to 50A max with circuit code B0 only.
- 7 Color shown is visi and legend with remainder of rocker black.
- 8 ≥300V: Three pole breaker 30 or 2 pole breaker 10, UL/CSA limited to 30 FLA max.
- 9 VDE Approval requires Dual (I-O, ON-OFF) or I-O markings

**7 CURRENT RATING (AMPERES)**

CODE AMPERES

<b>020</b>	0.020	<b>280</b>	0.800	<b>460</b>	6.000	<b>619</b>	19.000
<b>025</b>	0.025	<b>285</b>	0.850	<b>465</b>	6.500	<b>620</b>	20.000
<b>030</b>	0.030	<b>410</b>	1.000	<b>470</b>	7.000	<b>621</b>	21.000
<b>050</b>	0.050	<b>512</b>	1.250	<b>572</b>	7.250	<b>622</b>	22.000
<b>075</b>	0.075	<b>413</b>	1.300	<b>475</b>	7.500	<b>623</b>	23.000
<b>080</b>	0.080	<b>414</b>	1.400	<b>480</b>	8.000	<b>624</b>	24.000
<b>085</b>	0.085	<b>415</b>	1.500	<b>485</b>	8.500	<b>625</b>	25.000
<b>210</b>	0.100	<b>517</b>	1.750	<b>490</b>	9.000	<b>626</b>	26.000
<b>215</b>	0.150	<b>420</b>	2.000	<b>495</b>	9.500	<b>627</b>	27.000
<b>220</b>	0.200	<b>522</b>	2.250	<b>610</b>	10.000	<b>628</b>	28.000
<b>225</b>	0.250	<b>425</b>	2.500	<b>710</b>	10.500	<b>629</b>	29.000
<b>230</b>	0.300	<b>527</b>	2.750	<b>611</b>	11.000	<b>630</b>	30.000
<b>235</b>	0.350	<b>430</b>	3.000	<b>711</b>	11.500	<b>632</b>	32.000
<b>240</b>	0.400	<b>532</b>	3.250	<b>612</b>	12.000	<b>635</b>	35.000
<b>245</b>	0.450	<b>435</b>	3.500	<b>712</b>	12.500	<b>640</b>	40.000
<b>250</b>	0.500	<b>436</b>	3.600	<b>613</b>	13.000	<b>645</b>	45.000
<b>255</b>	0.550	<b>440</b>	4.000	<b>614</b>	14.000	<b>650</b>	50.000
<b>260</b>	0.600	<b>445</b>	4.500	<b>615</b>	15.000		
<b>265</b>	0.650	<b>547</b>	4.750	<b>616</b>	16.000		
<b>270</b>	0.700	<b>450</b>	5.000	<b>617</b>	17.000		
<b>275</b>	0.750	<b>455</b>	5.500	<b>618</b>	18.000		

**OR VOLTAGE COIL (VOLTS, MIN. TRIP RATING)<sup>5</sup>**

<b>A06</b>	6 DC, 5 DC	<b>A48</b>	48 DC, 40 DC	<b>J24</b>	24 AC, 20 AC
<b>A12</b>	12 DC, 10 DC	<b>A65</b>	65 DC, 55 DC	<b>J48</b>	48 AC, 40 AC
<b>A18</b>	18 DC, 15 DC	<b>J06</b>	6 AC, 5 AC	<b>K20</b>	120 AC, 65 AC
<b>A24</b>	24 DC, 20 DC	<b>J12</b>	12 AC, 10 AC	<b>L40</b>	240 AC, 130 AC
<b>A32</b>	32 DC, 25 DC	<b>J18</b>	18 AC, 15 AC		

**7 TERMINAL**

- 1** #10 Screw & Pressure Plate for Direct Wire Connection
- 2** #10 Screw without Pressure Plate

**8 ACTUATOR COLOR & LEGEND**

**Actuator or**

**Visi-Color Marking:**

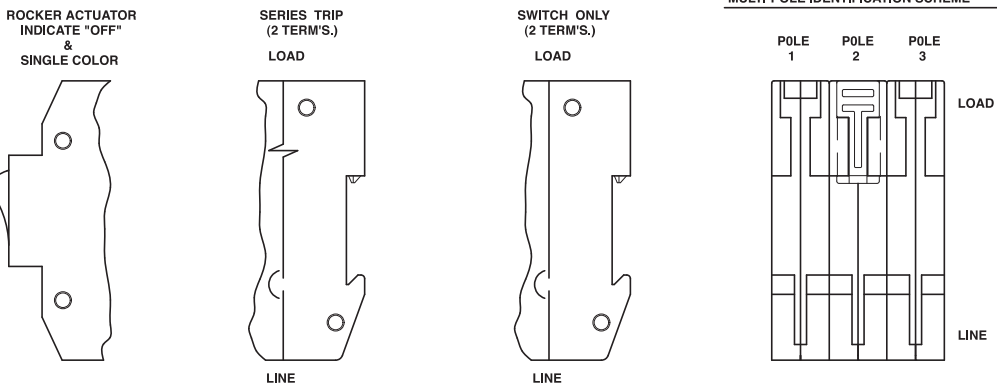
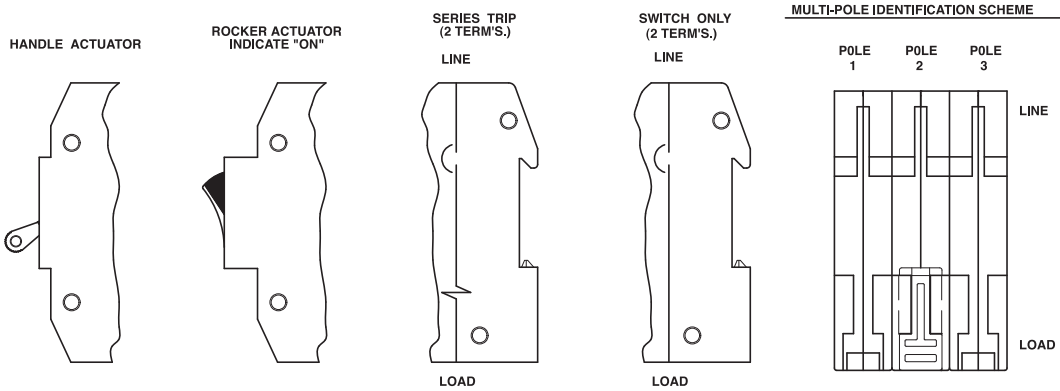
Color	I-O	ON-OFF	Dual	Marking Color: Single Color Rocker/Handle	Visi-Rocker (Actuator Black) <sup>7</sup>
White	<b>A</b>	<b>B</b>	<b>1</b>	Black	White
Black	<b>C</b>	<b>D</b>	<b>2</b>	White	N/A
Red	<b>F</b>	<b>G</b>	<b>3</b>	White	Red
Green	<b>H</b>	<b>J</b>	<b>4</b>	White	Green
Blue	<b>K</b>	<b>L</b>	<b>5</b>	White	Blue
Yellow	<b>M</b>	<b>N</b>	<b>6</b>	Black	Yellow
Gray	<b>P</b>	<b>Q</b>	<b>7</b>	Black	Gray
Orange	<b>R</b>	<b>S</b>	<b>8</b>	Black	Orange

**9 MOUNTING/VOLTAGE**

	MOUNTING STYLE	VOLTAGE
	<b>Threaded Insert</b>	
<b>1</b>	6-32 x 0.195 inches	≥ 300
<b>C<sup>8</sup></b>	6-32 X 0.195 inches	≥ 300
<b>2</b>	ISO M3 x 5mm	< 300
<b>D<sup>8</sup></b>	ISO M3 x 5mm	≥ 300

**10 AGENCY APPROVAL**

- C** UL Recognized & CSA Accepted
- D<sup>9</sup>** VDE Certified, UL Recognized & CSA Accepted



(HANDLE ACTUATOR SHOWN)

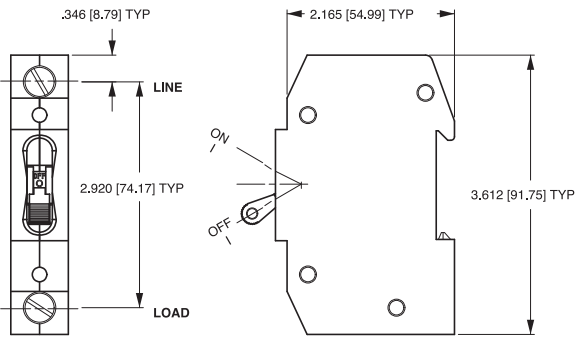
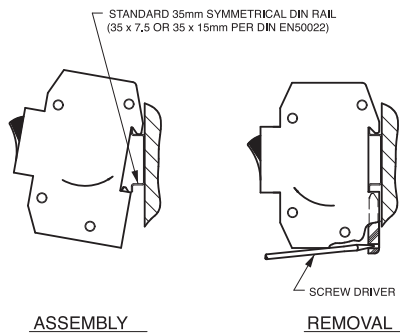
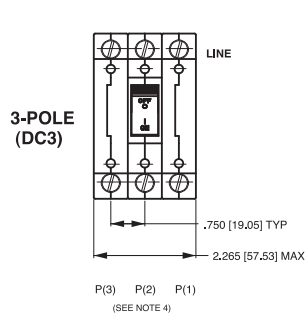
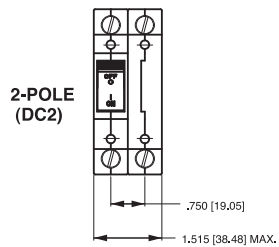
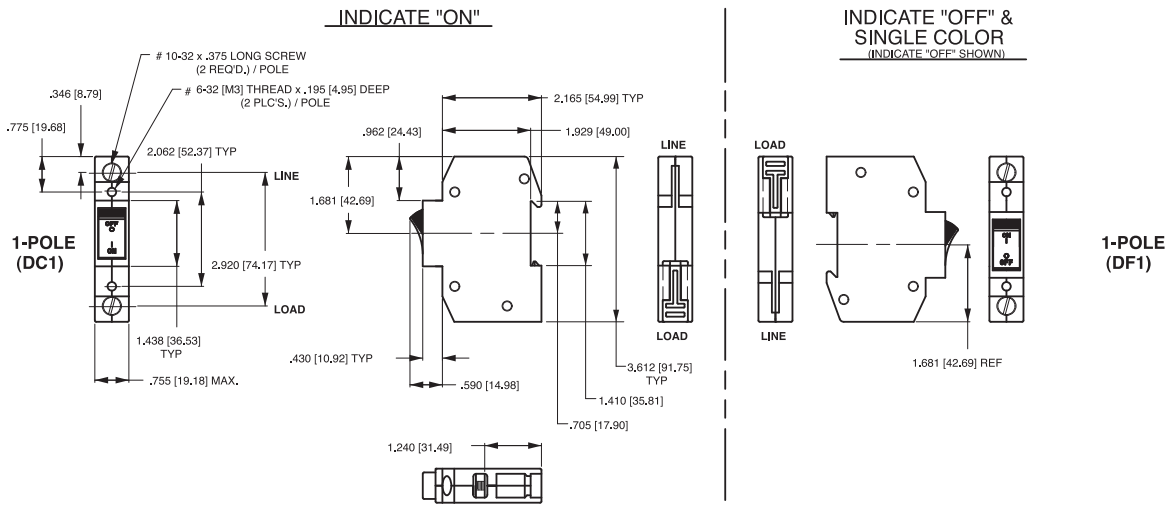


TABLE A	
TIGHTENING TORQUE SPECIFICATIONS	
THREAD SIZE	TORQUE
#6-32 [M3] HARDWARE	7-9 IN-LBS [0.8-1.0 NM]
#10-32 THD TERMINAL SCREW	15-20 IN-LBS [1.7-2.3 NM]

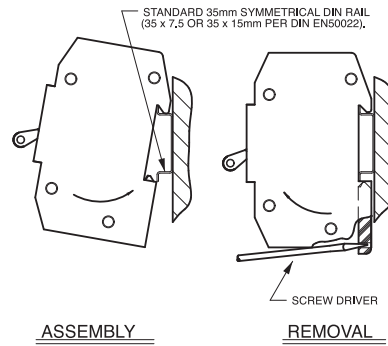
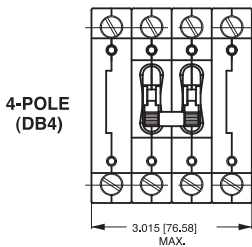
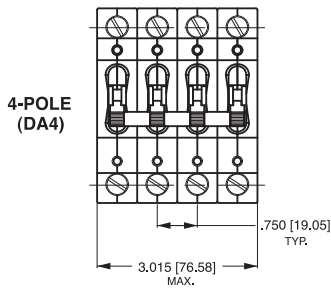
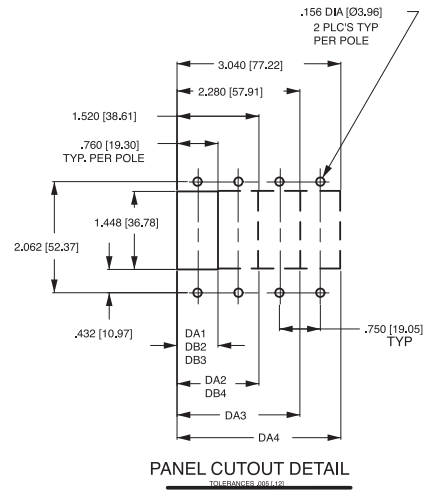
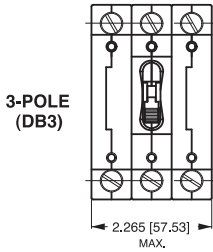
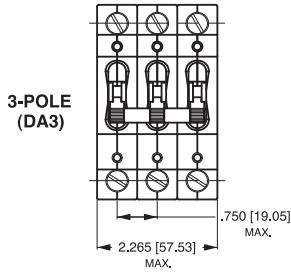
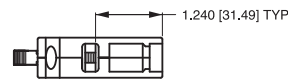
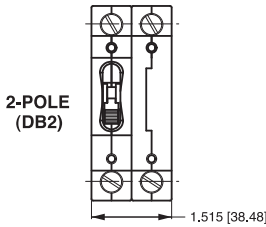
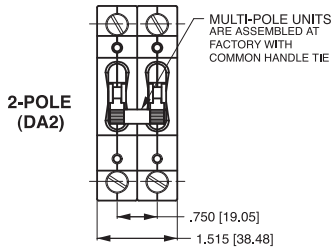
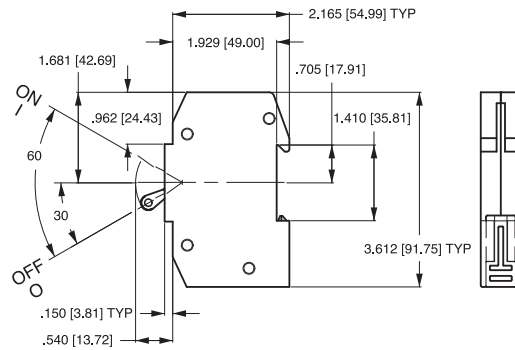
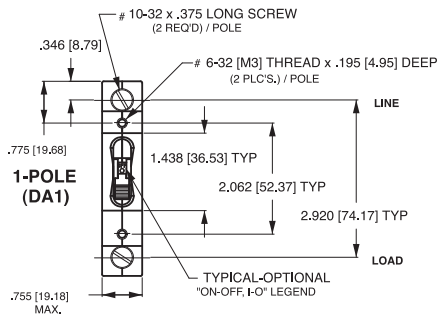
Notes:

- 1 All dimensions are in inches [millimeters].
- 2 Tolerance  $\pm 0.020$  [.51] unless otherwise specified.



Notes:

- 1 All dimensions are in inches [millimeters].
- 2 Tolerance  $\pm 0.20$  [.51] unless otherwise specified.
- 3 Dimensions apply to all variations shown. Notice that circuit breaker line and load terminal orientation on indicate OFF is opposite of indicate ON.
- 4 For pole orientation with horizontal legend, rotate front view clockwise 90°.



- Notes:  
 1 All dimensions are in inches [millimeters].  
 2 Tolerance ±.010 [.25] unless otherwise specified.

### **Worldwide Headquarters**

Carling Technologies, Inc.  
60 Johnson Avenue • Plainville, CT 06062  
Phone: (860) 793-9281 • Fax: (860) 793-9231  
Email: sales@carlingtech.com • www.carlingtech.com

East Region Sales Office, CT • ersm@carlingtech.com  
Midwest Region Sales Office, IL • mrsm@carlingtech.com  
West Region Sales Office, CA • wrsm@carlingtech.com

### **Asia-Pacific Headquarters**

Carling Technologies, Asia-Pacific Ltd.,  
Kowloon, Hong Kong  
Int + 852-2737-2277 • Fax: Int + 852-2736-9332  
Email: sales@carlingtech.com.hk

Shenzhen, China • shenzhen@carlingtech.com  
Shanghai, China • shanghai@carlingtech.com  
Pune, India • india@carlingtech.com  
Kaohsiung, Taiwan • taiwan@carlingtech.com  
Yokohama, Japan • japan@carlingtech.com

### **Europe / Middle East / Africa Headquarters**

Carling Technologies LTD  
4 Airport Business Park, Exeter Airport,  
Clyst Honiton, Exeter, Devon, EX5 2UL, UK  
Int + 44 1392-364422 • Fax: Int + 44 1392-364477  
Email: ltd.sales@carlingtech.com

GmbH, Germany • gmbh@carlingtech.com  
SAS, France • sas@carlingtech.com

REV\_CB\_D\_01\_2014



**Carling Technologies™**

Innovative Designs. Powerful Solutions.