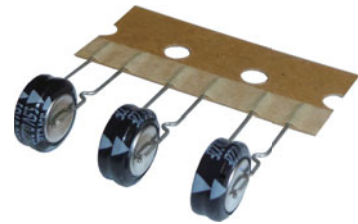


Stacked Coin Type

Series : **SE** Low temperature assured product



Features

- Endurance : +70 °C 1000 h
- Category temperature range : -40 °C to +70 °C
- Automatic insertion available
- RoHS compliant

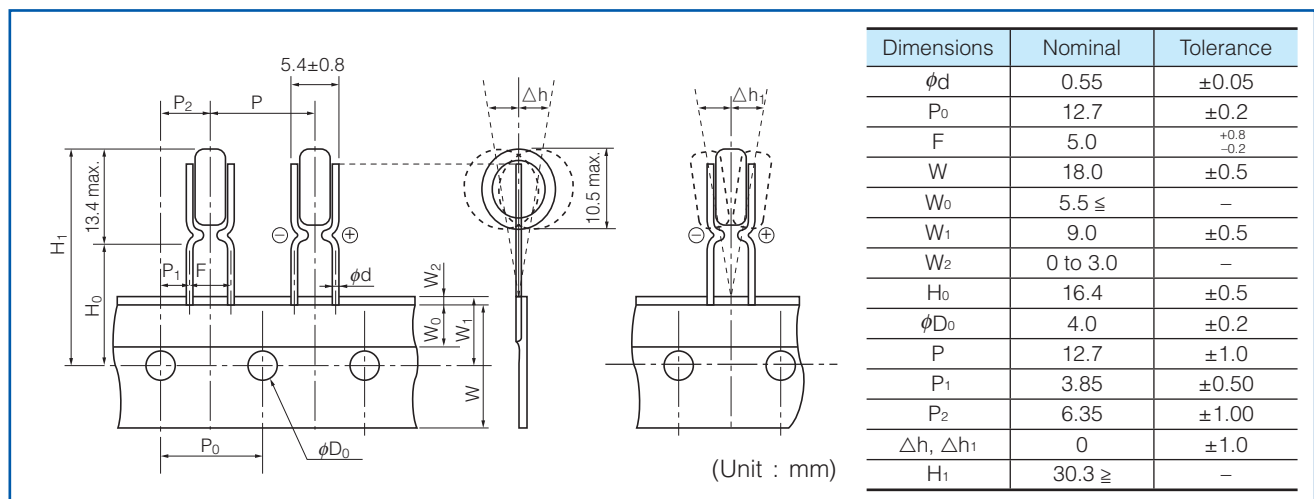
Recommended applications

- Memory back-up for video and audio equipment, cameras, telephones, printers, data terminals, rice cookers and intelligent remote controls.

Specifications

Category temp. range	-40 °C to +70 °C	
Maximum operating voltage	5.5 V.DC	
Nominal cap.range	0.22 F	
Characteristics at low temperature	Capacitance change	±30 % of initial measured value at +20 °C (at -40 °C)
	Internal resistance	≤ 7 times of initial measured value at +20 °C (at -40 °C)
Endurance	After 1000 hours application of 5.5 V.DC at +70 °C, the capacitor shall meet the following limits.	
	Capacitance change	±30 % of initial measured value
Shelf life	After 1000 hours storage at +70 °C without load, the capacitor shall meet the specified limits for Endurance.	
	Internal resistance	≤ 4 times of initial specified value

Dimensions in mm(not to scale)



Characteristics list

Category temp. range (°C)	Maximum operating voltage (V.DC)	Capacitance (F)	Capacitance tolerance (F)	Internal resistance (Initial specified value) (Ω) at 1 kHz	Recommended*1 discharge current (μA)	Parts number	Mass (Reference value) (g)	Min. packaging q'ty (pcs)
-40 to +70	5.5	0.22	0.176 to 0.396	≤ 75	300 or less	EECSE0H224N	1.0	1000

- *1 The recommended discharge current is a reference value. Please design your equipment (circuit) in consideration of IR drop.
- When ordering please observe the minimum packaging quantity.
 - When the surface mount component goes through UV or a heat oven to affix the adhesive glue, the capacitor's surface temperature should not exceed 100 °C for more than 60 seconds (maximum temperature should not exceed 105 °C)
 - Do not use reflow soldering. Please refer to the page of "Application guidelines".