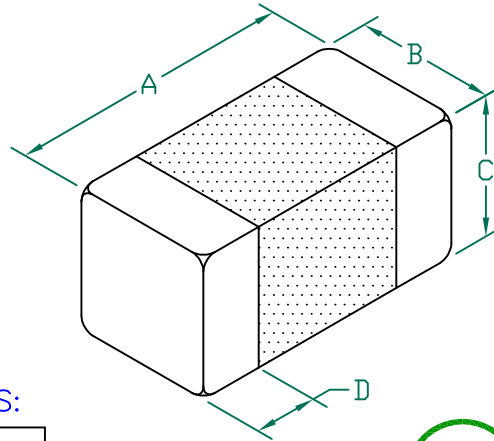


IC0603A681R-10

UNCONTROLLED DOCUMENT

PHYSICAL DIMENSIONS:

A	1.60 [.063]	+ 0.15[.006]
B	0.80 [.031]	+ 0.15[.006]
C	0.80 [.031]	+ 0.15[.006]
D	0.30 [.012]	+ 0.20[.008]



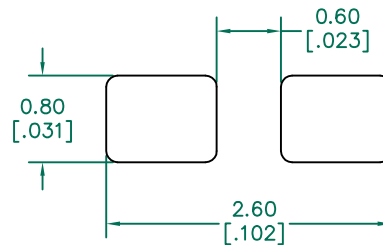
- NOTES: UNLESS OTHERWISE SPECIFIED
1. TAPED AND REELED per CURRENT EIA SPECIFICATIONS 7" REELS, 4000 PCS/REEL, PAPER TAPE.
 2. TERMINATION FINISH IS 100% MATTE Sn OVER Ni.
 3. COMPONENTS SHOULD BE ADEQUATELY PREHEATED BEFORE SOLDERING.
 4. I (MAX.) IS BASED ON THE MAXIMUM SUSTAINED CURRENT APPLIED WHILE MAINTAINING A MAXIMUM TEMPERATURE RISE OF 40°C OVER AMBIENT.
 5. I (OPERATING) IS BASED ON THE MAXIMUM SUSTAINED CURRENT APPLIED WHILE MAINTAINING A MINIMUM INDUCTANCE (L).
 6. OPERATING TEMP. RANGE: -40°C~+125°C. (INCLUDING SELF-HEATING)

ELECTRICAL CHARACTERISTICS:

L (nH) ± 10%	748	Max
	680	Nom
	612	Min@35mA
Q (Min)	15	
Freq. (MHz)	25	
Self-Resonant Freq (MHz)	80	
DCR(Max) Ω	1.70	
I (Max)	75mA	
I (Operating)	35mA	

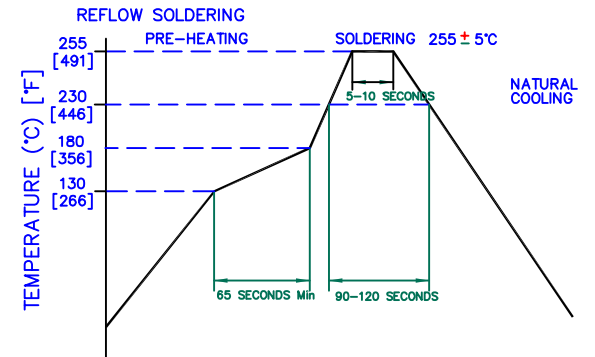


LAND PATTERNS FOR REFLOW SOLDERING



(For wave soldering, add 0.762[.030] to this dimension)

RECOMMENDED SOLDERING CONDITIONS



DIMENSIONS ARE IN mm [INCHES].				This print is the property of Laird Tech. and is loaned in confidence subject to return upon request and with the understanding that no copies shall be made without the written consent of Laird Tech. All rights to design or invention are reserved.			
E	ADD OPERATING TEMPERATURE UPDATE LAIRD LOGO AND REFLOW CURVE	08/05/13	QU				
D	UPDATE COMPANY LOGO	04/01/08	JRK				
C	MODIFY NOTES, CHG D DIMS & TOLS CHANGE SELF-RESONANT FREQ.	01/16/07	JRK				
B	CHG P/N ADD @35mA TO MIN L&ADD I (OPERATING) TO ELECT BOX REV/ADD NOTES	12/29/05	TMB				
A	ORIGINAL DRAFT	04/27/04	JRK				
REV	DESCRIPTION	DATE	INT	PROJECT/PART NUMBER: IC0603A681R-10	REV E	PART TYPE: CO-FIRE	DRAWN BY: JRK
				DATE: 04/27/04	SCALE: NTS	SHEET: 2 of 2	
				GAD # IC0603A681R-10-E	TOOL # -		