

# OV6930 400 x 400 product brief



available in  
a lead-free  
package

## Industry's Smallest 400 x 400 Image Sensor

With a packaged footprint of only 1.8 mm x 1.8 mm, the OV6930 is the ideal solution for camera applications that require less than a 2.6 mm outside diameter, such as medical endoscopes. The OV6930's unique architecture combines ultra-low power consumption with OmniVision's best-in-class pixel technology, OmniPixel3-HS™, enabling low-light performance of 3300 mV/lux-sec.

In addition to its small footprint and extraordinary performance, the OV6930 offers raw serial output, allowing cabling up to 14 feet with two wires.

The low-voltage OV6930 provides either full-frame or cropped analog images in RAW RGB format via serial camera control bus (SCCB) interface control.

The device offers an image array capable of operating up to 30 frames per second (fps) in 400 x 400 or 60 fps in 400 x 200 resolution, with simplified exposure control programmable through the SCCB interface. OmniVision's image sensors leverage proprietary technology to improve image quality by reducing or eliminating common lighting/electrical sources of image contamination, such as fixed pattern noise and smearing, to produce a clean, fully stable, color image.

No other image sensor on the market offers high performance and sensitivity in such a small form factor.

Find out more at [www.ovt.com](http://www.ovt.com).



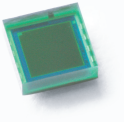
## Applications

- Medical Devices
- Security and Surveillance
- Entertainment Multimedia, Games and Toys

## Product Features

- OmniPixel3-HS architecture with leading low-light sensitivity (3300 mV/lux-sec)
- optical size of 1/10.6"
- analog output
- automatic/manual control of AEC and AGC
- on-chip phase lock loop (PLL)
- low power consumption
- single 3.3V power supply
- SCCB interface

# OV6930



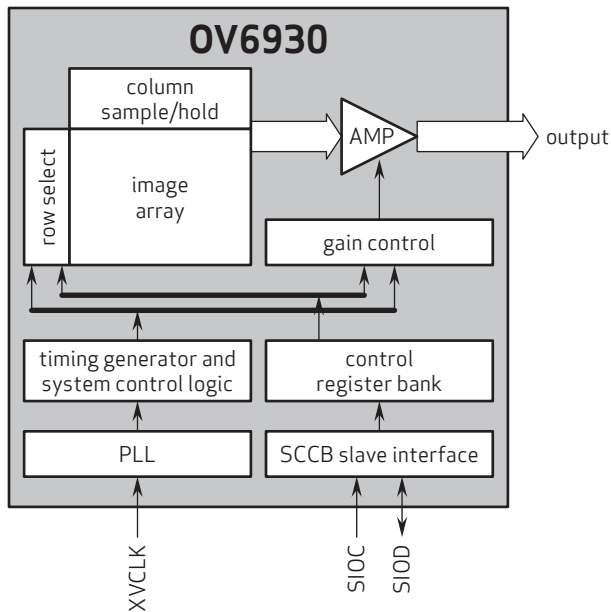
## Ordering Information

- OV06930-A08A (color, analog, 8-pin CSP3)

## Product Specifications

- active array size: 400 x 400
- power supply:
  - analog: 3.3V ±5%
  - I/O: 2.3 - 3.5V
- power requirements: 48 mW (typical)
- temperature range:
  - operating: -20°C to +70°C junction temperature
  - stable image: 0°C to +50°C junction temperature
- output formats: analog signal output
- optical size: 1/10.6"
- maximum exposure: 876 x T<sub>line</sub>
- scan mode: progressive
- maximum image transfer rate:
  - 400x400: 30 fps
  - 400x200: 60 fps
- max S/N ratio: 38 dB
- dynamic range: 68 dB @ 8x gain
- sensitivity: 3.0 V/lux-sec
- color mosaic: RGB Bayer pattern
- pixel size: 3.0 μm x 3.0 μm
- dark current: 10 mV/s @ 60°C junction temperature
- image area: 1224 μm x 1212 μm
- package dimensions: 1815 μm x 1815 μm

## Functional Block Diagram



4275 Burton Drive  
Santa Clara, CA 95054  
USA

Tel: +1 408 567 3000  
Fax: +1 408 567 3001  
www.ovt.com

OmniVision reserves the right to make changes to their products or to discontinue any product or service without further notice. OmniVision, the OmniVision logo and OmniPixel are registered trademarks of OmniVision Technologies, Inc. OmniPixel3-HS is a trademark of OmniVision Technologies, Inc. All other trademarks are the property of their respective owners.



OmniVision