

6

5

4

3

2

1

MATERIAL AND FINISH:

Insulator: Impact resistance Polypropylene, black, UL-94V-HB rated

PDSN-23A (wire leads): PVC, 26 AWG

Contact & terminals:

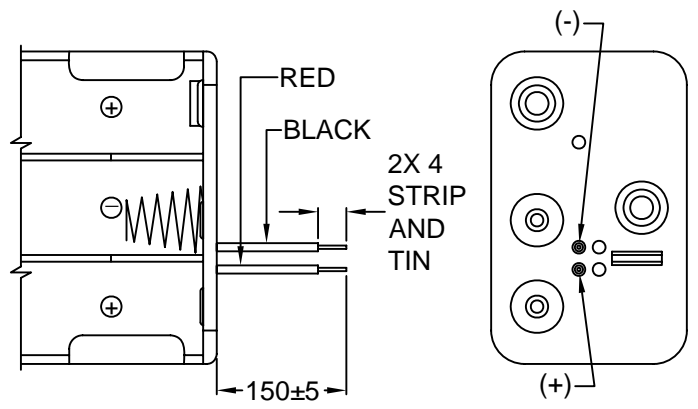
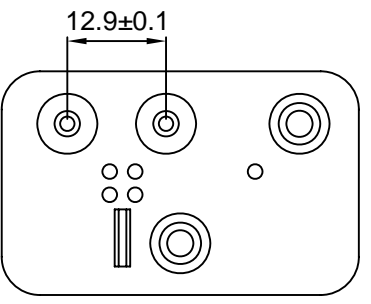
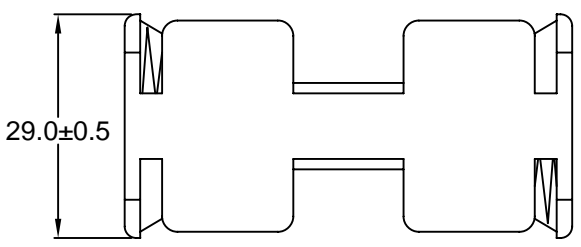
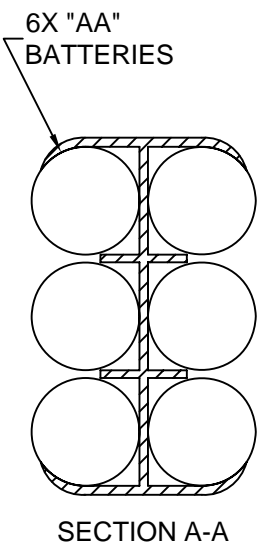
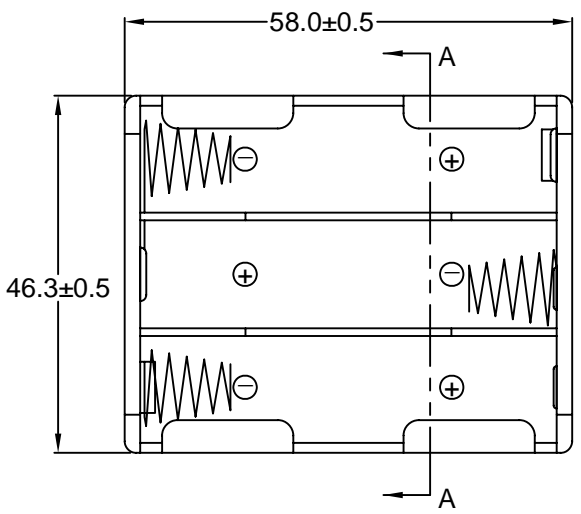
PDSN-23B: Brass, Nickel plated

PDSN-23C: Brass, Nickel plated

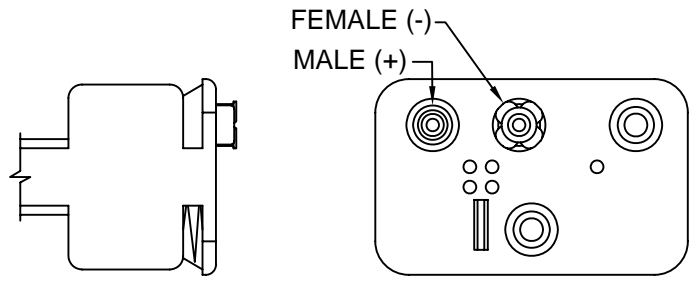
Spring: Spring Steel, Nickel plated imbedded in Polypropylene

ENVIRONMENTAL:

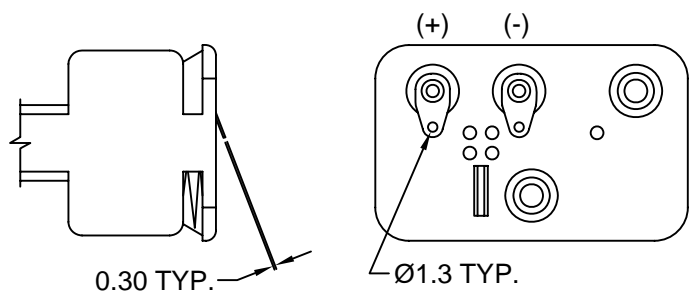
Operating temperature: -5°C to +83°C



PDSN-23A WIRE LEADS



PDSN-23B SNAP TERMINAL



PDSN-23C SOLDER LUGS

D

C

B

A

REVISIONS	CHNG	CHK	APPR
	CHANGE	REVIS	UPDATED
	DATE	04/16/02	
	REV	A	

TOLERANCE UNLESS OTHERWISE SPECIFIED			
X	± 1		
X.X	± 0.4		
X.XX	± 0.20		
DRAWN BY	DT	DATE:	4/11/01
CHECK BY	PB	DATE:	4/12/01
APPR BY		DATE:	

Power Dynamics, Inc.
 Phone: 973 560-0019 Whippany, New Jersey Fax: 973 560-0076

PART: 6 CELL TYPE "AA" BATTERY HOLDER
 SIDE BY SIDE

PDSN-23X

SIZE: A
 SCALE: NTS

ALL DIMENSIONS FOR REFERENCE ONLY
 DIMENSIONS ARE IN MILLIMETERS

SHEET 1 of 1
 REV: A