

PIC12(L)F1571/2 Memory Programming Specification

This document includes the programming specifications for the following devices:

- PIC12F1571 • PIC12LF1571
- PIC12F1572 • PIC12LF1572

1.0 OVERVIEW

The device can be programmed using either the high-voltage In-Circuit Serial Programming™ (ICSP™) method or the low-voltage ICSP method.

1.1 Hardware Requirements

1.1.1 HIGH-VOLTAGE ICSP PROGRAMMING

In High-Voltage ICSP mode, the device requires two programmable power supplies: one for VDD and one for the MCLR/VPP pin.

1.1.2 LOW-VOLTAGE ICSP PROGRAMMING

In Low-Voltage ICSP mode, these devices can be programmed using a single VDD source in the operating range. The MCLR/VPP pin does not have to be brought to a different voltage, but can instead be left at the normal operating voltage.

1.1.2.1 Single-Supply ICSP Programming

The LVP bit in Configuration Word 2 enables single-supply (low-voltage) ICSP programming. The LVP bit defaults to a '1' (enabled) from the factory. The LVP bit may only be programmed to '0' by entering the High-Voltage ICSP mode, where the MCLR/VPP pin is raised to VIH. Once the LVP bit is programmed to a '0', only the High-Voltage ICSP mode is available and only the High-Voltage ICSP mode can be used to program the device.

Note 1: The High-Voltage ICSP mode is always available, regardless of the state of the LVP bit, by applying VIH to the MCLR/VPP pin.

2: While in Low-Voltage ICSP mode, MCLR is always enabled, regardless of the MCLRE bit, and the port pin can no longer be used as a general purpose input.

1.2 Pin Utilization

Five pins are needed for ICSP programming. The pins are listed in [Table 1-1](#).

TABLE 1-1: PIN DESCRIPTIONS DURING PROGRAMMING FOR PIC12(L)F1571/2

Pin Name	During Programming		
	Function	Pin Type	Pin Description
ICSPCLK	ICSPCLK	I	Clock Input – Schmitt Trigger Input
ICSPDAT	ICSPDAT	I/O	Data Input/Output – Schmitt Trigger Input
MCLR/VPP	Program/Verify mode	P ⁽¹⁾	Program Mode Select/Programming Power Supply
VDD	VDD	P	Power Supply
VSS	VSS	P	Ground

Legend: I = Input, O = Output, P = Power

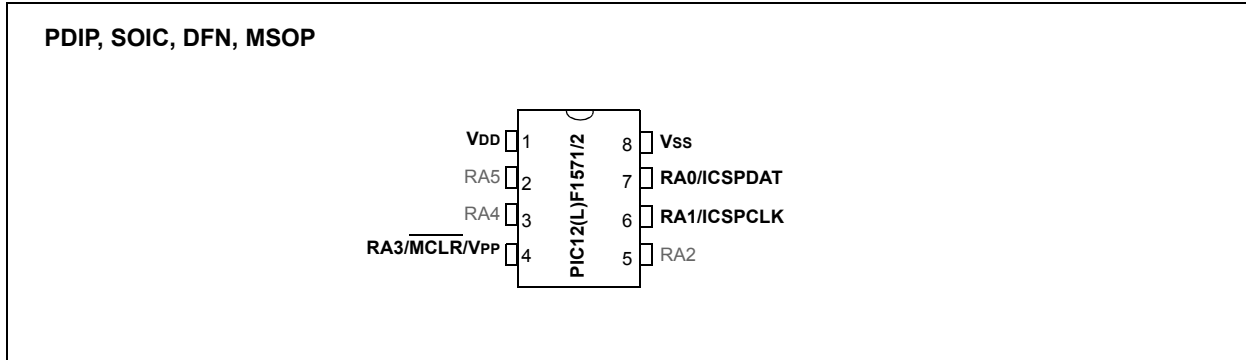
Note 1: The programming high voltage is internally generated. To activate the Program/Verify mode, high voltage needs to be applied to MCLR input. Since the MCLR is used for a level source, MCLR does not draw any significant current.

PIC12(L)F1571/2

2.0 DEVICE PINOUTS

The pin diagram for the PIC12(L)F1571/2 family is shown in [Figure 2-1](#). The pins that are required for programming are listed in [Table 1-1](#) and shown in bold lettering in the pin diagram.

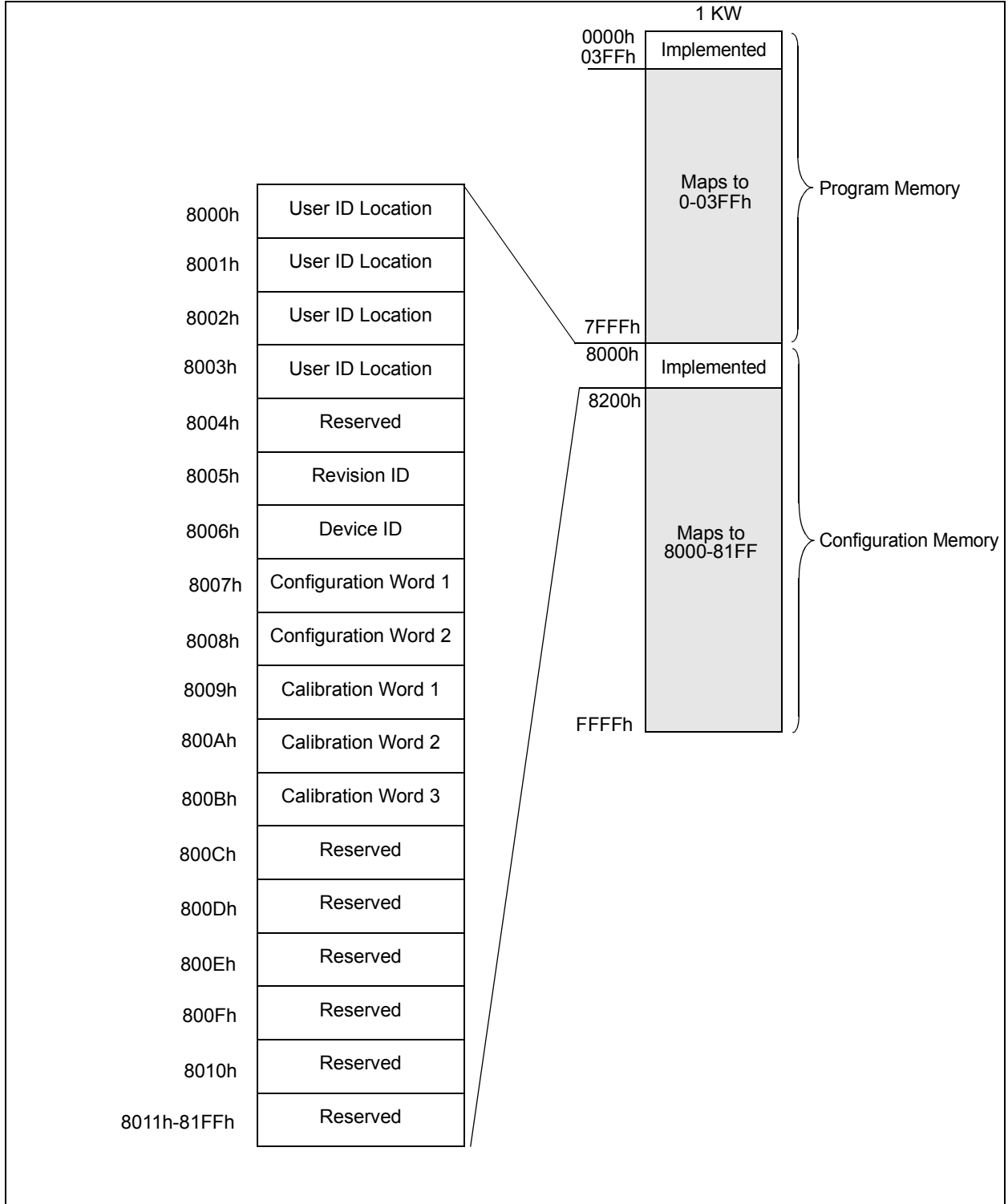
FIGURE 2-1: 8-PIN DIAGRAM FOR PIC12(L)F1571/2



3.0 MEMORY MAP

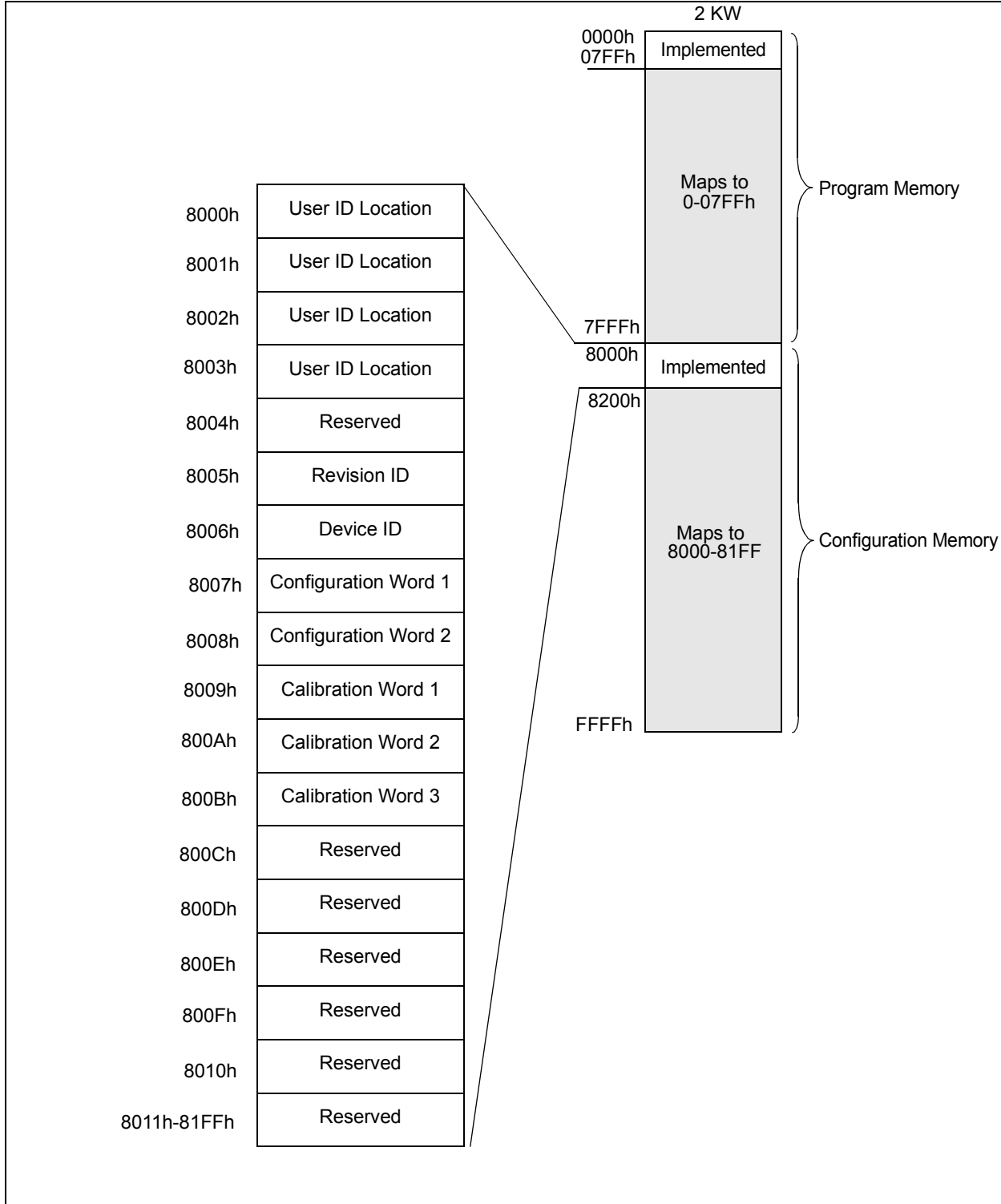
The memory is broken into two sections: program memory and configuration memory.

FIGURE 3-1: PIC12(L)F1571 PROGRAM MEMORY MAPPING



PIC12(L)F1571/2

FIGURE 3-2: PIC12(L)F1572 PROGRAM MEMORY MAPPING



3.1 User ID Location

A user may store identification information (user ID) in four designated locations. The user ID locations are mapped to 8000h-8003h. Each location is 14 bits in length. Code protection has no effect on these memory locations. Each location may be read with code protection enabled or disabled.

Note: MPLAB® IDE only displays the seven Least Significant bits (LSb) of each user ID location; the upper bits are not read. It is recommended that only the seven LSbs be used if MPLAB IDE is the primary tool used to read these addresses.

3.2 Revision ID

The revision ID word is located at 8005h. This location is read-only and cannot be erased or modified.

3.3 Device ID

The device ID word is located at 8006h. This location is read-only and cannot be erased or modified.

3.4 Configuration Words

The device has two Configuration Words, Configuration Word 1 (8007h) and Configuration Word 2 (8008h). The individual bits within these Configuration Words are used to enable or disable device functions such as the Brown-out Reset, code protection and Power-up Timer.

3.5 Calibration Words

The internal calibration values are factory-calibrated and stored in the Calibration Word locations. See [Figure 3-1](#) for address information.

The Calibration Words do not participate in erase operations. The device can be erased without affecting the Calibration Words.

PIC12(L)F1571/2

REGISTER 3-1: DEVICEID: DEVICE ID REGISTER⁽¹⁾

R	R	R	R	R	R	R	R
DEV<13:8>							
bit 13				bit 8			

R	R	R	R	R	R	R	R
DEV<7:0>							
bit 7				bit 0			

Legend:

R = Readable bit

'0' = Bit is cleared

'1' = Bit is set

x = Bit is unknown

bit 13-0 **DEV<13:0>**: Device ID bits

Refer to [Table 3-1](#) to determine what these bits will read on which device. A value of 3FFFh is invalid.

Note 1: This location cannot be written.

REGISTER 3-2: REVISIONID: REVISION ID REGISTER⁽¹⁾

R	R	R	R	R	R	R	R
REV<13:8>							
bit 13				bit 8			

R	R	R	R	R	R	R	R
REV<7:0>							
bit 7				bit 0			

Legend:

R = Readable bit

'0' = Bit is cleared

'1' = Bit is set

x = Bit is unknown

bit 13-0 **REV<13:0>**: Revision ID bits

These bits are used to identify the device revision.

Note 1: This location cannot be written.

TABLE 3-1: DEVICE ID VALUES

DEVICE	Device ID	Revision ID
PIC12F1571	3051h	2xxxh
PIC12LF1571	3053h	2xxxh
PIC12F1572	3050h	2xxxh
PIC12LF1572	3052h	2xxxh

REGISTER 3-3: CONFIGURATION WORD 1

U-1	U-1	R/P-1	R/P-1	R/P-1	U-1
—	—	CLKOUTEN	BOREN<1:0> ⁽¹⁾		—
bit 13					bit 8

R/P-1	R/P-1	R/P-1	R/P-1	R/P-1	U-1	R/P-1	R/P-1
\overline{CP} ⁽²⁾	MCLRE	\overline{PWRT} ⁽¹⁾	WDTE<1:0>		—	FOSC<1:0>	
bit 7							bit 0

Legend:

R = Readable bit P = Programmable bit U = Unimplemented bit, read as '1'
 '0' = Bit is cleared '1' = Bit is set n = Value when blank or after Bulk Erase

bit 13-12 **Unimplemented:** Read as '1'

bit 11 **CLKOUTEN:** Clock Out Enable bit

1 = OFF - CLKOUT function is disabled. I/O or oscillator function on CLKOUT pin
 0 = ON - CLKOUT function is enabled on CLKOUT pin

bit 10-9 **BOREN<1:0>:** Brown-out Reset Enable bits⁽¹⁾

11 = ON - Brown-out Reset enabled. The SBOREN bit is ignored.
 10 = SLEEP - Brown-out Reset enabled while running and disabled in Sleep. The SBOREN bit is ignored.
 01 = SBODEN - Brown-out Reset controlled by the SBOREN bit in the PCON register
 00 = OFF - Brown-out Reset disabled. The SBOREN bit is ignored.

bit 8 **Unimplemented:** Read as '1'

bit 7 **CP:** Flash Program Memory Code Protection bit⁽²⁾

1 = OFF - Code protection off. Program Memory can be read and written.
 0 = ON - Code protection on. Program Memory cannot be read or written externally.

bit 6 **MCLRE:** MCLR/VPP Pin Function Select bit

If LVP bit = 1 (ON):

This bit is ignored. MCLR/VPP pin function is MCLR; Weak pull-up enabled.

If LVP bit = 0 (OFF):

1 = ON - MCLR/VPP pin function is MCLR; Weak pull-up enabled.

0 = OFF - MCLR/VPP pin function is digital input; MCLR internally disabled; Weak pull-up under control of pin's WPU control bit.

bit 5 **PWRT:** Power-up Timer Enable bit⁽¹⁾

1 = OFF - PWRT disabled
 0 = ON - PWRT enabled

bit 4-3 **WDTE<1:0>:** Watchdog Timer Enable bit

11 = ON - WDT enabled. SWDTEN is ignored.
 10 = SLEEP - WDT enabled while running and disabled in Sleep. SWDTEN is ignored.
 01 = SWDTEN - WDT controlled by the SWDTEN bit in the WDTCN register
 00 = OFF - WDT disabled. SWDTEN is ignored.

bit 2 **Unimplemented:** Read as '1'

bit 1-0 **FOSC<1:0>:** Oscillator Selection bits

11 = ECH - External Clock, High-Power mode: CLKI on OSC1/CLKI
 10 = ECM - External Clock, Medium-Power mode: CLKI on OSC1/CLKI
 01 = ECL - External Clock, Low-Power mode: CLKI on OSC1/CLKI
 00 = INTOSC - I/O function on OSC1/CLKI

- Note 1:** Enabling Brown-out Reset does not automatically enable Power-up Timer.
Note 2: Once enabled, code-protect can only be disabled by bulk erasing the device.

PIC12(L)F1571/2

REGISTER 3-4: CONFIGURATION WORD 2

R/P-1	R/P-1	R/P-1	R/P-1	R/P-1	R/P-1
LVP ⁽¹⁾	DEBUG ⁽²⁾	LPBOREN	BORV ⁽³⁾	STVREN	PLLEN
bit 13					bit 8

U-1	U-1	U-1	U-1	U-1	U-1	R/P-1	R/P-1
—	—	—	—	—	—	WRT<1:0>	
bit 7							bit 0

Legend:

R = Readable bit P = Programmable bit U = Unimplemented bit, read as '1'
 '0' = Bit is cleared '1' = Bit is set n = Value when blank or after Bulk Erase

- bit 13 **LVP:** Low-Voltage Programming Enable bit⁽¹⁾
 1 = ON - Low-voltage programming enabled. $\overline{\text{MCLR}}/\text{VPP}$ pin function is $\overline{\text{MCLR}}$. MCLR Configuration bit is ignored.
 0 = OFF - High Voltage on $\overline{\text{MCLR}}/\text{VPP}$ must be used for programming
- bit 12 **DEBUG:** Debugger Mode bit⁽²⁾
 1 = OFF - In-Circuit Debugger disabled; ICSPCLK and ICSPDAT are general purpose I/O pins.
 0 = ON - In-Circuit Debugger enabled; ICSPCLK and ICSPDAT are dedicated to the debugger.
- bit 11 **LPBOREN:** Low-Power Brown-out Reset Enable bit
 1 = OFF - Low-power Brown-out Reset is disabled
 0 = ON - Low-power Brown-out Reset is enabled
- bit 10 **BORV:** Brown-out Reset Voltage Selection bit⁽³⁾
 1 = LOW - Brown-out Reset voltage (V_{bor}), low trip point selected
 0 = HIGH - Brown-out Reset voltage (V_{bor}), high trip point selected
- bit 9 **STVREN:** Stack Overflow/Underflow Reset Enable bit
 1 = ON - Stack Overflow or Underflow will cause a Reset
 0 = OFF - Stack Overflow or Underflow will not cause a Reset
- bit 8 **PLLEN:** PLL Enable bit
 1 = ON - 4xPLL enabled
 0 = OFF - 4xPLL disabled
- bit 7-2 **Unimplemented:** Read as '1'
- bit 1-0 **WRT<1:0>:** Flash Memory Self-Write Protection bits
2 kW Flash memory: (PIC12F1572):
 11 = OFF - Write protection off
 10 = BOOT - 000h to 1FFh write-protected, 200h to 7FFh may be modified by PMCON control
 01 = HALF - 000h to 3FFh write-protected, 400h to 7FFh may be modified by PMCON control
 00 = ALL - 000h to 7FFh write-protected, no addresses may be modified by PMCON control
1 kW Flash memory: (PIC12F1571)
 11 = OFF - Write protection off
 10 = BOOT - 000h to 0FFh write-protected, 100h to 3FFh may be modified by PMCON control
 01 = HALF - 000h to 1FFh write-protected, 200h to 3FFh may be modified by PMCON control
 00 = ALL - 000h to 3FFh write-protected, no addresses may be modified by PMCON control

- Note 1:** This bit cannot be programmed to '0' when programming mode is entered via LVP.
Note 2: The DEBUG bit in Configuration Words is managed automatically by device development tools including debuggers and programmers. For normal device operation, this bit should be maintained as a '1'.
Note 3: See V_{bor} parameter for specific trip point voltages.

4.0 PROGRAM/VERIFY MODE

In Program/Verify mode, the program memory and the configuration memory can be accessed and programmed in serial fashion. ICSPDAT and ICSPCLK are used for the data and the clock, respectively. All commands and data words are transmitted LSb first. Data changes on the rising edge of the ICSPCLK and is latched on the falling edge. In Program/Verify mode, both the ICSPDAT and ICSPCLK are Schmitt Trigger inputs. The sequence that enters the device into Program/Verify mode places all other logic into the Reset state. Upon entering Program/Verify mode, all I/Os are automatically configured as high-impedance inputs and the address is cleared.

4.1 High-Voltage Program/Verify Mode Entry and Exit

There are two different methods of entering Program/Verify mode via high voltage:

- VPP – First entry mode
- VDD – First entry mode

4.1.1 VPP – FIRST ENTRY MODE

To enter Program/Verify mode via the VPP-first method, the following sequence must be followed:

1. Hold ICSPCLK and ICSPDAT low. All other pins should be unpowered.
2. Raise the voltage on $\overline{\text{MCLR}}$ from 0V to V_{IH} .
3. Raise the voltage on VDD from 0V to the desired operating voltage.

The VPP-first entry prevents the device from executing code prior to entering Program/Verify mode. For example, when the Configuration Word has $\overline{\text{MCLR}}$ disabled ($\text{MCLRE} = 0$), the power-up time is disabled ($\text{PWRT} = 0$), the internal oscillator is selected ($\text{FOSC} = 100$), and RA0 and RA1 are driven by the user application, the device will execute code. Since this may prevent entry, VPP-first entry mode is strongly recommended. See the timing diagram in [Figure 8-2](#).

4.1.2 VDD – FIRST ENTRY MODE

To enter Program/Verify mode via the VDD-first method, the following sequence must be followed:

1. Hold ICSPCLK and ICSPDAT low.
2. Raise the voltage on VDD from 0V to the desired operating voltage.
3. Raise the voltage on $\overline{\text{MCLR}}$ from VDD or below to V_{IH} .

The VDD-first method is useful when programming the device when VDD is already applied, for it is not necessary to disconnect VDD to enter Program/Verify mode. See the timing diagram in [Figure 8-1](#).

4.1.3 PROGRAM/VERIFY MODE EXIT

To exit Program/Verify mode take $\overline{\text{MCLR}}$ to VDD or lower (V_{IL}). See [Figures 8-3](#) and [8-4](#).

4.2 Low-Voltage Programming (LVP) Mode

The Low-Voltage Programming mode allows the devices to be programmed using VDD only, without high voltage. When the LVP bit of the Configuration Word 2 register is set to '1', the low-voltage ICSP programming entry is enabled. To disable the Low-Voltage ICSP mode, the LVP bit must be programmed to '0'. This can only be done while in the High-Voltage Entry mode.

Entry into the Low-Voltage ICSP Program/Verify mode requires the following steps:

1. $\overline{\text{MCLR}}$ is brought to V_{IL} .
2. A 32-bit key sequence is presented on ICSPDAT, while clocking ICSPCLK.

The key sequence is a specific 32-bit pattern, '0100 1101 0100 0011 0100 1000 0101 0000' (more easily remembered as MCHP in ASCII). The device will enter Program/Verify mode only if the sequence is valid. The Least Significant bit of the Least Significant nibble must be shifted in first.

Once the key sequence is complete, $\overline{\text{MCLR}}$ must be held at V_{IL} for as long as Program/Verify mode is to be maintained.

For low-voltage programming timing, see [Figures 8-8](#) and [8-9](#).

Exiting Program/Verify mode is done by no longer driving $\overline{\text{MCLR}}$ to V_{IL} . See [Figures 8-8](#) and [8-9](#).

Note: To enter LVP mode, the LSb of the Least Significant nibble must be shifted in first. This differs from entering the key sequence on other parts.

PIC12(L)F1571/2

4.3 Program/Verify Commands

These devices implement 13 programming commands, each six bits in length. The commands are summarized in [Table 4-1](#).

Commands that have data associated with them are specified to have a minimum delay of TDLY between the command and the data. After this delay, 16 clocks are required to either clock in or clock out the 14-bit data word. The first clock is for the Start bit and the last clock is for the Stop bit.

TABLE 4-1: COMMAND MAPPING

Command	Mapping						Hex	Data/Note
	Binary (MSb ... LSB)							
Load Configuration	x	0	0	0	0	0	00h	0, data (14), 0
Load Data For Program Memory	x	0	0	0	1	0	02h	0, data (14), 0
Read Data From Program Memory	x	0	0	1	0	0	04h	0, data (14), 0
Increment Address	x	0	0	1	1	0	06h	—
Reset Address	x	1	0	1	1	0	16h	—
Begin Internally Timed Programming	x	0	1	0	0	0	08h	—
Begin Externally Timed Programming	x	1	1	0	0	0	18h	—
End Externally Timed Programming	x	0	1	0	1	0	0Ah	—
Bulk Erase Program Memory	x	0	1	0	0	1	09h	Internally Timed
Row Erase Program Memory	x	1	0	0	0	1	11h	Internally Timed

4.3.1 LOAD CONFIGURATION

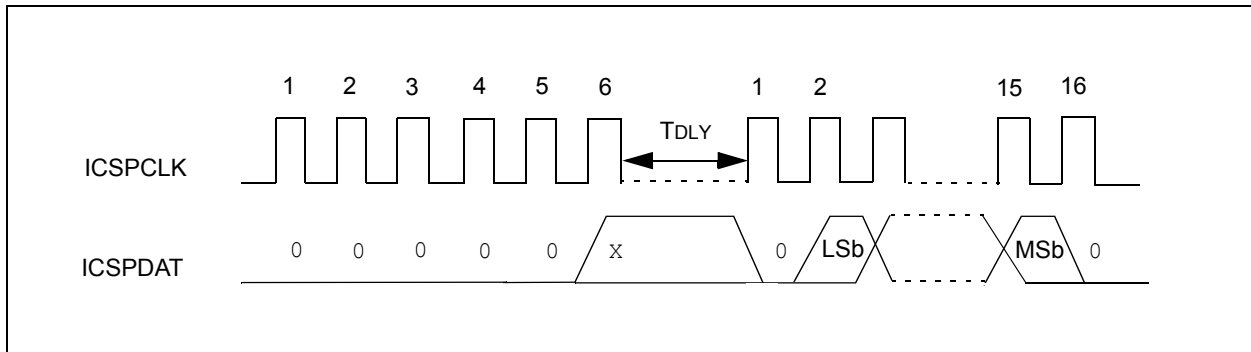
The Load Configuration command is used to access the configuration memory (User ID Locations, Configuration Words, Calibration Words). The Load Configuration command sets the address to 8000h and loads the data latches with one word of data (see [Figure 4-1](#)).

After issuing the Load Configuration command, use the Increment Address command until the proper address to be programmed is reached. The address is then programmed by issuing either the Begin Internally Timed Programming or Begin Externally Timed Programming command.

Note: Externally timed writes are not supported for Configuration and Calibration bits. Any externally timed write to the Configuration or Calibration Word will have no effect on the targeted word.

The only way to get back to the program memory (address 0) is to exit Program/Verify mode or issue the Reset Address command after the configuration memory has been accessed by the Load Configuration command.

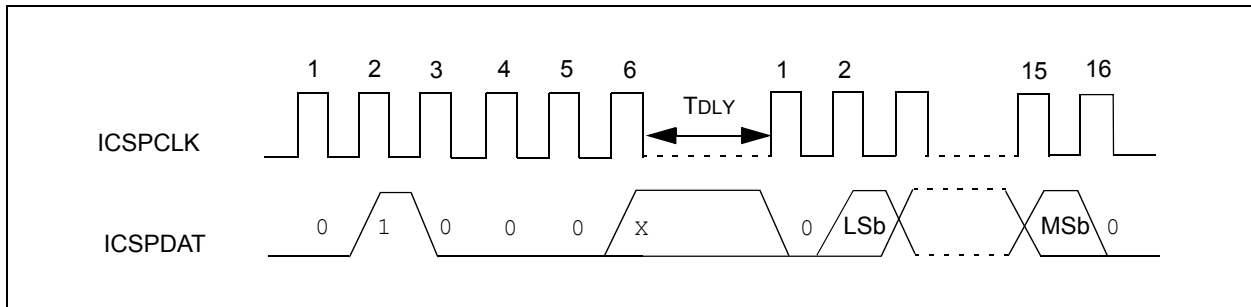
FIGURE 4-1: LOAD CONFIGURATION



4.3.2 LOAD DATA FOR PROGRAM MEMORY

The Load Data for Program Memory command is used to load one 14-bit word into the data latches. The word programs into program memory after the Begin Internally Timed Programming or Begin Externally Timed Programming command is issued (see [Figure 4-2](#)).

FIGURE 4-2: LOAD DATA FOR PROGRAM MEMORY

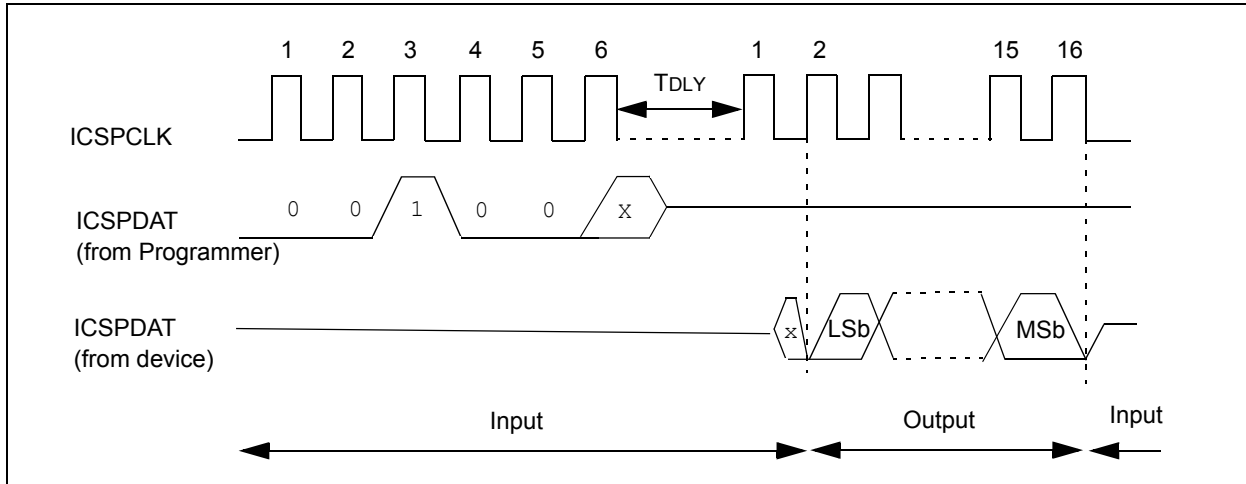


PIC12(L)F1571/2

4.3.3 READ DATA FROM PROGRAM MEMORY

The Read Data from Program Memory command will transmit data bits out of the program memory map currently accessed, starting with the second rising edge of the clock input. The ICSPDAT pin will go into Output mode on the first falling clock edge, and it will revert to Input mode (high-impedance) after the 16th falling edge of the clock. If the program memory is code-protected (CP), the data will be read as zeros (see Figure 4-3).

FIGURE 4-3: READ DATA FROM PROGRAM MEMORY

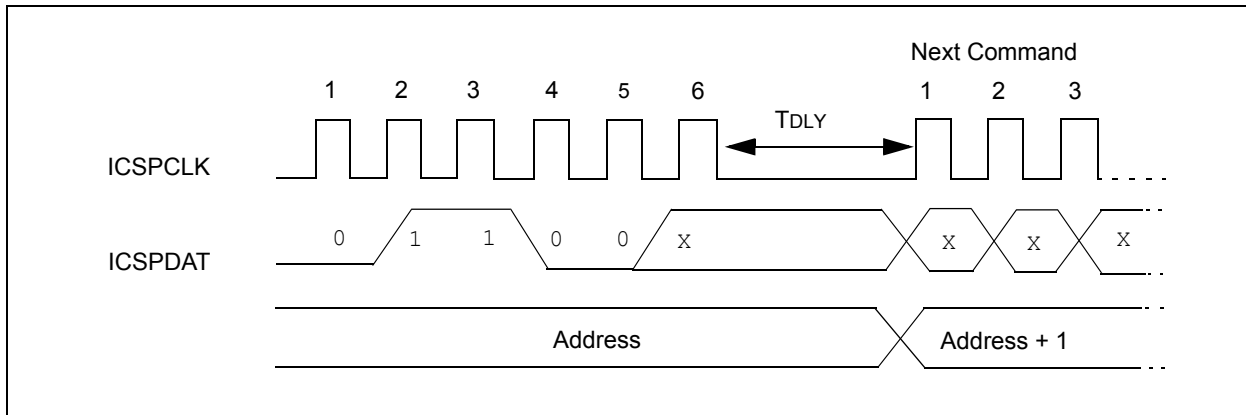


4.3.4 INCREMENT ADDRESS

The address is incremented when this command is received. It is not possible to decrement the address. To reset this counter, the user must use the Reset Address/Verify mode and re-enter it.

If the address is incremented from address 7FFFh, it will wrap-around to location 0000h. If the address is incremented from FFFFh, it will wrap-around to location 8000h (see Figure 4-4).

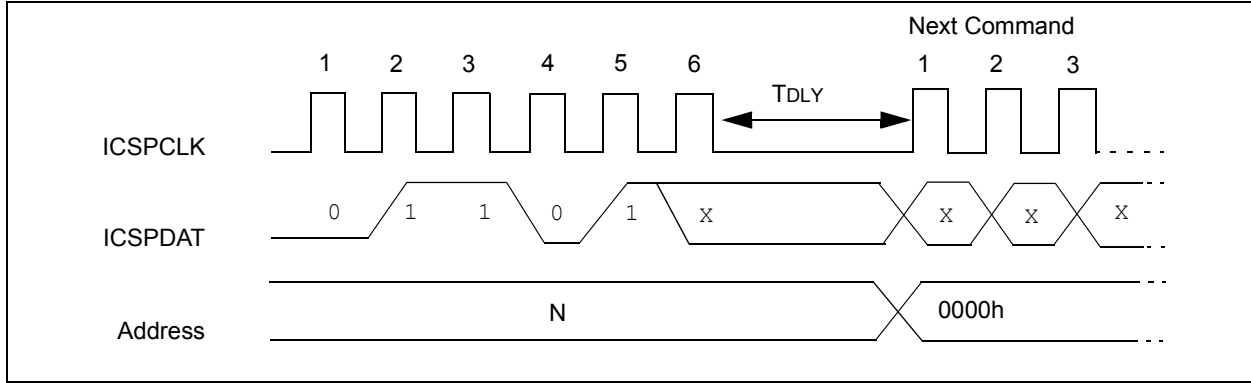
FIGURE 4-4: INCREMENT ADDRESS



4.3.5 RESET ADDRESS

The Reset Address command will reset the address to 0000h, regardless of the current value. The address is used in program memory or the configuration memory (see [Figure 4-5](#)).

FIGURE 4-5: RESET ADDRESS



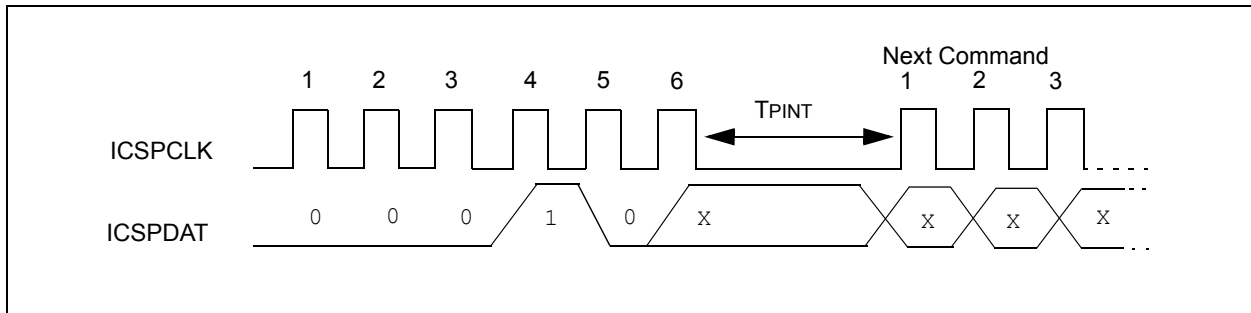
4.3.6 BEGIN INTERNALLY TIMED PROGRAMMING

A Load Configuration or Load Data for Program Memory command must be given before every Begin Programming command. Programming of the addressed memory will begin after this command is received. An internal timing mechanism executes the write. The user must allow for the program cycle time, TPINT, in order for the programming to complete.

The End Externally Timed Programming command is not needed when the Begin Internally Timed Programming is used to start the programming.

The program memory address that is being programmed is not erased prior to being programmed (see [Figure 4-6](#)).

FIGURE 4-6: BEGIN INTERNALLY TIMED PROGRAMMING



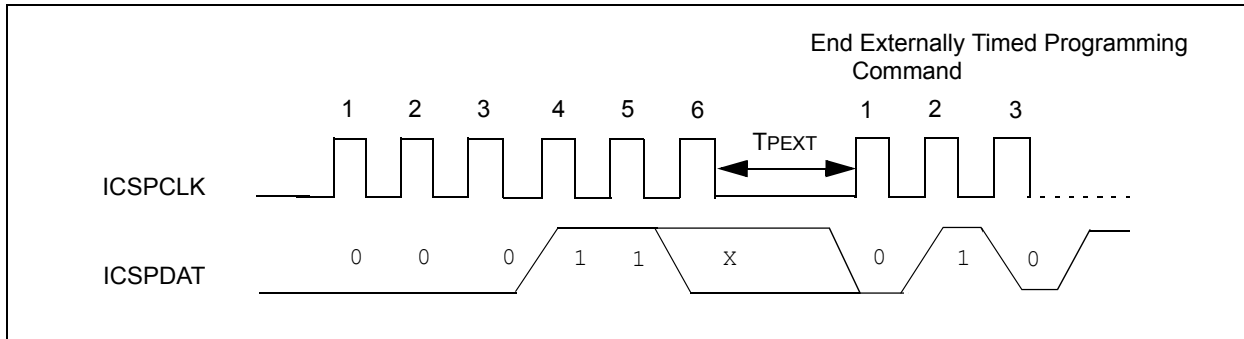
PIC12(L)F1571/2

4.3.7 BEGIN EXTERNALLY TIMED PROGRAMMING

A Load Configuration or Load Data for Program Memory command must be given before every Begin Programming command. Programming of the addressed memory will begin after this command is received. To complete the programming, the End Externally Timed Programming command must be sent in the specified time window defined by T_{PEXT} (see Figure 4-7).

Externally timed writes are not supported for Configuration and Calibration bits. Any externally timed write to the Configuration or Calibration Word will have no effect on the targeted word.

FIGURE 4-7: BEGIN EXTERNALLY TIMED PROGRAMMING

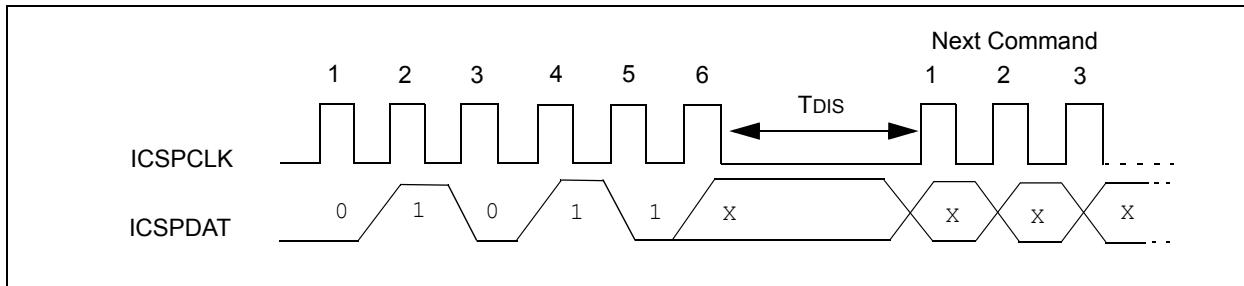


4.3.8 END EXTERNALLY TIMED PROGRAMMING

This command is required after a Begin Externally Timed Programming command is given. This command must be sent within the time window specified by T_{PEXT} after the Begin Externally Timed Programming command is sent.

After sending the End Externally Timed Programming command, an additional delay (T_{DIS}) is required before sending the next command. This delay is longer than the delay ordinarily required between other commands (see Figure 4-8).

FIGURE 4-8: END EXTERNALLY TIMED PROGRAMMING



4.3.9 BULK ERASE PROGRAM MEMORY

The Bulk Erase Program Memory command performs two different functions dependent on the current state of the address.

Address 0000h-7FFFh:

- Program Memory is erased
- Configuration Words are erased

Address 8000h-8008h:

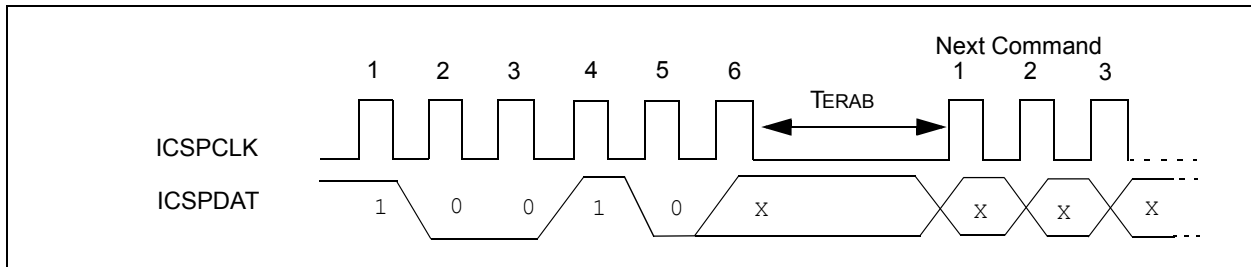
- Program Memory is erased
- Configuration Words are erased
- User ID Locations are erased

A Bulk Erase Program Memory command should not be issued when the address is greater than 8008h.

After receiving the Bulk Erase Program Memory command, the erase will not complete until the time interval, TERAB, has expired.

Note: The code protection Configuration bit (CP) has no effect on the Bulk Erase Program Memory command.

FIGURE 4-9: BULK ERASE PROGRAM MEMORY

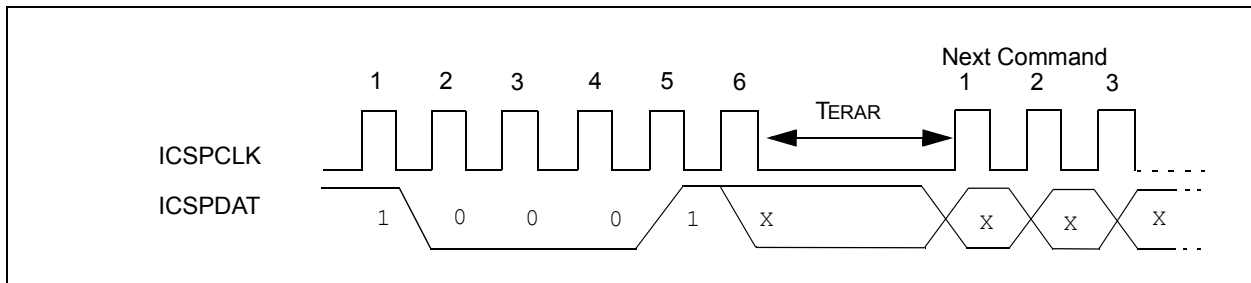


4.3.10 ROW ERASE PROGRAM MEMORY

The Row Erase Program Memory command will erase an individual row. Refer to [Table 4-2](#) for row sizes of specific devices and the PC bits used to address them. If the program memory is code-protected, the Row Erase Program Memory command will be ignored. When the address is 8000h-8008h, the Row Erase Program Memory command will only erase the user ID locations, regardless of the setting of the \overline{CP} Configuration bit.

After receiving the Row Erase Program Memory command, the erase will not complete until the time interval, TERAR, has expired (see [Figure 4-10](#)).

FIGURE 4-10: ROW ERASE PROGRAM MEMORY



PIC12(L)F1571/2

TABLE 4-2: PROGRAMMING ROW AND LATCH SIZES

Devices	PC	Erase Row Size (Number of 14-bit Words)	Write Row Size (Number of 14-bit Latches)
PIC12F1571	<15:4>	16	16
PIC12LF1571			
PIC12F1572			
PIC12LF1572			

5.0 PROGRAMMING ALGORITHMS

The devices use internal latches to temporarily store the 14-bit words used for programming. Refer to [Table 4-2](#) for specific latch information. The data latches allow the user to write the program words with a single Begin Externally Timed Programming or Begin Internally Timed Programming command. The Load Program Data or the Load Configuration command is used to load a single data latch. The data latch will hold the data until the Begin Externally Timed Programming or Begin Internally Timed Programming command is given.

The lower bits of the address define the data latch addresses and are aligned with the LSbs of the address. The upper bits of the address define the Flash program memory row. The upper bits that define the row address are indicated in [Table 4-2](#).

When the Begin Externally Timed Programming or Begin Internally Timed Programming commands are given, the data contained in the data latches will be programmed into the corresponding addresses of the row specified by the upper bits of the PC. Writes cannot cross a physical row boundary. For example, in a 16-word latch device, attempting to write from address 0002h-0011h will result in data being written to 0010h-001Fh.

If more than the maximum number of latches are written without a Begin Externally Timed Programming or Begin Internally Timed Programming command, the data in the data latches will be overwritten. The following figures show the recommended flowcharts for programming.

PIC12(L)F1571/2

FIGURE 5-1: DEVICE PROGRAM/VERIFY FLOWCHART

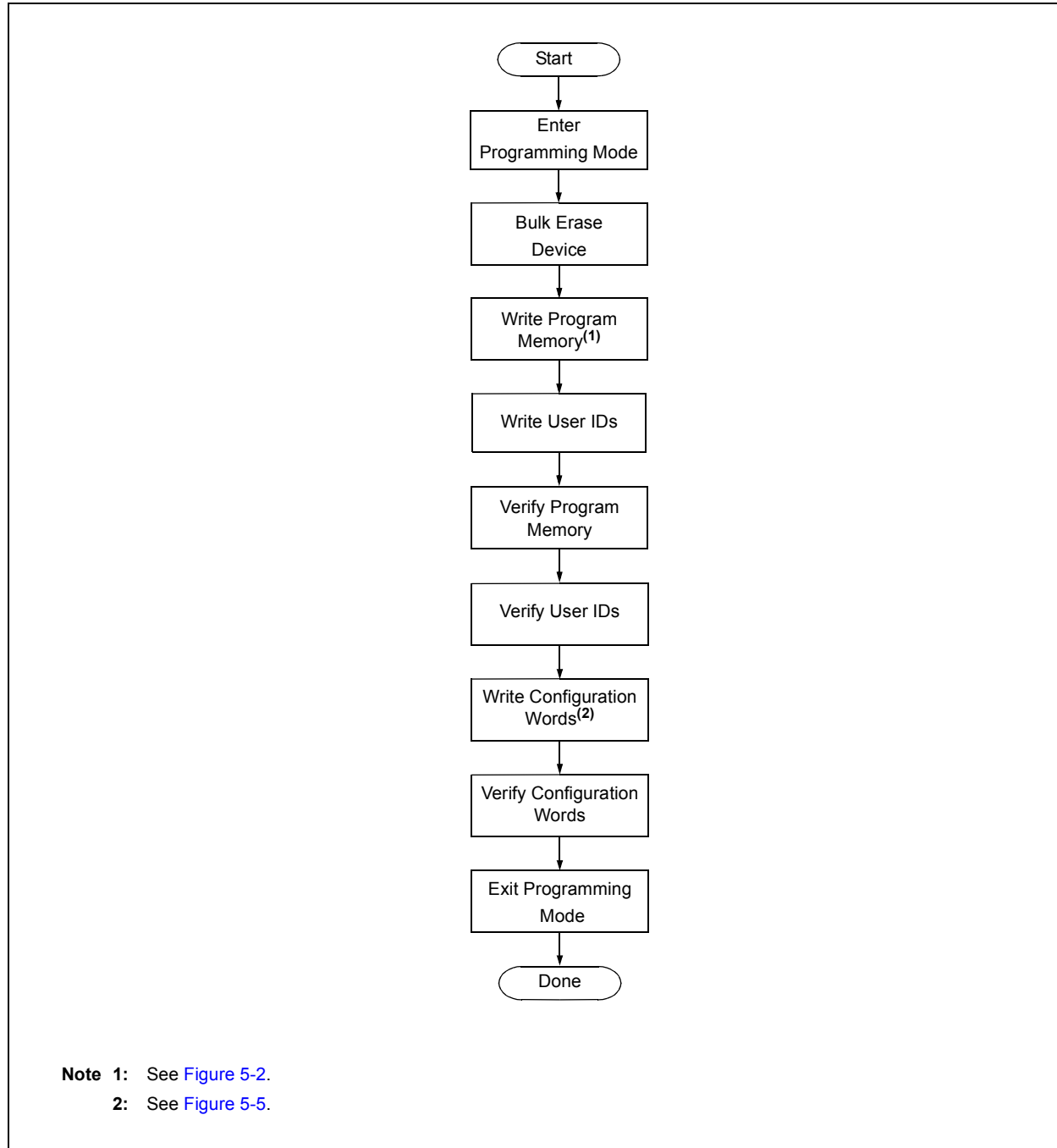
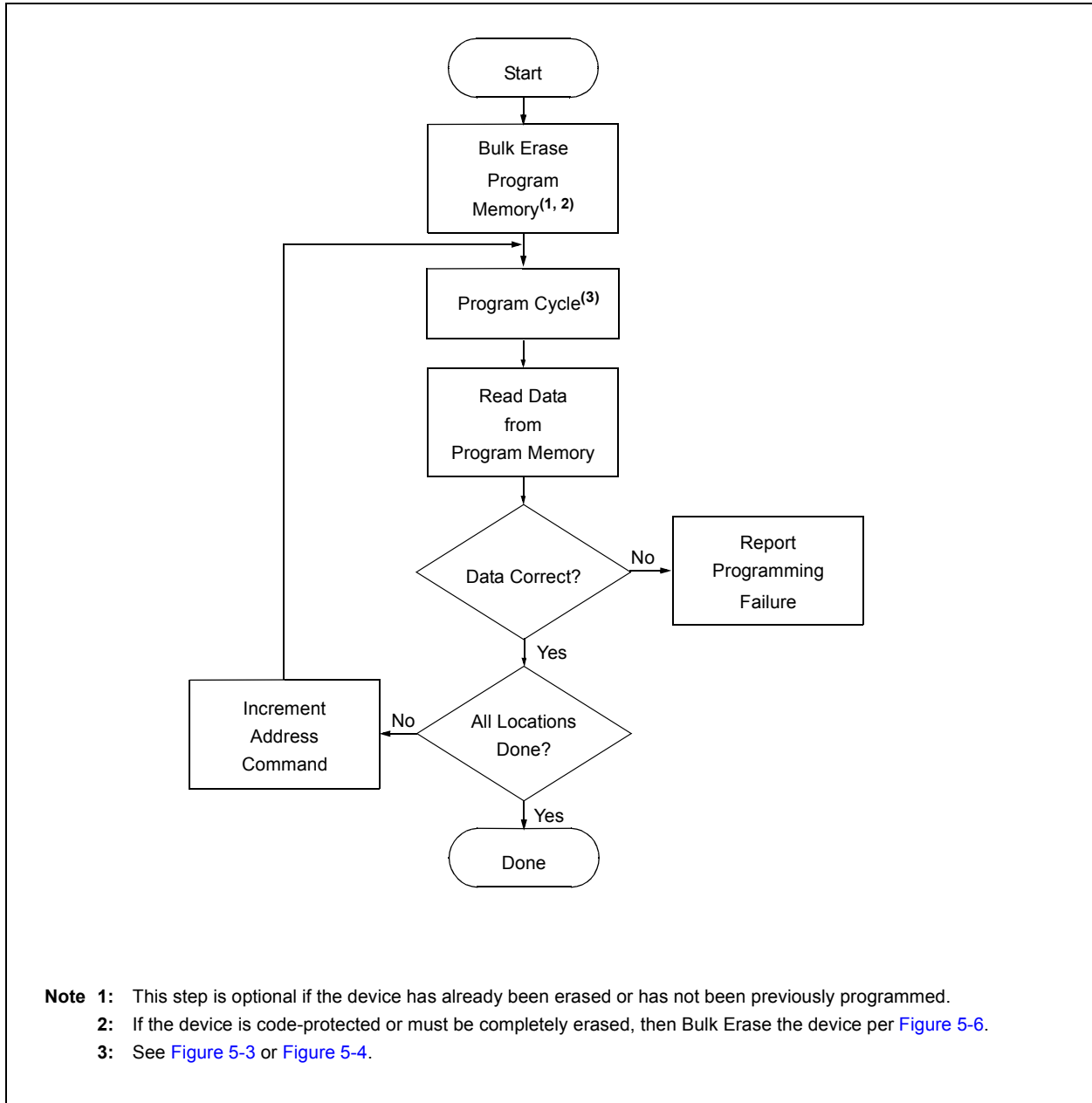


FIGURE 5-2: PROGRAM MEMORY FLOWCHART



PIC12(L)F1571/2

FIGURE 5-3: ONE-WORD PROGRAM CYCLE

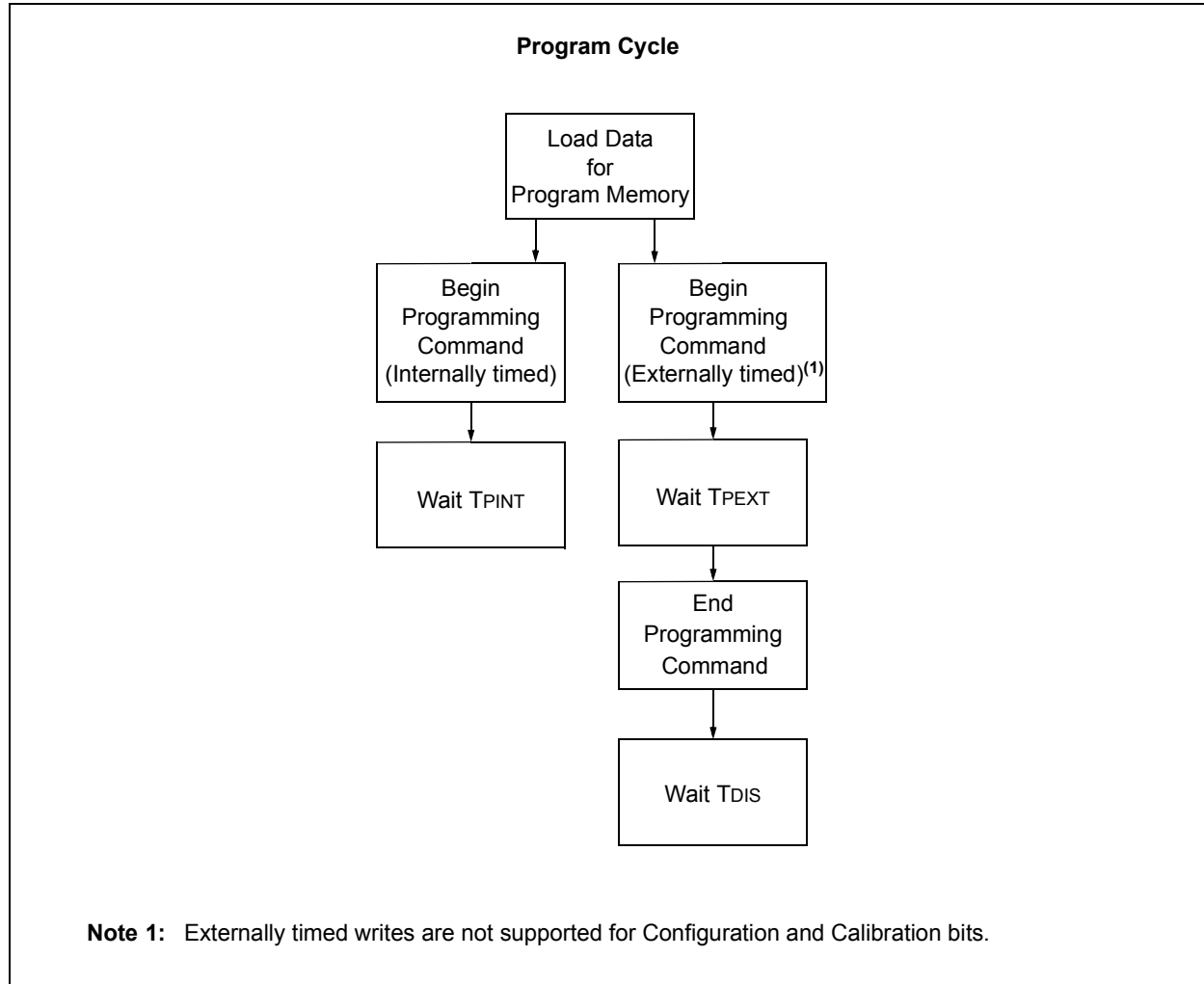
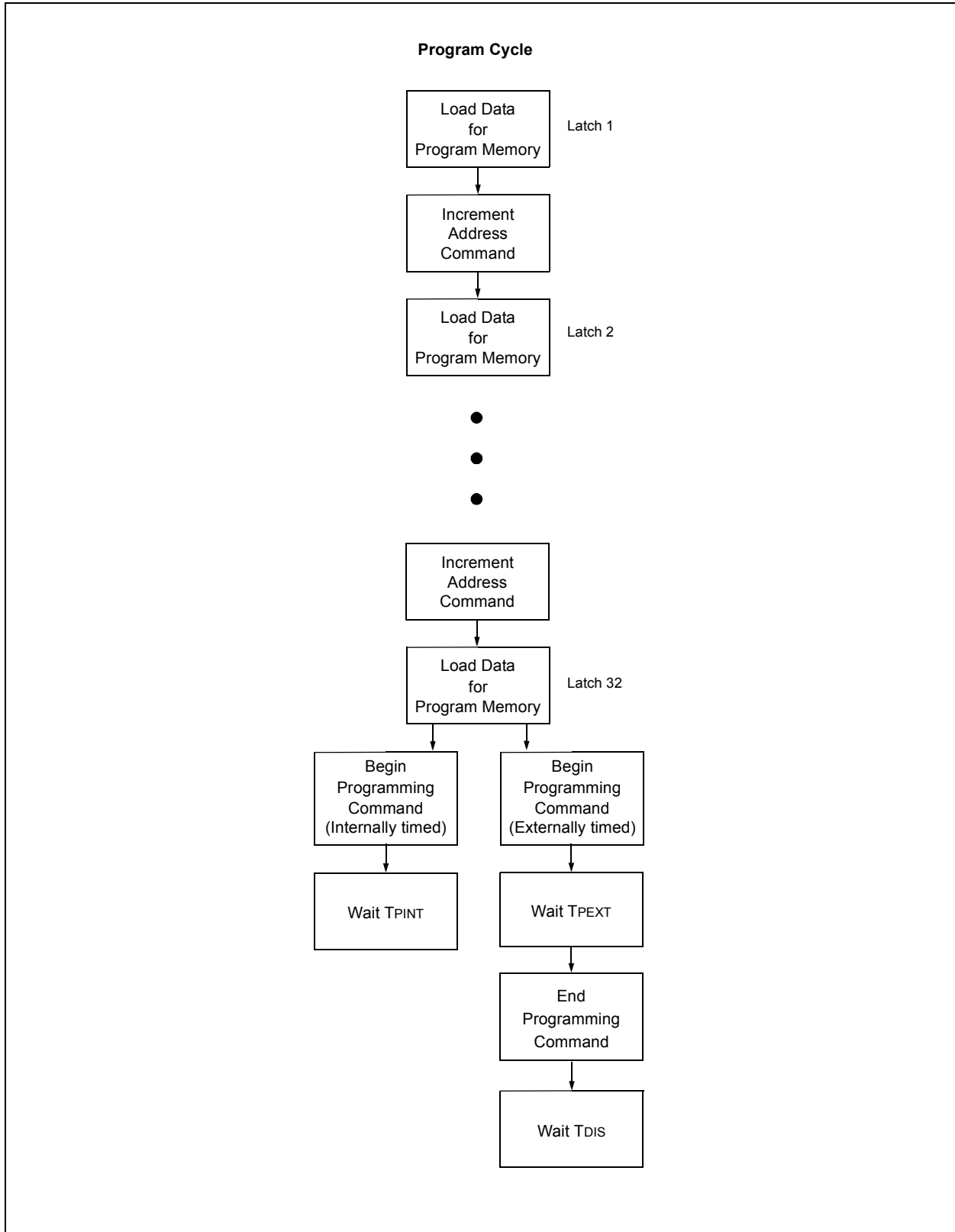


FIGURE 5-4: MULTIPLE-WORD PROGRAM CYCLE



PIC12(L)F1571/2

FIGURE 5-5: CONFIGURATION MEMORY PROGRAM FLOWCHART

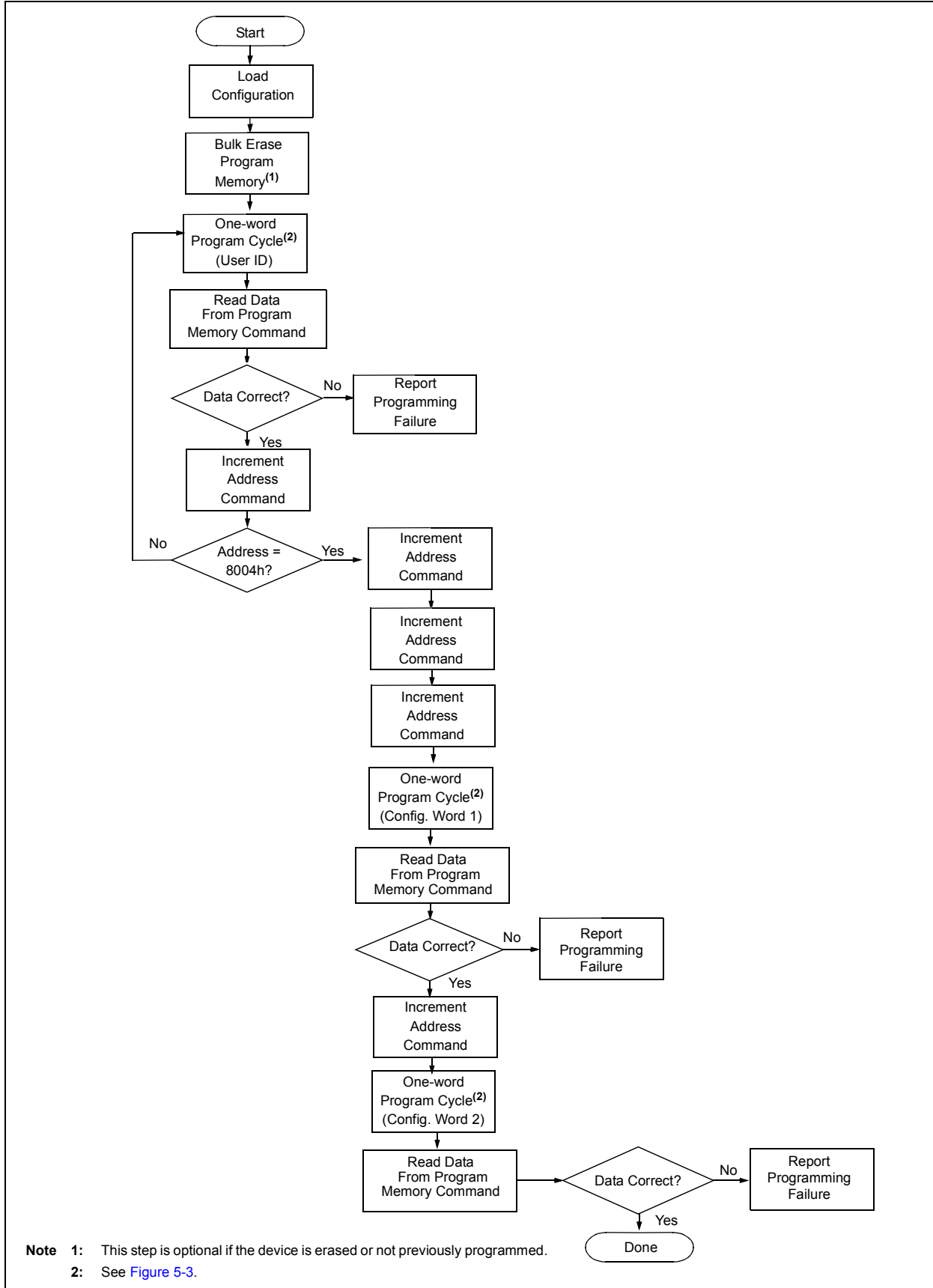
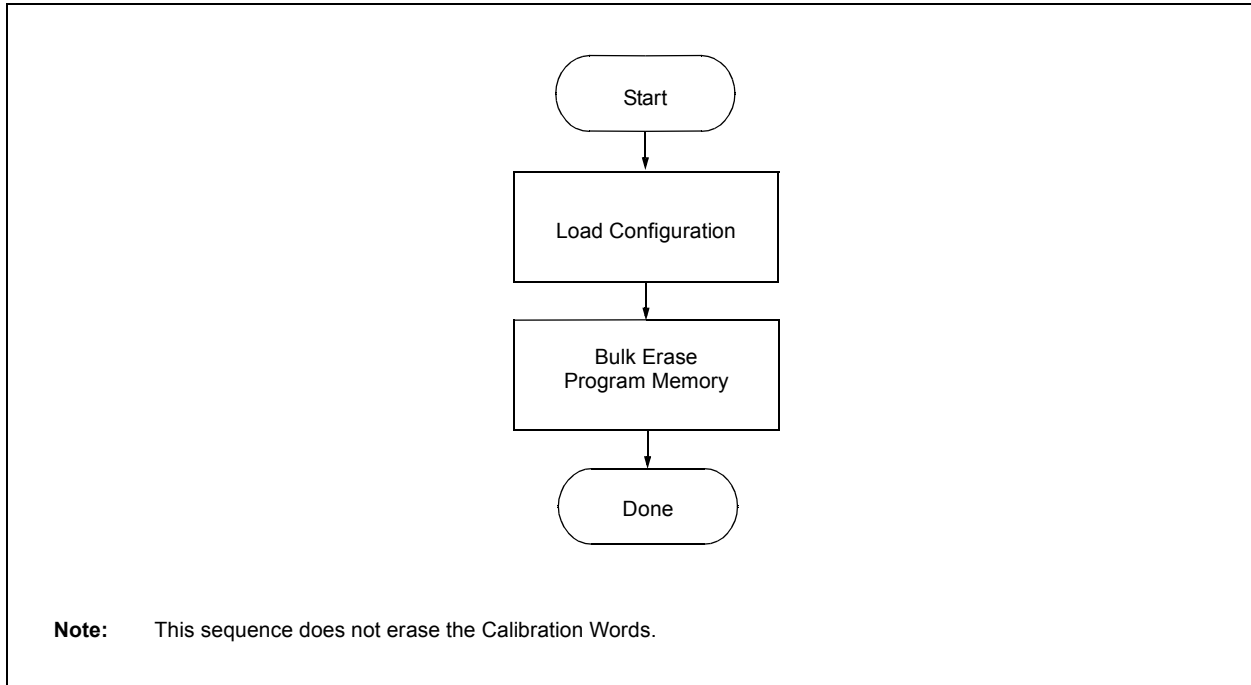


FIGURE 5-6: ERASE FLOWCHART



PIC12(L)F1571/2

6.0 CODE PROTECTION

Code protection is controlled using the \overline{CP} bit in Configuration Word 1. When code protection is enabled, all program memory locations (0000h-7FFFh) read as '0'. Further programming is disabled for the program memory (0000h-7FFFh). Program memory can still be programmed and read during program execution.

The user ID locations and Configuration Words can be programmed and read out regardless of the code protection settings.

6.1 Program Memory

Code protection is enabled by programming the \overline{CP} bit in Configuration Word 1 register to '0'.

The only way to disable code protection is to use the Bulk Erase Program Memory command.

7.0 HEX FILE USAGE

In the hex file there are two bytes per program word stored in the Intel® INHX32 hex format. Data is stored LSB first, MSB second. Because there are two bytes per word, the addresses in the hex file are 2x the address in program memory. (Example: The Configuration Word 1 is stored at 8007h. In the hex file this will be referenced as 1000Eh-1000Fh).

7.1 Configuration Word

To allow portability of code, it is strongly recommended that the programmer is able to read the Configuration Words and user ID locations from the hex file. If the Configuration Words information was not present in the hex file, a simple warning message may be issued. Similarly, while saving a hex file, Configuration Words and user ID information should be included.

7.2 Device ID

If a device ID is present in the hex file at 1000Ch-1000Dh (8006h on the part), the programmer should verify the device ID against the value read from the part. On a mismatch condition, the programmer should generate a warning message.

7.3 Checksum Computation

The checksum is calculated by two different methods dependent on the setting of the \overline{CP} Configuration bit.

TABLE 7-1: CONFIGURATION WORD MASK VALUES

Device	Config. Word 1 Mask	Config. Word 2 Mask
PIC12F1571	0EFBh	3F03h
PIC12LF1571	0EFBh	3F03h
PIC12F1572	0EFBh	3F03h
PIC12LF1572	0EFBh	3F03h

7.3.1 PROGRAM CODE PROTECTION DISABLED

With the program code protection disabled, the checksum is computed by reading the contents of the program memory locations and adding up the program memory data starting at address 0000h, up to the maximum user addressable location. Any Carry bits exceeding 16 bits are ignored. Additionally, the relevant bits of the Configuration Words are added to the checksum. All unimplemented Configuration bits are masked to '0'.

7.3.2 PROGRAM CODE PROTECTION ENABLED

When the MPLAB IDE check box for Configure->ID Memory...-> Use Unprotected Checksum is checked, then the 16-bit checksum of the equivalent unprotected device is computed and stored in the user ID. Each nibble of the unprotected checksum is stored in the Least Significant nibble of each of the four user ID locations. The Most Significant checksum nibble is stored in the user ID at location 8000h, the second Most Significant nibble is stored at location 8001h, and so forth for the remaining nibbles and ID locations. The protected checksums in [Table 7-2](#) assume that the Use Unprotected Checksum box is checked.

The checksum of a code-protected device is computed in the following manner: the Least Significant nibble of each user ID is used to create a 16-bit value. The Least Significant nibble of user ID location 8000h is the Most Significant nibble of the 16-bit value. The Least Significant nibble of user ID location 8001h is the second Most Significant nibble, and so forth for the remaining user IDs and 16-bit value nibbles. The resulting 16-bit value is summed with the Configuration Words. All unimplemented Configuration bits are masked to '0'.

TABLE 7-2: CHECKSUMS

Device	Config1			Config2		Checksum			
	Unprotected	Protected	Mask	Word	Mask	Unprotected		Code-protected	
						Blank	00AAh First and Last	Blank	00AAh First and Last
PIC12F1571	3FFFh	3F7Fh	0EFBh	3FFFh	3F03h	49FEh	CB54h	977Ch	18D2h
PIC12LF1571	3FFFh	3F7Fh	0EFBh	3FFFh	3F03h	49FEh	CB54h	977Ch	18D2h
PIC12F1572	3FFFh	3F7Fh	0EFBh	3FFFh	3F03h	45FEh	C754h	937Ch	14D2h
PIC12LF1572	3FFFh	3F7Fh	0EFBh	3FFFh	3F03h	45FEh	C754h	937Ch	14D2h

PIC12(L)F1571/2

8.0 ELECTRICAL SPECIFICATIONS

Refer to device specific data sheet for absolute maximum ratings.

TABLE 8-1: AC/DC CHARACTERISTICS TIMING REQUIREMENTS FOR PROGRAM/VERIFY MODE

AC/DC CHARACTERISTICS		Standard Operating Conditions Production tested at 25°C					
Sym.	Characteristics	Min.	Typ.	Max.	Units	Conditions/Comments	
Programming Supply Voltages and Currents							
VDD	Supply Voltage (VDDMIN ⁽²⁾ , VDDMAX)	PIC12LF1571/2	1.80	—	3.60	V	FOSC ≤ 16 MHz
			2.70	—	3.60	V	FOSC ≤ 32 MHz
		PIC12F1571/2	2.30	—	5.50	V	FOSC ≤ 16 MHz
			2.70	—	5.50	V	FOSC ≤ 32 MHz
VPEW	Read/Write and Row Erase operations	VDDMIN	—	VDDMAX	V		
VBE	Bulk Erase operations	2.7	—	VDDMAX	V		
IDDI	Current on VDD, Idle	—	—	1.0	mA		
IDDP	Current on VDD, Programming	—	—	3.0	mA		
VPP							
IPP	Current on MCLR/VPP	—	—	600	μA		
VIHH	High voltage on MCLR/VPP for Program/Verify mode entry	8.0	—	9.0	V		
TVHHR	MCLR rise time (VIL to VIHH) for Program/Verify mode entry	—	—	1.0	μs		
I/O pins							
VIH	(ICSPCLK, ICSPDAT, MCLR/VPP) input high level	0.8 VDD	—	—	V		
VIL	(ICSPCLK, ICSPDAT, MCLR/VPP) input low level	—	—	0.2 VDD	V		
VOH	ICSPDAT output high level	VDD-0.7 VDD-0.7 VDD-0.7	—	—	V	IOH = 3.5 mA, VDD = 5V IOH = 3 mA, VDD = 3.3V IOH = 2 mA, VDD = 1.8V	
VOL	ICSPDAT output low level	—	—	VSS+0.6 VSS+0.6 VSS+0.6	V	IOH = 8 mA, VDD = 5V IOH = 6 mA, VDD = 3.3V IOH = 3 mA, VDD = 1.8V	
VBOR	Brown-out Reset Voltage: BORV = 0 (high trip) BORV = 1 (low trip)	—	2.70	—	V	PIC12(L)F1571/2	
		—	2.45	—	V	PIC12F1571/2	
		—	1.90	—	V	PIC12LF1571/2	
Programming Mode Entry and Exit							
TENTS	Programming mode entry setup time: ICSPCLK, ICSPDAT setup time before VDD or MCLR↑	100	—	—	ns		
TENTH	Programming mode entry hold time: ICSPCLK, ICSPDAT hold time after VDD or MCLR↑	250	—	—	μs		
Serial Program/Verify							
TCKL	Clock Low Pulse Width	100	—	—	ns		
TCKH	Clock High Pulse Width	100	—	—	ns		
TDS	Data in setup time before clock↓	100	—	—	ns		
TDH	Data in hold time after clock↓	100	—	—	ns		
Tco	Clock↑ to data out valid (during a Read Data command)	0	—	80	ns		
TLZD	Clock↓ to data low-impedance (during a Read Data command)	0	—	80	ns		
THZD	Clock↓ to data high-impedance (during a Read Data command)	0	—	80	ns		

Note 1: Externally timed writes are not supported for Configuration and Calibration bits.

Note 2: Bulk-erased devices default to brown-out enabled. VDDMIN is 2.85 volts when performing low-voltage programming on a bulk-erased device, to ensure that the device is not held in Brown-out Reset.

TABLE 8-1: AC/DC CHARACTERISTICS TIMING REQUIREMENTS FOR PROGRAM/VERIFY MODE

AC/DC CHARACTERISTICS		Standard Operating Conditions Production tested at 25°C				
Sym.	Characteristics	Min.	Typ.	Max.	Units	Conditions/Comments
TDLY	Data input not driven to next clock input (delay required between command/data or command/command)	1.0	—	—	μs	
TERAB	Bulk Erase cycle time	—	—	5	ms	
TERAR	Row Erase cycle time	—	—	2.5	ms	
TPINT	Internally timed programming operation time	—	—	2.5 5	ms	Program memory Configuration Words
TPEXT	Externally timed programming pulse	1.0	—	2.1	ms	Note 1
TDIS	Time delay from program to compare (HV discharge time)	300	—	—	μs	
TEXIT	Time delay when exiting Program/Verify mode	1	—	—	μs	

Note 1: Externally timed writes are not supported for Configuration and Calibration bits.

Note 2: Bulk-erased devices default to brown-out enabled. VDDMIN is 2.85 volts when performing low-voltage programming on a bulk-erased device, to ensure that the device is not held in Brown-out Reset.

8.1 AC Timing Diagrams

FIGURE 8-1: PROGRAMMING MODE ENTRY – VDD FIRST

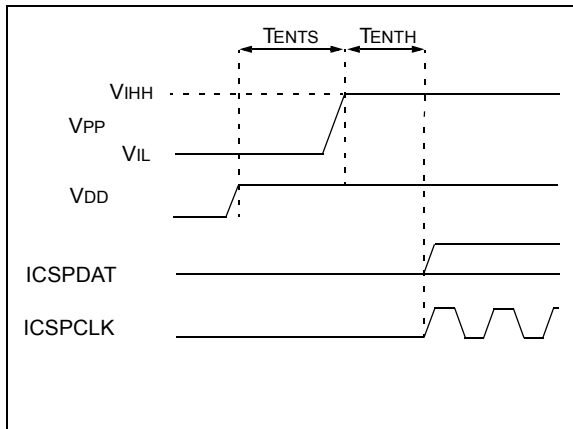


FIGURE 8-2: PROGRAMMING MODE ENTRY – VPP FIRST

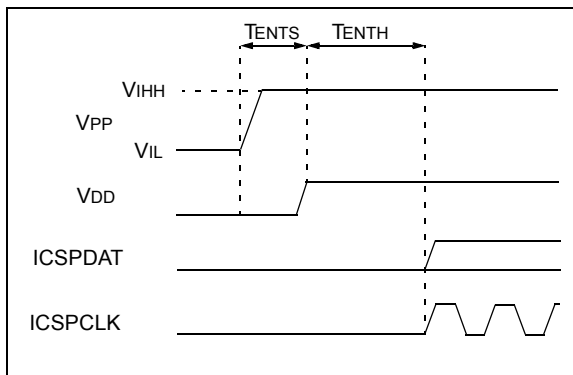


FIGURE 8-3: PROGRAMMING MODE EXIT – VPP LAST

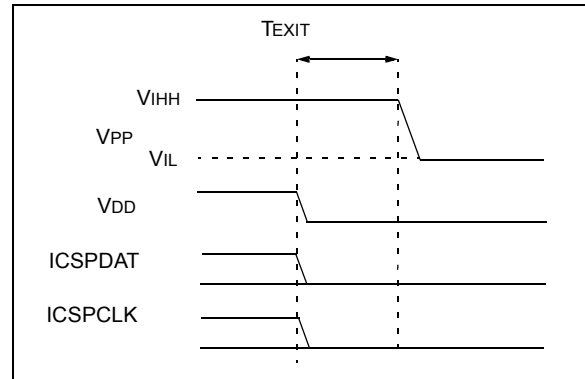
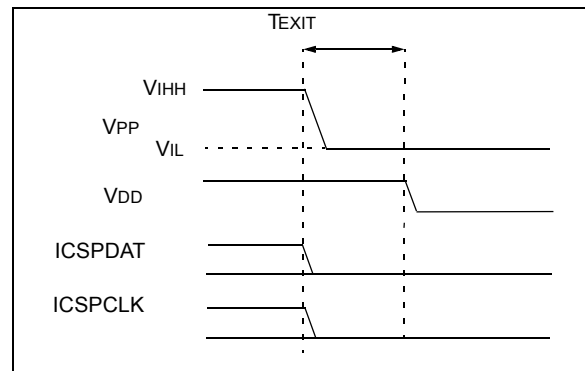


FIGURE 8-4: PROGRAMMING MODE EXIT – VDD LAST



PIC12(L)F1571/2

FIGURE 8-5: CLOCK AND DATA TIMING

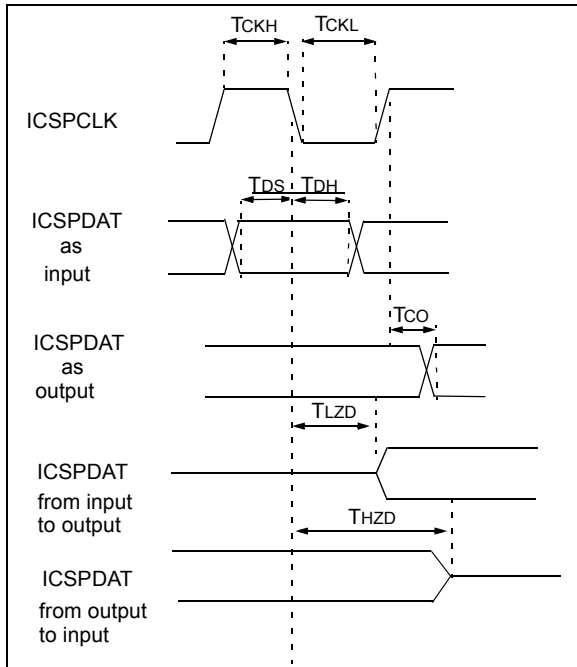


FIGURE 8-6: WRITE COMMAND – PAYLOAD TIMING

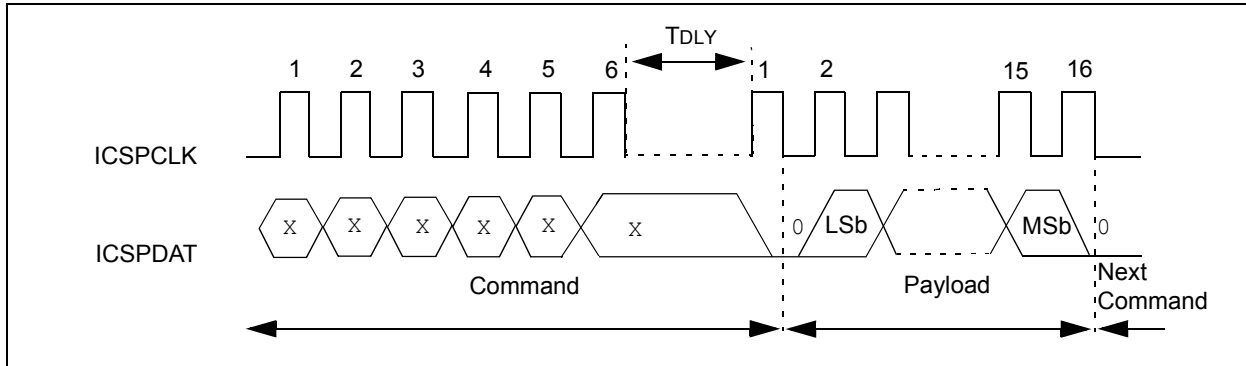


FIGURE 8-7: READ COMMAND – PAYLOAD TIMING

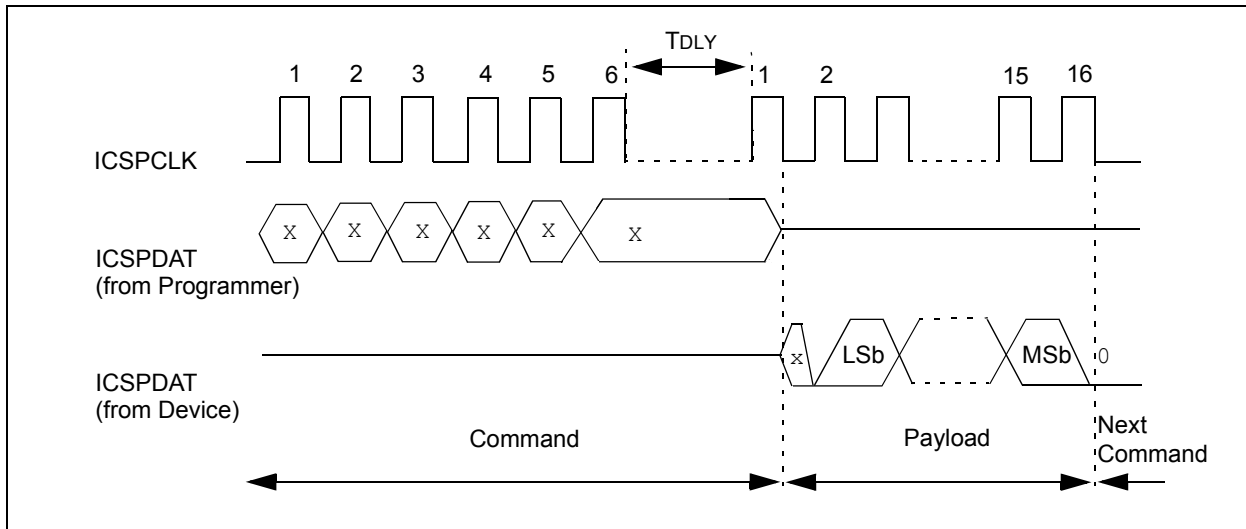


FIGURE 8-8: LVP ENTRY (POWERING UP)

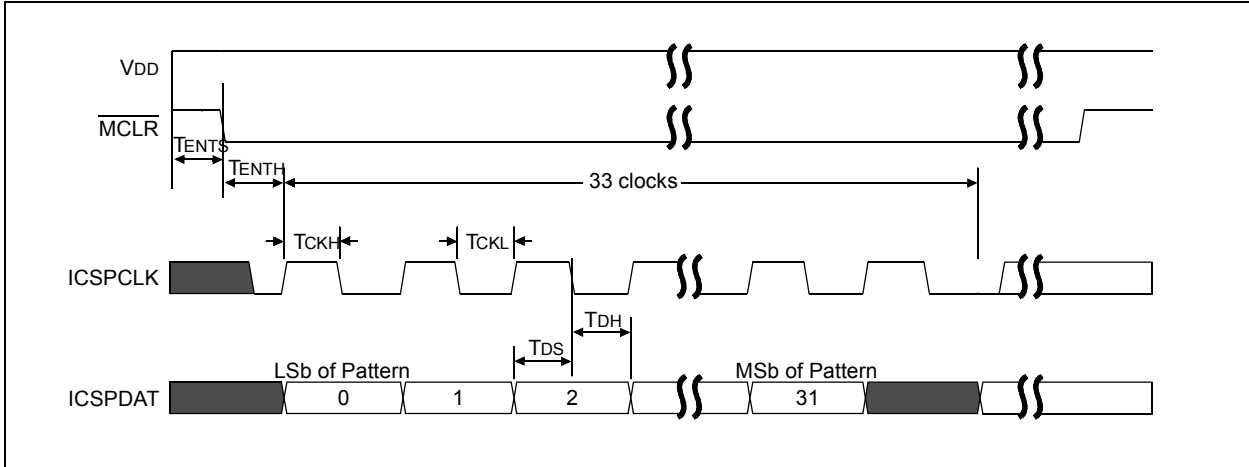
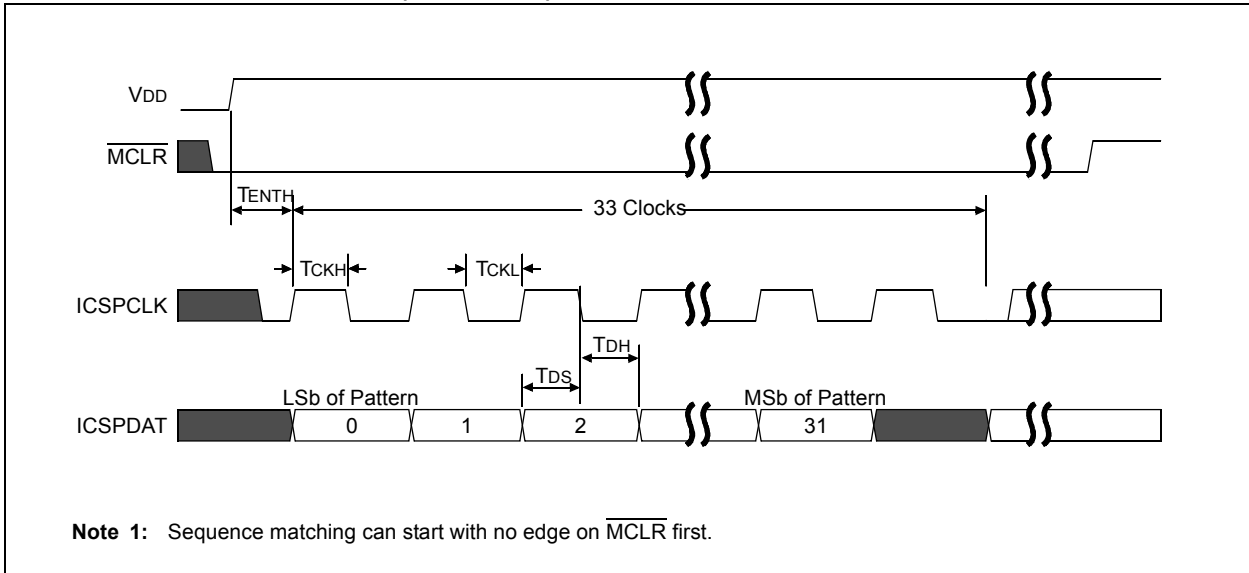


FIGURE 8-9: LVP ENTRY (POWERED)



PIC12(L)F1571/2

APPENDIX A: REVISION HISTORY

Revision A (06/2013)

Initial release of this document.

Note the following details of the code protection feature on Microchip devices:

- Microchip products meet the specification contained in their particular Microchip Data Sheet.
- Microchip believes that its family of products is one of the most secure families of its kind on the market today, when used in the intended manner and under normal conditions.
- There are dishonest and possibly illegal methods used to breach the code protection feature. All of these methods, to our knowledge, require using the Microchip products in a manner outside the operating specifications contained in Microchip's Data Sheets. Most likely, the person doing so is engaged in theft of intellectual property.
- Microchip is willing to work with the customer who is concerned about the integrity of their code.
- Neither Microchip nor any other semiconductor manufacturer can guarantee the security of their code. Code protection does not mean that we are guaranteeing the product as “unbreakable.”

Code protection is constantly evolving. We at Microchip are committed to continuously improving the code protection features of our products. Attempts to break Microchip's code protection feature may be a violation of the Digital Millennium Copyright Act. If such acts allow unauthorized access to your software or other copyrighted work, you may have a right to sue for relief under that Act.

Information contained in this publication regarding device applications and the like is provided only for your convenience and may be superseded by updates. It is your responsibility to ensure that your application meets with your specifications. MICROCHIP MAKES NO REPRESENTATIONS OR WARRANTIES OF ANY KIND WHETHER EXPRESS OR IMPLIED, WRITTEN OR ORAL, STATUTORY OR OTHERWISE, RELATED TO THE INFORMATION, INCLUDING BUT NOT LIMITED TO ITS CONDITION, QUALITY, PERFORMANCE, MERCHANTABILITY OR FITNESS FOR PURPOSE. Microchip disclaims all liability arising from this information and its use. Use of Microchip devices in life support and/or safety applications is entirely at the buyer's risk, and the buyer agrees to defend, indemnify and hold harmless Microchip from any and all damages, claims, suits, or expenses resulting from such use. No licenses are conveyed, implicitly or otherwise, under any Microchip intellectual property rights.

Trademarks

The Microchip name and logo, the Microchip logo, dsPIC, FlashFlex, KEELOQ, KEELOQ logo, MPLAB, PIC, PICmicro, PICSTART, PIC³² logo, rPIC, SST, SST Logo, SuperFlash and UNI/O are registered trademarks of Microchip Technology Incorporated in the U.S.A. and other countries.

FilterLab, Hampshire, HI-TECH C, Linear Active Thermistor, MTP, SEEVAL and The Embedded Control Solutions Company are registered trademarks of Microchip Technology Incorporated in the U.S.A.

Silicon Storage Technology is a registered trademark of Microchip Technology Inc. in other countries.

Analog-for-the-Digital Age, Application Maestro, BodyCom, chipKIT, chipKIT logo, CodeGuard, dsPICDEM, dsPICDEM.net, dsPICworks, dsSPEAK, ECAN, ECONOMONITOR, FanSense, HI-TIDE, In-Circuit Serial Programming, ICSP, Mindi, MiWi, MPASM, MPF, MPLAB Certified logo, MPLIB, MPLINK, mTouch, Omniclient Code Generation, PICC, PICC-18, PICDEM, PICDEM.net, PICkit, PICtail, REAL ICE, rLAB, Select Mode, SQI, Serial Quad I/O, Total Endurance, TSHARC, UniWinDriver, WiperLock, ZENA and Z-Scale are trademarks of Microchip Technology Incorporated in the U.S.A. and other countries.

SQTP is a service mark of Microchip Technology Incorporated in the U.S.A.

GestIC and ULPP are registered trademarks of Microchip Technology Germany II GmbH & Co. KG, a subsidiary of Microchip Technology Inc., in other countries.

All other trademarks mentioned herein are property of their respective companies.

© 2013, Microchip Technology Incorporated, Printed in the U.S.A., All Rights Reserved.

 Printed on recycled paper.

ISBN: 9781620772652

QUALITY MANAGEMENT SYSTEM
CERTIFIED BY DNV
== ISO/TS 16949 ==

Microchip received ISO/TS-16949:2009 certification for its worldwide headquarters, design and wafer fabrication facilities in Chandler and Tempe, Arizona; Gresham, Oregon and design centers in California and India. The Company's quality system processes and procedures are for its PIC[®] MCUs and dsPIC[®] DSCs, KEELOQ[®] code hopping devices, Serial EEPROMs, microperipherals, nonvolatile memory and analog products. In addition, Microchip's quality system for the design and manufacture of development systems is ISO 9001:2000 certified.



MICROCHIP

Worldwide Sales and Service

AMERICAS

Corporate Office
2355 West Chandler Blvd.
Chandler, AZ 85224-6199
Tel: 480-792-7200
Fax: 480-792-7277
Technical Support:
<http://www.microchip.com/support>
Web Address:
www.microchip.com

Atlanta
Duluth, GA
Tel: 678-957-9614
Fax: 678-957-1455

Boston
Westborough, MA
Tel: 774-760-0087
Fax: 774-760-0088

Chicago
Itasca, IL
Tel: 630-285-0071
Fax: 630-285-0075

Cleveland
Independence, OH
Tel: 216-447-0464
Fax: 216-447-0643

Dallas
Addison, TX
Tel: 972-818-7423
Fax: 972-818-2924

Detroit
Farmington Hills, MI
Tel: 248-538-2250
Fax: 248-538-2260

Indianapolis
Noblesville, IN
Tel: 317-773-8323
Fax: 317-773-5453

Los Angeles
Mission Viejo, CA
Tel: 949-462-9523
Fax: 949-462-9608

Santa Clara
Santa Clara, CA
Tel: 408-961-6444
Fax: 408-961-6445

Toronto
Mississauga, Ontario,
Canada
Tel: 905-673-0699
Fax: 905-673-6509

ASIA/PACIFIC

Asia Pacific Office
Suites 3707-14, 37th Floor
Tower 6, The Gateway
Harbour City, Kowloon
Hong Kong
Tel: 852-2401-1200
Fax: 852-2401-3431

Australia - Sydney
Tel: 61-2-9868-6733
Fax: 61-2-9868-6755

China - Beijing
Tel: 86-10-8569-7000
Fax: 86-10-8528-2104

China - Chengdu
Tel: 86-28-8665-5511
Fax: 86-28-8665-7889

China - Chongqing
Tel: 86-23-8980-9588
Fax: 86-23-8980-9500

China - Hangzhou
Tel: 86-571-2819-3187
Fax: 86-571-2819-3189

China - Hong Kong SAR
Tel: 852-2943-5100
Fax: 852-2401-3431

China - Nanjing
Tel: 86-25-8473-2460
Fax: 86-25-8473-2470

China - Qingdao
Tel: 86-532-8502-7355
Fax: 86-532-8502-7205

China - Shanghai
Tel: 86-21-5407-5533
Fax: 86-21-5407-5066

China - Shenyang
Tel: 86-24-2334-2829
Fax: 86-24-2334-2393

China - Shenzhen
Tel: 86-755-8864-2200
Fax: 86-755-8203-1760

China - Wuhan
Tel: 86-27-5980-5300
Fax: 86-27-5980-5118

China - Xian
Tel: 86-29-8833-7252
Fax: 86-29-8833-7256

China - Xiamen
Tel: 86-592-2388138
Fax: 86-592-2388130

China - Zhuhai
Tel: 86-756-3210040
Fax: 86-756-3210049

ASIA/PACIFIC

India - Bangalore
Tel: 91-80-3090-4444
Fax: 91-80-3090-4123

India - New Delhi
Tel: 91-11-4160-8631
Fax: 91-11-4160-8632

India - Pune
Tel: 91-20-2566-1512
Fax: 91-20-2566-1513

Japan - Osaka
Tel: 81-6-6152-7160
Fax: 81-6-6152-9310

Japan - Tokyo
Tel: 81-3-6880-3770
Fax: 81-3-6880-3771

Korea - Daegu
Tel: 82-53-744-4301
Fax: 82-53-744-4302

Korea - Seoul
Tel: 82-2-554-7200
Fax: 82-2-558-5932 or
82-2-558-5934

Malaysia - Kuala Lumpur
Tel: 60-3-6201-9857
Fax: 60-3-6201-9859

Malaysia - Penang
Tel: 60-4-227-8870
Fax: 60-4-227-4068

Philippines - Manila
Tel: 63-2-634-9065
Fax: 63-2-634-9069

Singapore
Tel: 65-6334-8870
Fax: 65-6334-8850

Taiwan - Hsin Chu
Tel: 886-3-5778-366
Fax: 886-3-5770-955

Taiwan - Kaohsiung
Tel: 886-7-213-7828
Fax: 886-7-330-9305

Taiwan - Taipei
Tel: 886-2-2508-8600
Fax: 886-2-2508-0102

Thailand - Bangkok
Tel: 66-2-694-1351
Fax: 66-2-694-1350

EUROPE

Austria - Wels
Tel: 43-7242-2244-39
Fax: 43-7242-2244-393

Denmark - Copenhagen
Tel: 45-4450-2828
Fax: 45-4485-2829

France - Paris
Tel: 33-1-69-53-63-20
Fax: 33-1-69-30-90-79

Germany - Munich
Tel: 49-89-627-144-0
Fax: 49-89-627-144-44

Italy - Milan
Tel: 39-0331-742611
Fax: 39-0331-466781

Netherlands - Drunen
Tel: 31-416-690399
Fax: 31-416-690340

Spain - Madrid
Tel: 34-91-708-08-90
Fax: 34-91-708-08-91

UK - Wokingham
Tel: 44-118-921-5869
Fax: 44-118-921-5820

11/29/12