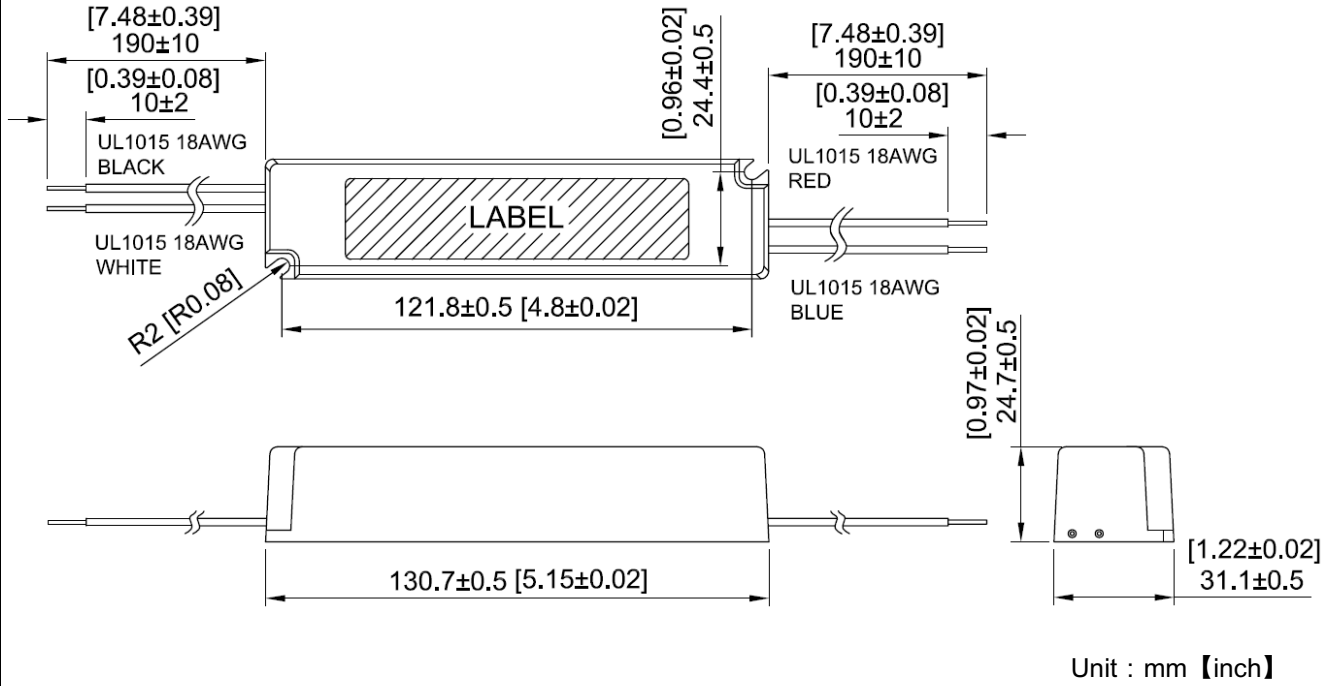


Model NO.	LSP200224001	Model Name	LED Power Supply
Part NO.	PLSP200224001	SIZE	130.7 * 31.1 * 24.7 mm 【5.15 * 1.22 * 0.97 inch】

Dimensions



※Reference

www.linkcom.com.tw For more information, please contact with :sales@linkcom.com.tw