

# Rocker Switch

## Single Pole SR Series – SRJ



### Features

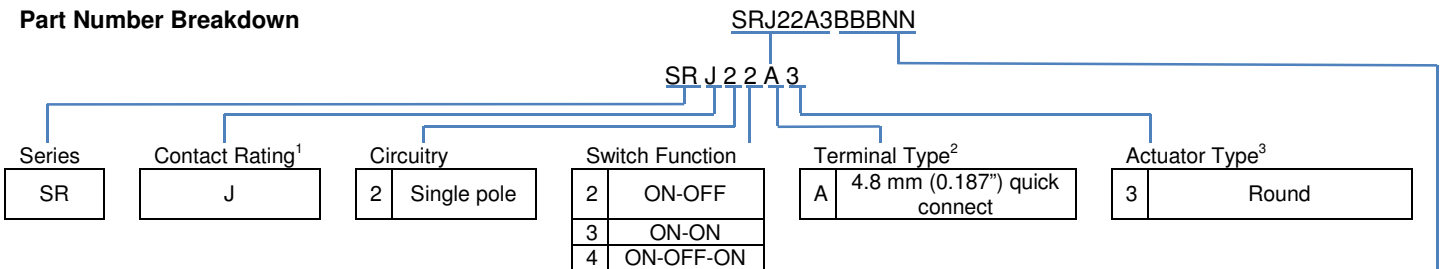
- Self-locking tabs
- Minimum 50,000 operations mechanical life
- RoHS compliant

### Standard Parts<sup>1</sup>

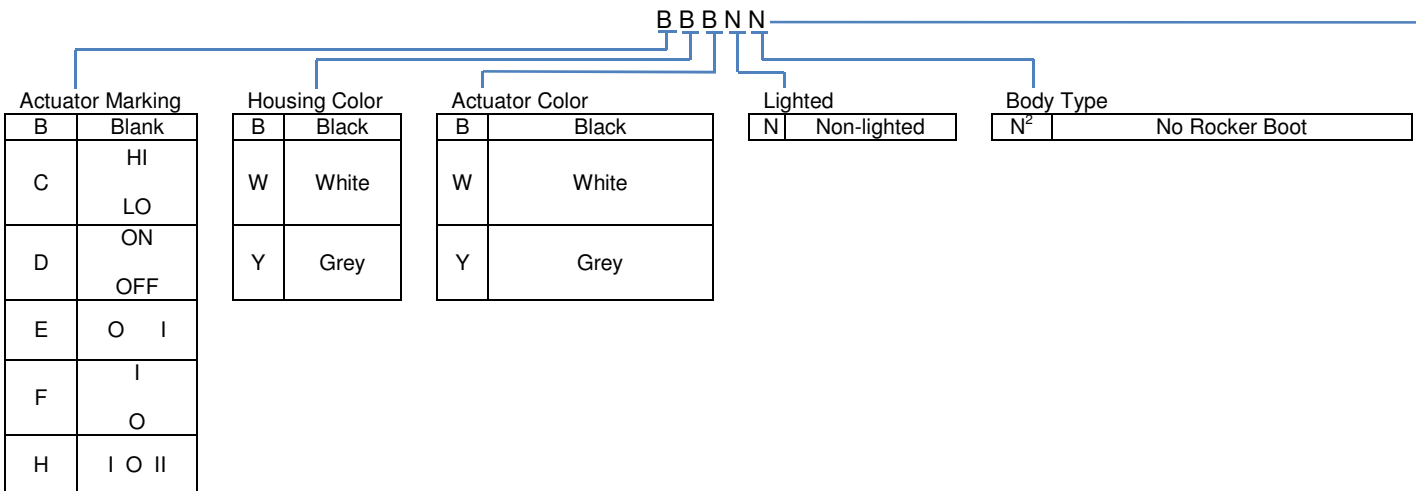
North America and Europe			
SRJ22A3BBBNN	SRJ23A3BBBNN	SRJ24A3BBBNN	SRJ24A3HBBNN

<sup>1</sup>The part number configuration matrix below provides details to the part numbers above. For configurable part numbers that are not listed above, contact the factory or your distributor.


### Part Number Breakdown



<sup>1</sup>See Electrical Specifications section



<sup>2</sup>A splash-proof boot can be ordered separately as part number 00150751

PLEASE NOTE  
  
**CHERRY**  
 will become  
**ZF** in 2017.

## Electrical Specifications

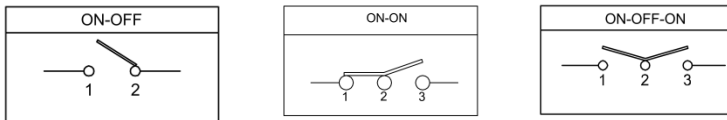
Inrush Rating – 2 Position		48 A
Inrush Rating – 3 Position		24 A
Dielectric Strength		1000 VAC for 1 minute
Insulation Resistance		100 M $\Omega$ min at 500 VDC
Initial Contact Resistance		0.020 $\Omega$ max
Switch Function	<u>EN61058-1 Rating</u>	<u>UL General Purpose Rating</u>
All	N/A	20 A 125 VAC / 12 A 250 VAC
Electrical Life at Rated Load	<u>VDE</u>	<u>UL</u>
Minimum Operations	N/A	6,000

UL File No: E23301

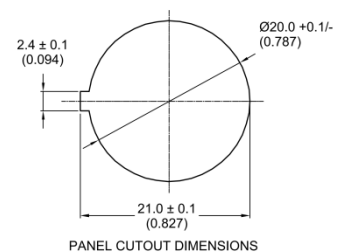
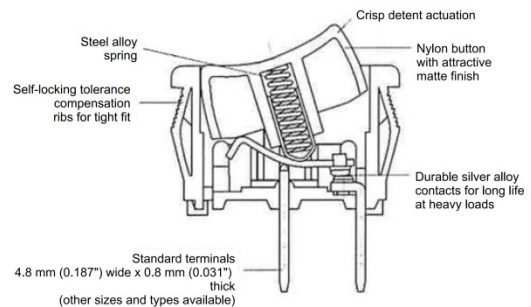
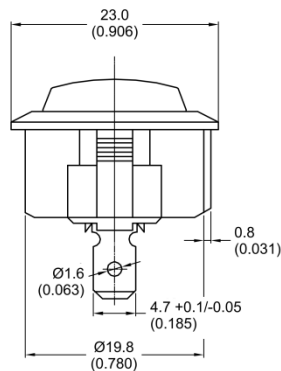
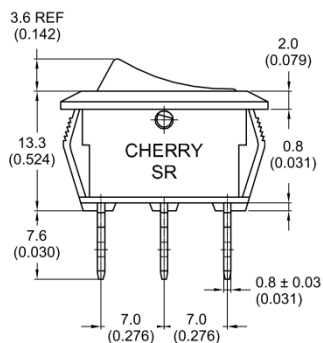
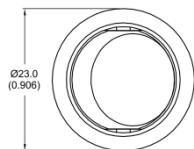
## Material and Environmental Specifications

Actuator		Nylon 66 94V-2
Base		Nylon 66 94V-2
Spring		Steel Wire
Contacts		Silver Alloy
Movable Arm		Silver-Plated Copper Alloy
Terminals		Tin-Plated Copper Alloy
Operating Temperature Range		-20 °C to +65 °C (-4 °F to +149 °F)

## Circuitry and Switch Functions



## Dimensions mm (inches)



NOTE: TOLERANCES  $\pm$  0.3 (0.012) UNLESS OTHERWISE SPECIFIED