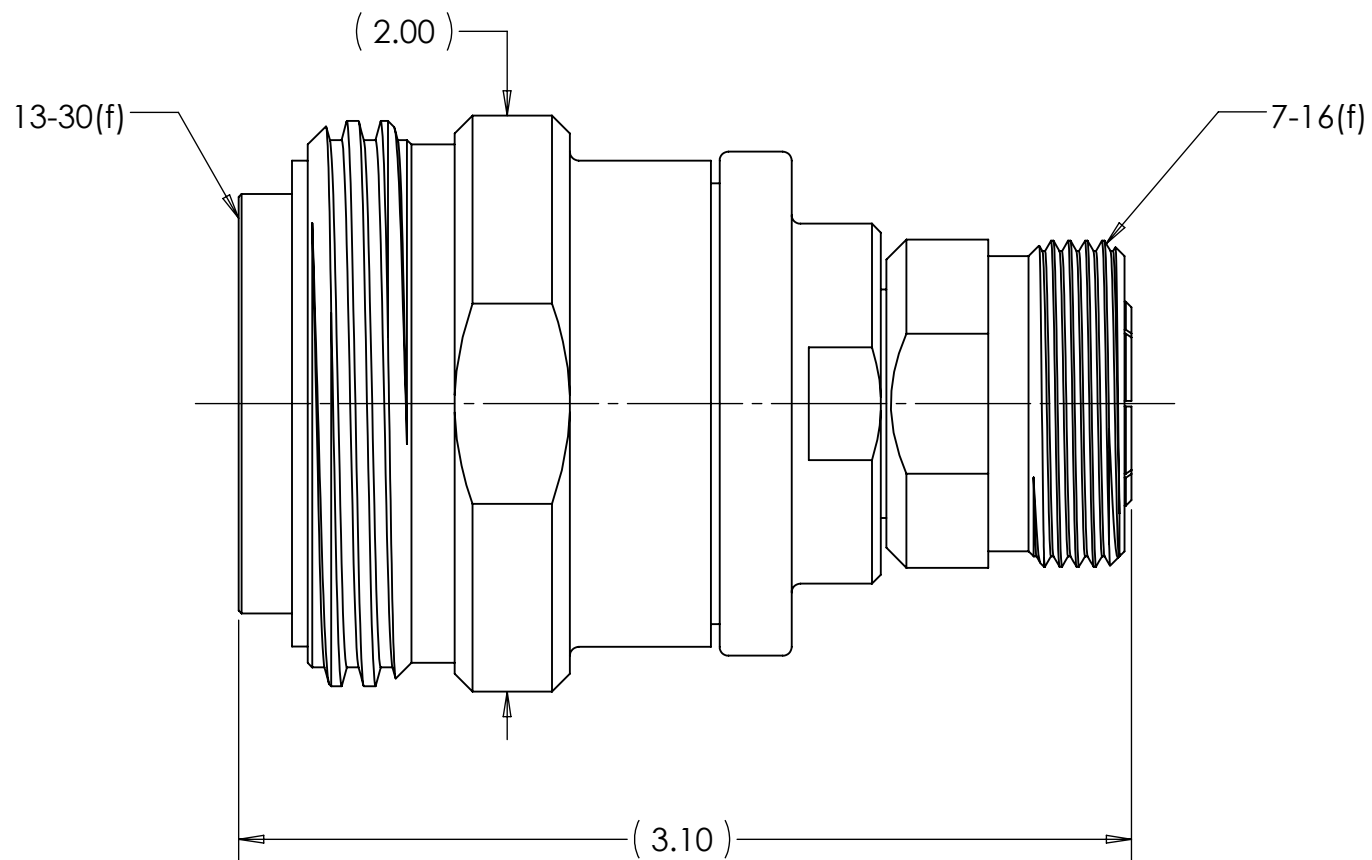
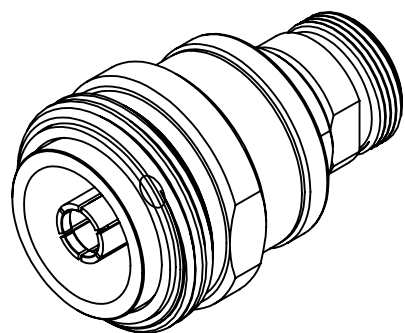


This document, including the design, configuration and mechanical features revealed herein are the sole, confidential and proprietary property of TRU Corporation. Reproduction or use thereof, in whole or part, is prohibited without the prior written consent of TRU Corporation.

REV.	DESCRIPTION	DATE	APPROVED
-	ORIGINAL ISSUE	12/28/11	AM



**ENGINEERING DATA:**

ELECTRICAL:

IMPEDANCE: 50 OHMS NOMINAL  
 FREQUENCY RANGE: DC to 4GHZ

MECHANICAL:

INTERFACE: 13-30 PER IEC 60169-5  
 7-16 PER DIN 47223

MATERIAL:


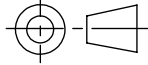
CENTER CONTACTS: BRASS & BERYLLIUM COPPER  
 INSULATORS: PTFE  
 BODIES: BRASS  
 GASKET: SILICONE RUBBER

FINISH:

CENTER CONTACTS: SILVER PLATED  
 BODIES: NICKEL PLATED

NOTES:

- UNLESS OTHERWISE SPECIFIED; ALL DIMENSIONS ARE FOR REFERENCE ONLY.

MATERIAL	DO NOT SCALE DRAWING	DRAWN AM	DATE 12/27/11	 <b>TRU Corporation</b> 245 Lynnfield St, Peabody, MA 01960 <i>EXPERIENCE. TRU INNOVATION.</i>		
	COMMENTS:  surface area: sq inch      weight: 1.11 lbs	UNLESS OTHERWISE SPECIFIED: DIMENSIONS ARE IN INCHES	ENG APPR. AM		DATE 12/27/11	TITLE:  CONNECTOR, COAXIAL 13-30(f) to 7-16(f) ADAPTER
TOLERANCES: FRACTIONS: ±1/64 .XX : ±.01 .XXX: ±.005 ANGLES: ±1/2° MACHINED SURFACES: 63/√		MFG APPR.	DATE	SIZE <b>B</b>	DWG. NO. TRU-11883	
		OTHER APPR.	DATE	THIRD ANGLE PROJECTION 	REV -	
				CAGE CODE: 92180	SCALE: 3:2	SHEET 1 OF 1