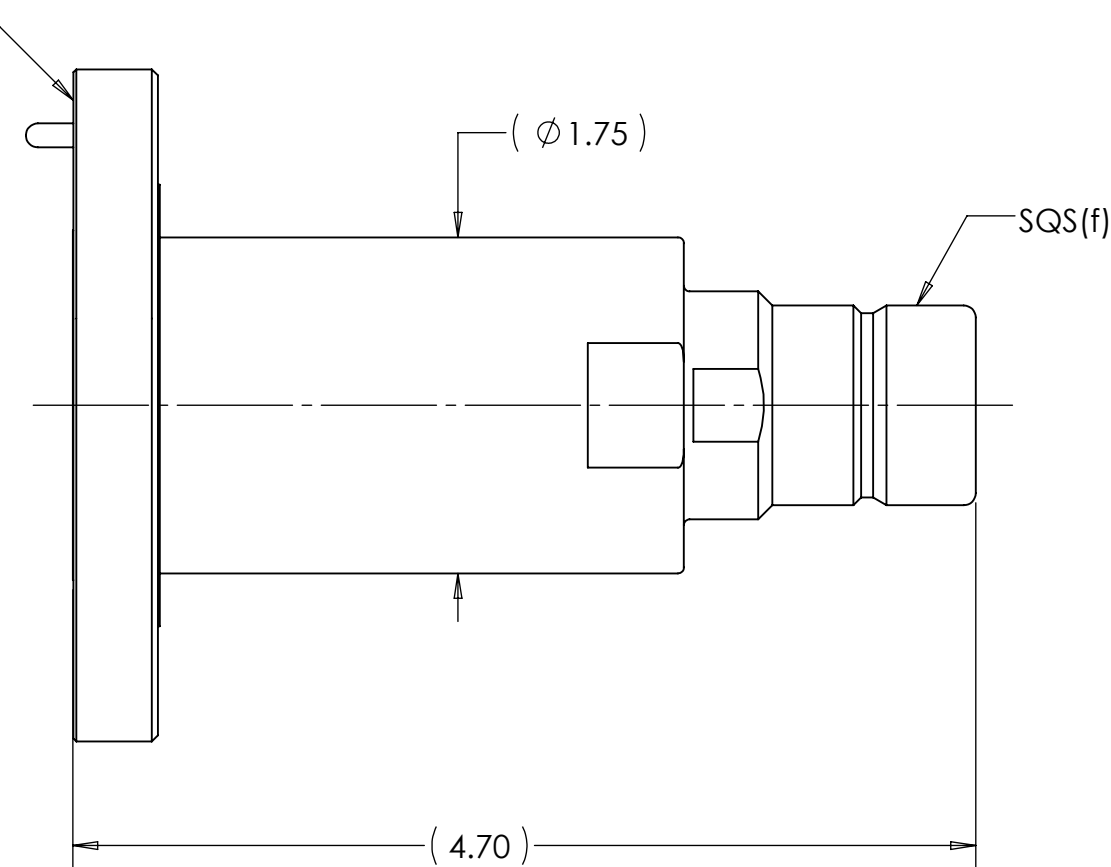
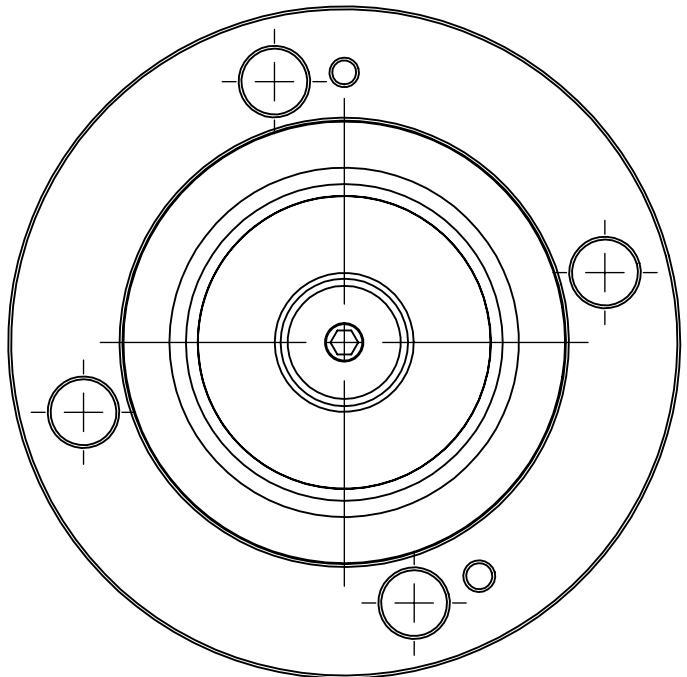
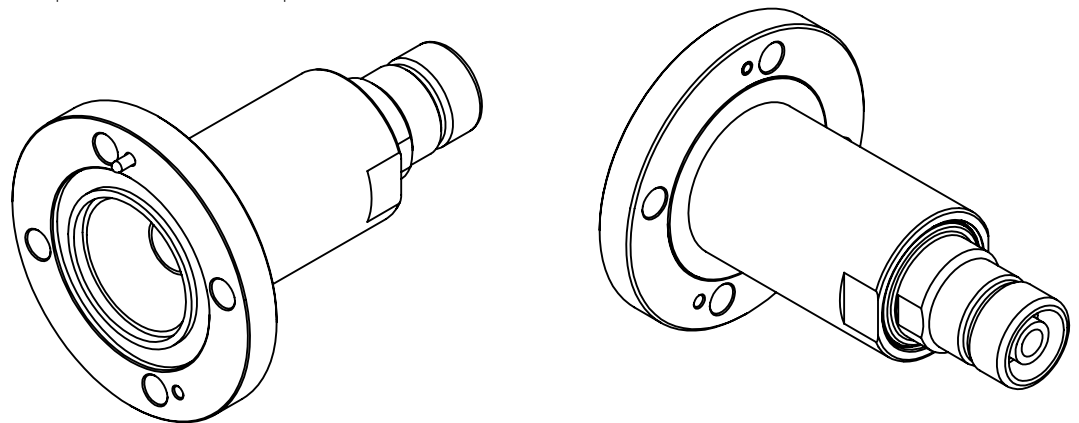


This document, including the design, configuration and mechanical features revealed herein are the sole, confidential and proprietary property of TRU Corporation. Reproduction or use thereof, in whole or part, is prohibited without the prior written consent of TRU Corporation.

REV.	DESCRIPTION	DATE	APPROVED
-	ORIGINAL ISSUE	02/17/12	AM



ENGINEERING DATA

ELECTRICAL:
 IMPEDANCE: 50 OHMS NOMINAL

INTERFACE:
 1-5/8 EIA: PER EIA RS-225 & MIL-DTL-24044
 SWIVEL FLANGE W/ALIGNMENT PIN
 SQS(f): PER TRU STANDARD

MATERIAL:
 BODIES & COUPLING RING: BRASS
 CENTER CONTACTS: BRASS & BERYLLIUM COPPER
 INSULATORS: PTFE

FINISH:
 BODIES & COUPLING RING: NICKEL PLATED
 CENTER CONTACTS: SILVER PLATED

NOTES:
 1. UNLESS OTHERWISE SPECIFIED; ALL DIMENSIONS ARE FOR REFERENCE ONLY.

MATERIAL	DO NOT SCALE DRAWING	DRAWN AM	DATE 02/10/12
COMMENTS:	UNLESS OTHERWISE SPECIFIED: DIMENSIONS ARE IN INCHES TOLERANCES: FRACTIONS: ±1/64 .XX : ±.01 .XXX: ±.005 ANGLES: ±1/2° MACHINED SURFACES: 63/√	ENG APPR. AM	DATE 02/17/12
		MFG APPR.	DATE
		OTHER APPR.	DATE
surface area: sq inch	weight: lbs	THIRD ANGLE PROJECTION 	

		TRU Corporation 245 Lynnfield St, Peabody, MA 01960	
TITLE: CONNECTOR, COAXIAL 1-5/8 EIA(f) to SQS(f) ADAPTER			
SIZE B	DWG. NO. TRU-11928	REV -	
CAGE CODE: 92180	SCALE: 1:1	SHEET 1 OF 1	