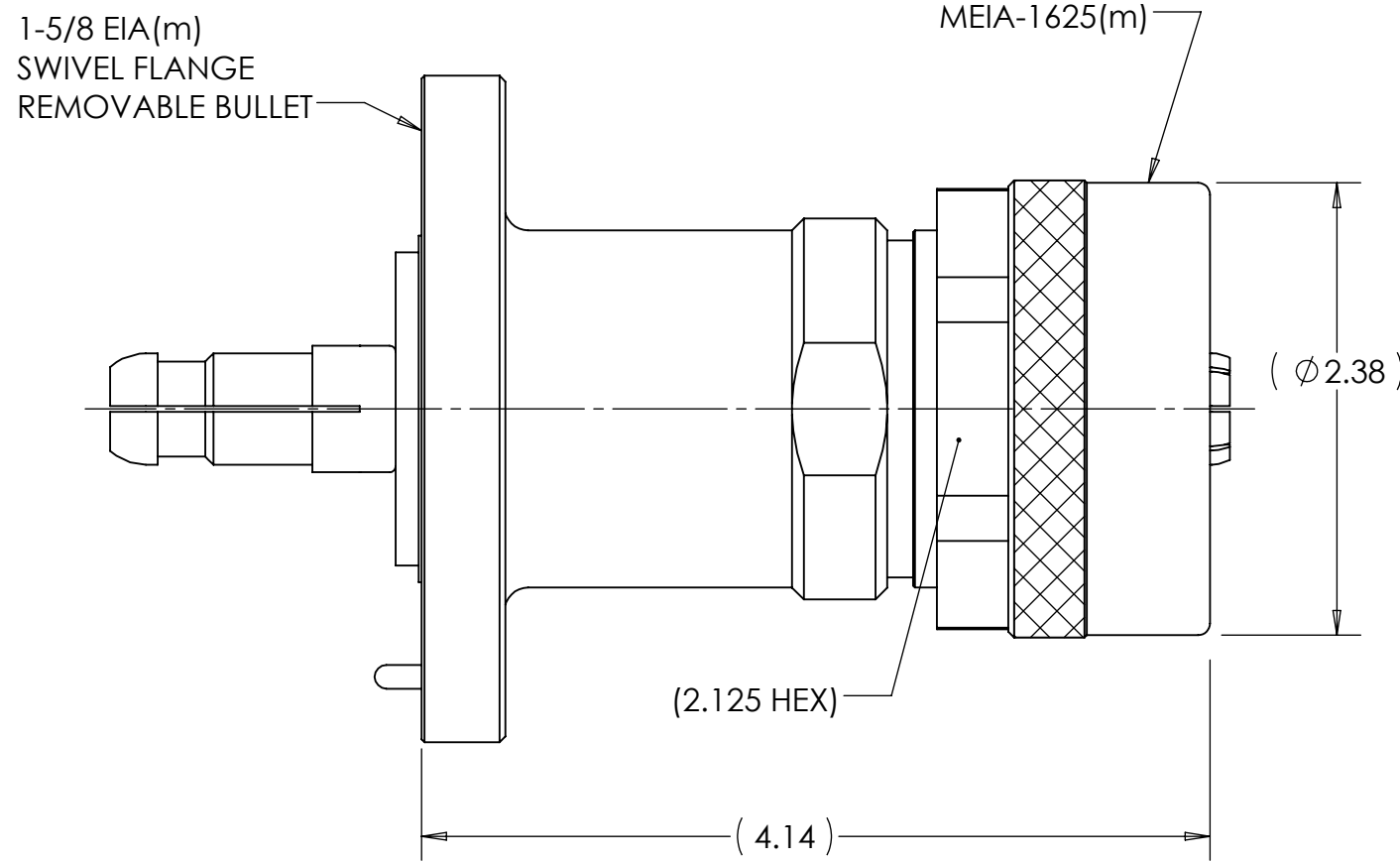
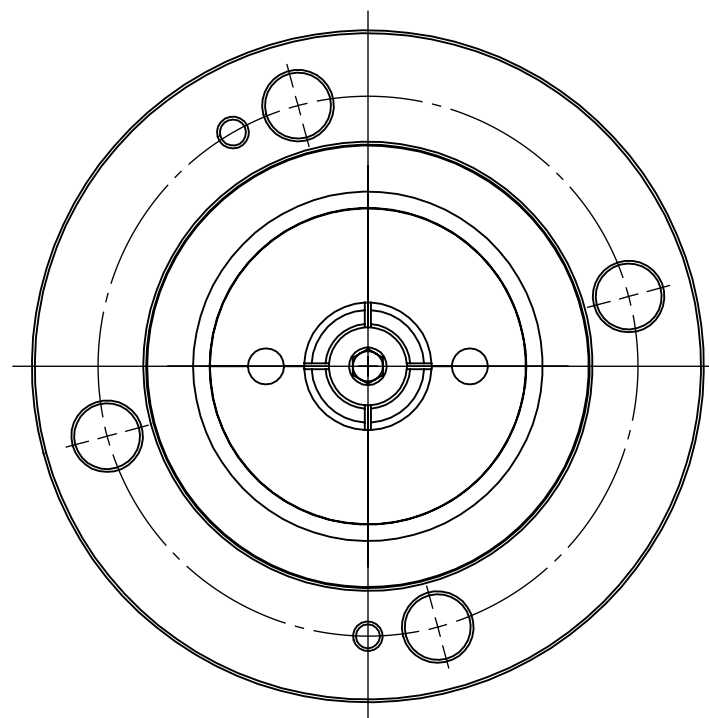
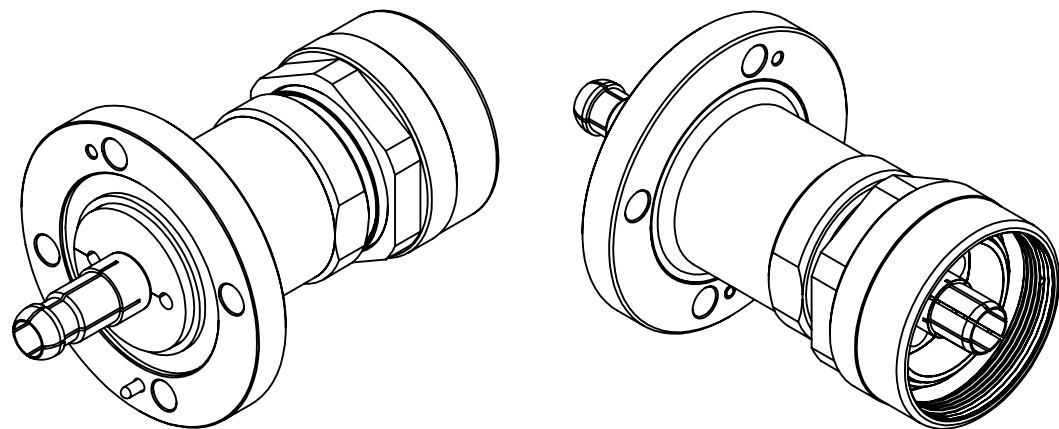


This document, including the design, configuration and mechanical features revealed herein are the sole, confidential and proprietary property of TRU Corporation. Reproduction or use thereof, in whole or part, is prohibited without the prior written consent of TRU Corporation.

REV.	DESCRIPTION	DATE	APPROVED
-	ORIGINAL ISSUE	10/03/13	AM
A	CHANGE PER ECO 4453	02/10/14	TE



ENGINEERING DATA


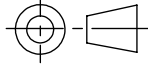
ELECTRICAL:
IMPEDANCE: 50 OHMS NOMINAL

MECHANICAL:
INTERFACE: MEIA-1625(m) per TRU SPEC
1-5/8 EIA per EIA RS-225

MATERIAL:
MEIA CONTACT: BERYLLIUM COPPER
OTHER CONTACTS: BRASS
INSULATORS: PTFE
HOUSING, FLANGE, & COUPLING NUT: BRASS
O-RING: SILICONE RUBBER

FINISH:
CONTACTS: SILVER PLATED
HOUSING, FLANGE, COUPLING NUT: NICKEL PLATED

- NOTES:**
- UNLESS OTHERWISE SPECIFIED; ALL DIMENSIONS ARE FOR REFERENCE ONLY.
 - SUPPLIED WITH THE FOLLOWING ITEMS:
 - QTY 4 5/16-18 X 1.50 HEX HEAD BOLT
 - QTY 4 5/16-18 HEX NUT
 - QTY 8 5/16 LOCKWASHER
 - QTY 1 O-RING

MATERIAL	DO NOT SCALE DRAWING	DRAWN AM	DATE 09/30/13	 <p>TRU Corporation 245 Lynnfield St, Peabody, MA 01960</p>		
	COMMENTS:	UNLESS OTHERWISE SPECIFIED: DIMENSIONS ARE IN INCHES	ENG APPR. AM		DATE 10/01/13	
surface area: sq inch		weight: 2.857 lbs	TOLERANCES: FRACTIONS: $\pm 1/64$.XX : $\pm .01$.XXX: $\pm .005$ ANGLES: $\pm 1/2^\circ$	MFG APPR.	DATE	
	MACHINED SURFACES: \checkmark 63/		OTHER APPR.	DATE	TITLE: CONNECTOR, COAXIAL 1-5/8 EIA(m) to MEIA-1625(m) ADAPTER	
			THIRD ANGLE PROJECTION	SIZE B	DWG. NO. TRU-12495	REV A
				CAGE CODE: 92180	SCALE: 1:1	SHEET 1 OF 1