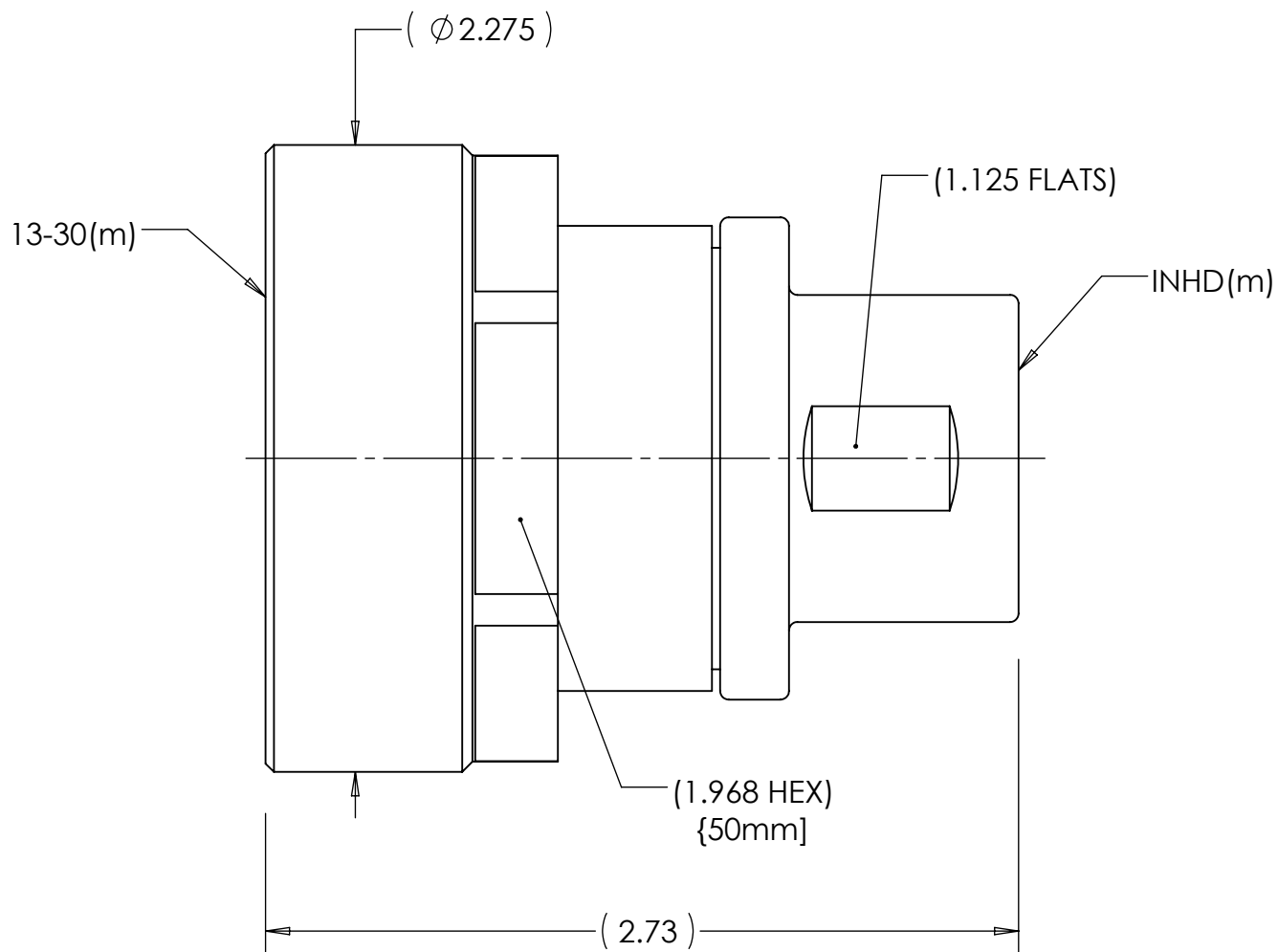
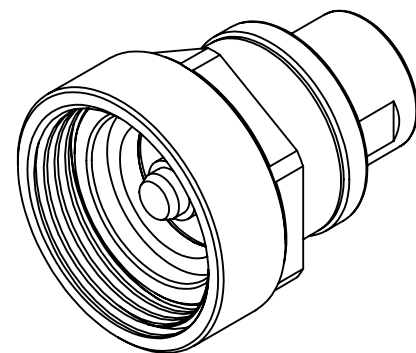


This document, including the design, configuration and mechanical features revealed herein are the sole, confidential and proprietary property of TRU Corporation. Reproduction or use thereof, in whole or part, is prohibited without the prior written consent of TRU Corporation.

REV.	DESCRIPTION	DATE	APPROVED
-	ORIGINAL ISSUE	06/17/14	AM



ENGINEERING DATA:

ELECTRICAL:
IMPEDANCE: 50 OHMS NOMINAL


MECHANICAL:
INTERFACE: 13-30 PER IEC 60169-5
INHD(m) PER TRU SPEC

MATERIAL:
CENTER CONTACTS: BRASS
INSULATORS: PTFE
BODIES & COUPLING NUT: BRASS

FINISH:
CENTER CONTACTS: SILVER PLATED
BODIES & COUPLING NUT: NICKEL PLATED

NOTES:

- UNLESS OTHERWISE SPECIFIED; ALL DIMENSIONS ARE FOR REFERENCE ONLY.
- INHD(m) MATES WITH TRU HIGH POWER TEST CABLE ASSEMBLY.

MATERIAL	DO NOT SCALE DRAWING	DRAWN AM	DATE 06/16/14	 TRU Corporation 245 Lynnfield St, Peabody, MA 01960
	UNLESS OTHERWISE SPECIFIED: DIMENSIONS ARE IN INCHES	ENG APPR. AM	DATE 06/16/14	
COMMENTS:	TOLERANCES: FRACTIONS: ±1/64 .XX : ±.01 .XXX: ±.005 ANGLES: ±1/2° MACHINED SURFACES: 63/√	MFG APPR.	DATE	TITLE: CONNECTOR, COAXIAL 13-30(m) REPLACEABLE CONNECTOR
		OTHER APPR.	DATE	
surface area: sq inch	weight: 1.10 lbs	THIRD ANGLE PROJECTION		SIZE B DWG. NO. TRU-12710 REV - CAGE CODE: 92180 SCALE: 3:2 SHEET 1 OF 1