

ATLANTIC VERSION TERMINATOR INTERFACE ADAPTER	PART NUMBER	REVISION	DESCRIPTION	FEED TYPE	APPLICATOR STYLE CONVERSION CHART						
					CONVERT TO	PART NUMBERS REQUIRED					
	2150380-1	C	FINE CRIMP HEIGHT ADJUST	MECHANICAL	PNEUMATIC FEED	2119950-1	2119792-2	-	2119641-1	-	2063440-1
					SERVO LATCH PLATE	2119951-1	1901697-1	8-2150380-5	-	-	2168400-7 (QUANTITY 2)
					SMART APPLICATOR	2161326-1	-	8-2150380-4	-	-	-
	2150380-2	C	FINE CRIMP HEIGHT ADJUST	PNEUMATIC	MECHANICAL FEED	2119949-1	2063961-1	5-18022-5	2119653-1	-	-
					SERVO LATCH PLATE	2119951-1	1901697-1	8-2150380-5	-	-	2168400-7 (QUANTITY 2)
					SMART APPLICATOR	2161326-1	-	8-2150380-4	-	-	-
	2150380-5	C	FINE CRIMP HEIGHT ADJUST	SERVO LATCH PLATE ⁴	MECHANICAL FEED	2119949-1	2063961-1	5-18022-5	2119653-1	-	-
					PNEUMATIC FEED	2119950-1	2119792-2	-	2119641-1	-	2063440-1
	2150380-6	C	NON-CRIMP HEIGHT ADJUST	SERVO LATCH PLATE ⁴	-	-	-	-	-	-	-
					-	-	-	-	-	-	-
	2150380-7	C	FINE CRIMP HEIGHT ADJUST	NONE	-	-	-	-	-	-	-
	7-2150380-7	A	CRIMP TOOLING KIT	-	-	-	-	-	-	-	-

APPLICATOR DATA		
CRIMP	SIZE	TYPE
WIRE	2.79 mm [.110]	F
INSUL	4.06 mm [.160]	F
APPLICATOR INSTRUCTIONS 408-10390		

TERMINAL DATA: TE TERMINAL		TE CRIMP SPECIFICATION	
TERMINAL NAME: RING			
WIRE STRIP LENGTH		INSULATION DIAMETER RANGE	
5.08-5.97 mm [.200-.235 IN]		Ø2.54-3.56 mm [.100-.140 IN]	
TERMINAL APPLICATION SPECIFICATION	114-2084		
TERMINALS APPLIED			
TE TERMINAL	TE TERMINAL	TE TERMINAL	TE TERMINAL
60770-1	60770-2	60771-1	60771-2
60771-3	60772-1	60772-2	60773-2
60774-1	60774-2	60775-1	60775-2

WIRE SIZE	CRIMP HEIGHT mm [INCH]	CRIMP HEIGHT REFERENCE SETTING
14 AWG	1.88+/-0.05 [.074+/-0.002]	4.5
16 AWG	1.70+/-0.05 [.067+/-0.002]	6.4
1.00mm2	1.60+/-0.05 [.063+/-0.002]	7.4
18 AWG	1.52+/-0.05 [.060+/-0.002]	8.3

- ¹ RECOMMENDED SPARE PARTS
- ² GREASE BEARING SURFACES LIGHTLY
- 3. LUBRICATE DAILY PER THE APPLICATOR INSTRUCTION SHEET SUPPLIED WITH THE APPLICATOR.
- ⁴ APPLICATOR SPECIFIC DATA TO BE ENTERED INTO BLANK MEMORY CHIP AT ASSEMBLY. SEE BELOW FOR PART NUMBER:
 MECHANICAL FEED WITH "SMART APPLICATOR" CONVERSION: 8-2150380-4
 PNEUMATIC FEED WITH "SMART APPLICATOR" CONVERSION: 8-2150380-4
 SERVO FEED WITH "FINE CRIMP HEIGHT ADJUST": 8-2150380-5
 SERVO FEED WITH "NON-CRIMP HEIGHT ADJUST": 8-2150380-6
- 5. ADJUSTMENT OF THE STRIPPER MAY BE REQUIRED WHEN MOVING THE APPLICATOR BETWEEN BENCH AND LEADMAKER APPLICATIONS.
- ⁶ APPLY PART NUMBER 1-23419-5 LOCTITE TO THREADS OF ITEMS 62, 180 & 242. FOR -6 ONLY APPLY PART NUMBER 1-23419-5 LOCTITE TO THREADS OF ITEMS 37, 180 & 242.
- ⁷ GREASE THREADS, GROOVE AND O-RING ON ITEMS 35 & 252.
- ⁸ MAGNET, ITEM 166 MUST BE ORIENTED CORRECTLY IN ORDER TO PROPERLY ACTUATE THE COUNTER.
- ⁹ CRIMP HEIGHT REFERENCE SETTING WAS THE SETTING USED WHEN THE APPLICATOR WAS QUALIFIED AT THE FACTORY. ADJUSTMENT MAY BE NECESSARY WHEN RUNNING APPLICATOR IN THE FIELD.
- ¹⁰ SPARE FEED CAM STORAGE LOCATION REFER TO INSTRUCTION SHEET FOR ADDITIONAL INFORMATION.
- ¹¹ THE RECOMMENDED SET-UP FOR END FEED APPLICATORS IS POST-FEED WITH ITEM 2119653-1. THE APPLICATOR CAN BE CONFIGURED FOR PRE-FEED WITH ITEM 2119652-1 BUT MAY ENCOUNTER PROBLEMS WITH SOME APPLICATIONS. FEED ISSUES OR TERMINAL JAMMING MAY OCCUR IN THE PRE-FEED CONFIGURATION.
- ¹² WHEN ASSEMBLING -6 NON-CRIMP HEIGHT ADJUST APPLICATOR USE SHIM PACK 2119957-2 TO ALIGN APPLICATOR'S MAXIMUM WIRE CRIMP HEIGHT AT NORMAL TERMINATOR SHUT HEIGHT
- ¹³ SPADE TERMINALS ARE NOT FLANGED DURING APPLICATION IN THIS APPLICATOR.

***WARNING**
 ON INSTALLATION, SET WIRE DISC, ITEM 40 TO LARGEST WIRE SIZE SETTING. USE OF SETTINGS BELOW MINIMUM REQUIRED CRIMP HEIGHT SETTING WILL CAUSE DAMAGE TO CRIMP TOOLING.

-77	-7	-6	-5	-2	-1	PART NO	DESCRIPTION	ITEM NO
-	-	1	-	-	-	2119957-2	APPLICATOR SHIM PACK	260
-	1	-	1	1	1	8-21084-0	O-RING, .676 ID, .070 DIA. MAT.	252
-	-	-	-	1	-	2119640-1	PUSH ROD, AIR FEED	250
-	-	-	-	1	-	2079988-1	BUSHING, LCH5-12, MISUMI	249
-	-	-	-	1	-	2119641-1	FEED CAM, AIR FEED	248
-	1	-	1	1	1	2119798-1	DETENT PIN	247
-	1	-	1	1	1	1-22279-3	SPRING, COMPRESSION	246
-	-	1	-	-	-	2119759-1	RAM, AMP STYLE, END FEED, NON-ADJUST	245
-	1	1	1	1	1	2119082-7	CAM, SNAIL, INSULATION ADJUSTMENT	244

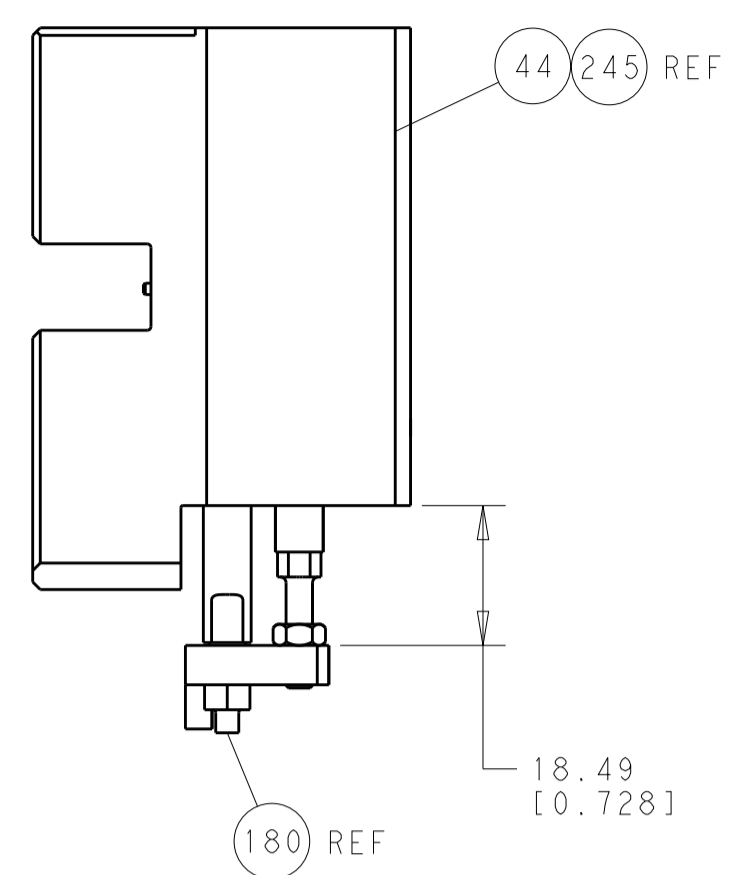
ATLANTIC VERSION
 Shown on sheets 1 of 4 & 2 of 4
 (Pacific version shown on sheets 3 of 4 & 4 of 4)

SET UP GAUGE	LOC	DIST	REVISIONS			
2119599-2	A	66	REV	DATE	BY	APPV
			A	RELEASED		13DEC2013 LG GB
			B	ECR-14-005033		04APR2014 XZ TE
			C	ECR-14-005728		23APR2014 XZ JT

REV	DATE	BY	APPV	DESCRIPTION	DATE	BY	APPV	
-	1	1	1	1	1	2079764-1	WASHER, WAVE SPRING, CREST-TO-CREST	243
-	1	1	1	1	1	2119083-1	RETAINER, INSULATION DIAL	242
-	-	2	2	-	-	2168400-7	SHCS, LOW HEAD, RoHS, M5 X 10	240
-	-	-	-	-	1	2119580-1	MECHANICAL FEED ASSEMBLY	239
-	-	-	-	1	-	2063440-1	AIR FEED MODULE	238
-	-	1	1	-	-	2119740-2	TAG, IDENTIFICATION	213
-	-	REFREF	-	-	-	1901697-1	FEED FINGER ASSEMBLY, EF	183
-	1	1	1	1	1	1-1976055-0	STANDOFF, HOLD-DOWN	180
-	1	1	1	1	1	6-993111-6	PIN, SLOTTED SPRING 3.0 X 14.0	177
-	1	1	1	1	1	8-22280-7	SPRING, COMPRESSION	176
-	1	1	1	1	1	1752353-2	GUIDE PIN, HOLDDOWN	175
-	1	1	1	1	1	1901680-2	GUIDE PIN, HOLDDOWN	174
-	-	-	-	2	-	21045-3	RING, RETAIN, EXTERN, 3/16 CRESCENT	172
-	1	1	1	1	1	994969-1	MAGNET, RARE EARTH HIGH ENERGY	166
-	REFREF	REFREF	REFREF	REFREF	REFREF	994970-2	COUNTER, MAGNETIC	164
-	-	-	-	1	-	240638-1	SPRING, FEED FINGER	163
-	-	-	-	1	-	3-23627-7	PIN, RETAIN, GRVD, 3/16 X .854	137
-	-	REFREF	-	-	-	SEE NOTE 4	MEMORY CHIP, PROGRAMMED	135
-	-	1	1	-	-	1633743-1	SERVO FEED LATCH ASM	133
-	1	1	1	1	1	2079383-5	SCR, BHSC, RoHS (M4 X 20)	92
-	1	1	1	1	1	455888-6	SPACER, CRIMPER	82
-	1	1	1	1	1	2119956-2	DOCUMENTATION PACKAGE	71
-	2	2	2	2	2	2-18032-2	SCR, SET, FLT POINT M3 X 10.0	70
-	1	-	-	1	1	2119740-1	TAG, IDENTIFICATION	67
-	2	2	2	2	2	2168078-1	SCREW, DRIVE, RH, RoHS, 2 x .188	66
-	1	1	1	1	1	1901681-1	HOLDDOWN, TERMINAL	65
-	1	-	1	1	1	2119793-1	LIMITER, ADJUSTMENT BOLT	63
-	3	-	3	3	3	992763-5	SCR, SET, SOC, CONE POINT, M3 x 4.0	62
-	1	1	1	1	1	2079383-4	SCR, BHSC, RoHS (M4 X 8)	60
-	-	-	-	-	1	5-18022-5	SCR, HEX HD CAP, M4 X 6.0	59
-	-	-	-	-	1	2063961-1	FEED FINGER	58
-	4	4	4	4	4	2168400-4	SHCS, LOW HEAD, RoHS, M4 X 8	57
-	2	2	2	2	2	2168083-3	SCR, SKT HD CAP, RoHS, M4 X 12.0	56
-	2	2	2	2	2	5018030-2	NUT, HEX, REG, RoHS, M4	55
-	2	2	2	2	2	5018030-1	NUT, HEX, REG, RoHS, M3	54
-	2	2	2	2	2	986965-8	NUT, LOCK, HEX, TORQUE (M4)	53
-	1	1	1	1	1	1-5018030-0	NUT, HEX, REG, RoHS, M3.5	52
-	-	-	-	1	-	2119792-2	PAWL, EF, AIR	51
-	-	-	-	1	2	18023-9	SCR, SKT HD CAP M4 X 6.0	49
-	-	-	-	-	1	2119652-1	FEED CAM, PRE FEED	48
-	-	-	-	-	1	2119653-1	FEED CAM, POST FEED	47
-	1	1	1	1	1	2119655-5	APPLICATOR BASIC ASSEMBLY, EF	46
-	1	-	1	1	1	2119369-1	RAM, AMP STYLE, END FEED	44
-	1	1	1	1	1	2079383-7	SCR, BHSC, RoHS (M8 X 25)	41
-	1	-	1	1	1	2119645-1	DISC, NUMBERED FA WIRE ADJUSTMENT	40
-	1	-	1	1	1	2119957-1	APPLICATOR SHIM PACK	39
-	1	1	1	1	1	1-2119644-2	RAM WASHER, PRECISION	38
-	1	1	1	1	1	2119085-1	FA HEAD, ATLANTIC STYLE	37
-	1	-	1	1	1	2119092-1	BOLT, ADJUSTMENT	35
-	8	8	8	8	8	1-18028-2	WASHER, FLAT, REG M4	33
-	1	1	1	1	1	2168083-9	SCR, SKT HD CAP, RoHS, M4 X 20	31
-	2	2	2	2	2	1-2168083-0	SCR, SKT HD CAP, RoHS, M4 X 10	29
-	1	1	1	1	1	240639-1	STRIPPER (MACHINING)	27
-	2	2	2	2	2	1320906-1	STUD, THREADED	25
-	1	1	1	1	1	1-1752371-2	PLATE, STRIP GUIDE	24
-	2	2	2	2	2	2-22281-3	SPRING, COMPRESSION	22
-	1	1	1	1	1	1752373-4	DRAG	20
-	1	1	1	1	1	1901696-1	STRIP GUIDE, REAR	19
-	1	1	1	1	1	1901695-1	STRIP GUIDE, FRONT	18
-	4	4	4	4	4	1-2079383-1	SCR, BHSC, RoHS (M6 X 12)	17
-	1	1	1	1	1	4-240641-6	SPACER	16
-	1	1	1	1	1	1752360-1	SPACER, HOLD-DOWN	13
-	1	1	1	1	1	240644-5	PLATE, REAR SHEAR	11
-	2	2	2	2	2	240645-8	SPACER, SHEAR PLATE	10
-	1	1	1	1	1	2-240642-6	PLATE, FRONT SHEAR	9
-	1	1	1	1	1	4-1633383-6	ANVIL, COMBINATION	8
-	1	1	1	1	1	4-240651-2	BLADE, SLUG	7
-	-	-	-	-	-	-	-	6
-	1	1	1	1	1	4-240641-0	SPACER	5
-	1	1	1	1	1	238009-1	BLOCK, FL CRIMPER SPACER	4
-	1	1	1	1	1	6-1633961-4	CRIMPER, INSULATION F PREMIUM	3
-	1	1	1	1	1	455888-5	SPACER, CRIMPER	2
-	1	1	1	1	1	3-456408-8	CRIMPER, WIRE PREMIUM	1

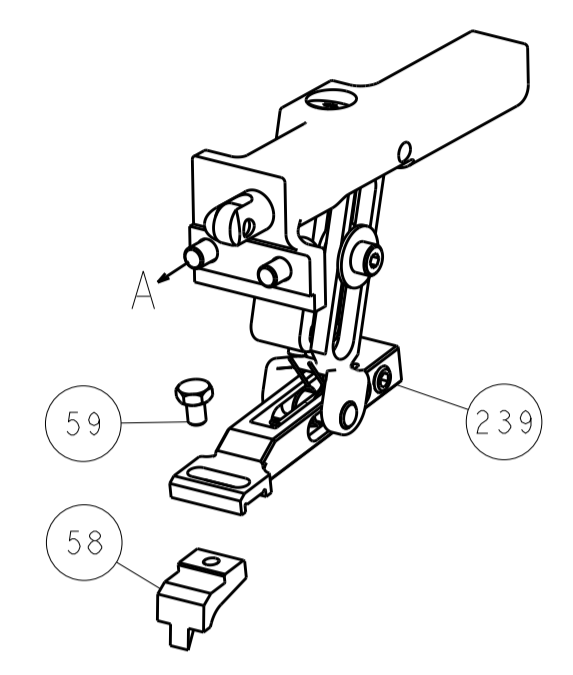
DIMENSIONS:		TOLERANCES UNLESS OTHERWISE SPECIFIED:		MATERIAL:		FINISH:		WEIGHT:		SCALE:	
mm	0 PLC ±.010	1 PLC ±.013	2 PLC ±.015	3 PLC ±.018	4 PLC ±.020	ANGLES ±.0001	±.0001			Customer Accessible Production Drawing	SCALE 1:1
SHEET 1 OF 4		REV C		SHEET 1 OF 4		REV C		SHEET 1 OF 4		REV C	

LOC		DIST		REVISIONS			
A	66	P	LTM	DESCRIPTION	DATE	OWN	APVD
		-	-	SEE SHEET 1	-	-	-

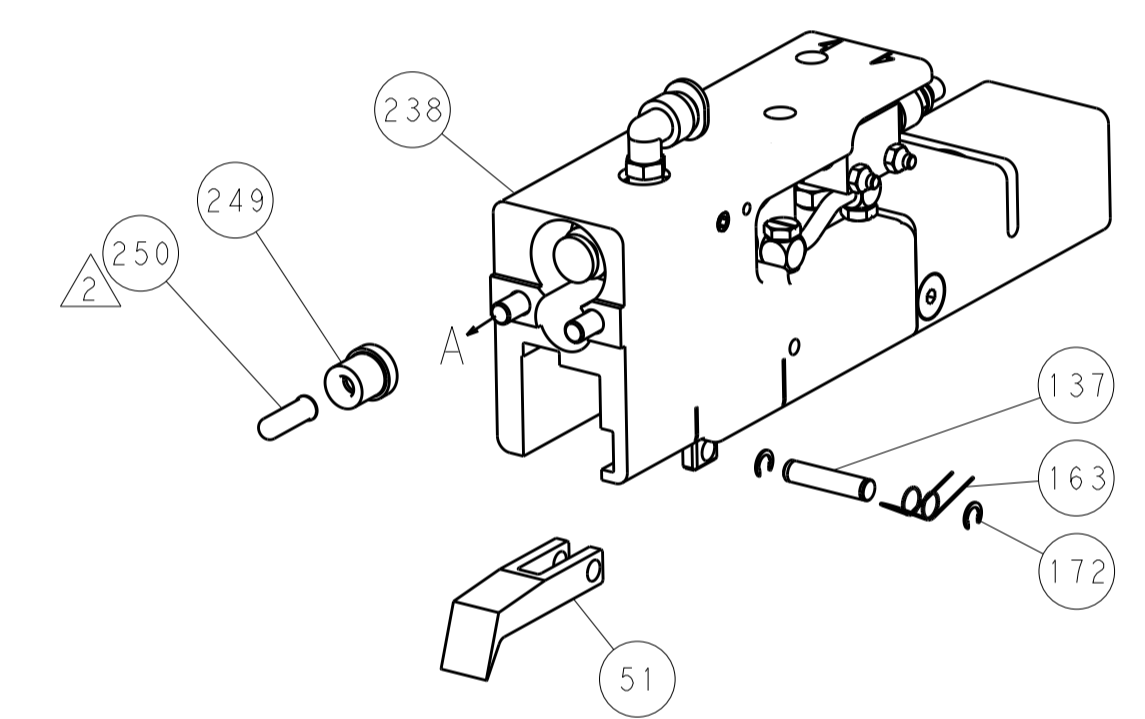


HOLDDOWN SET-UP

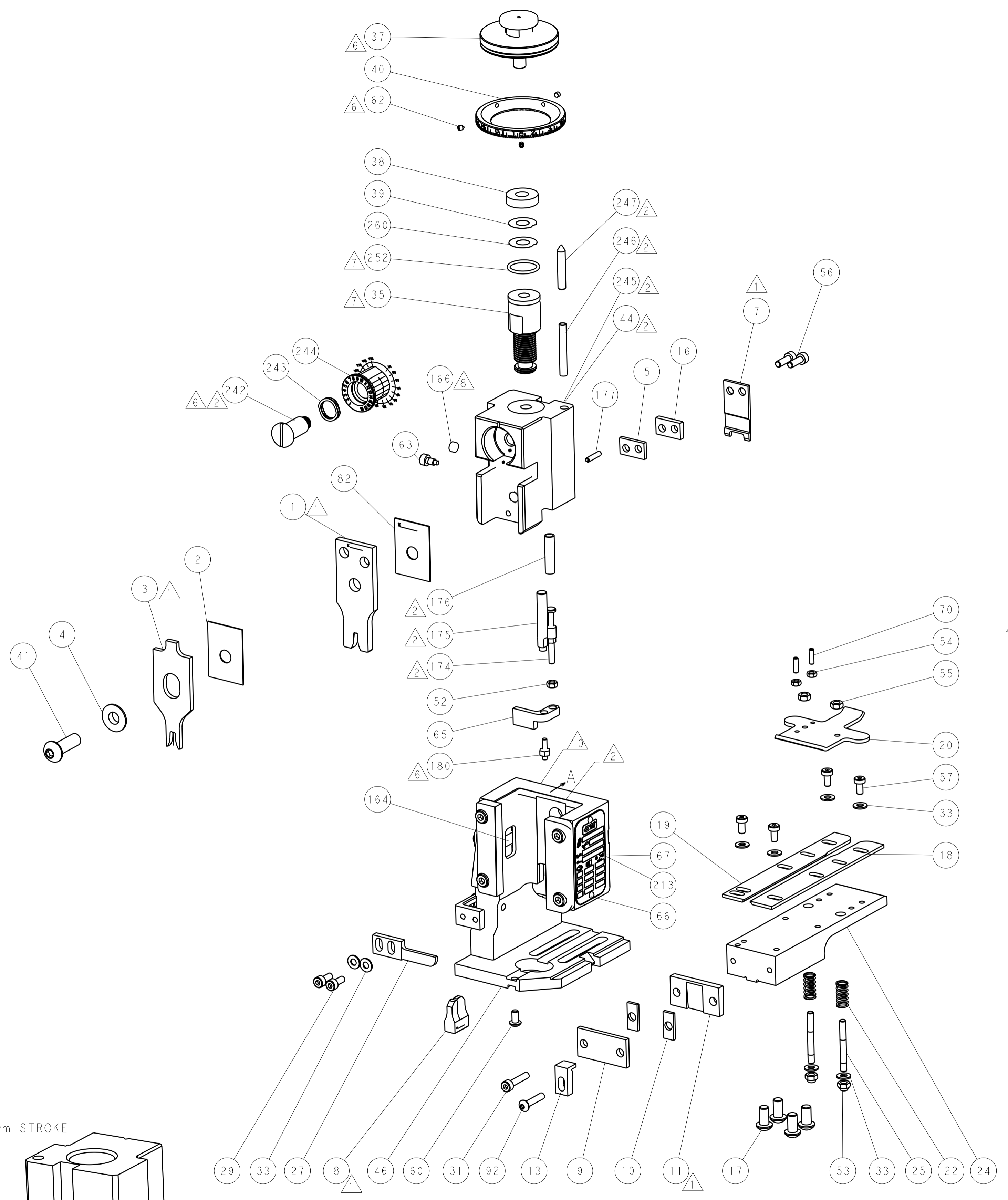
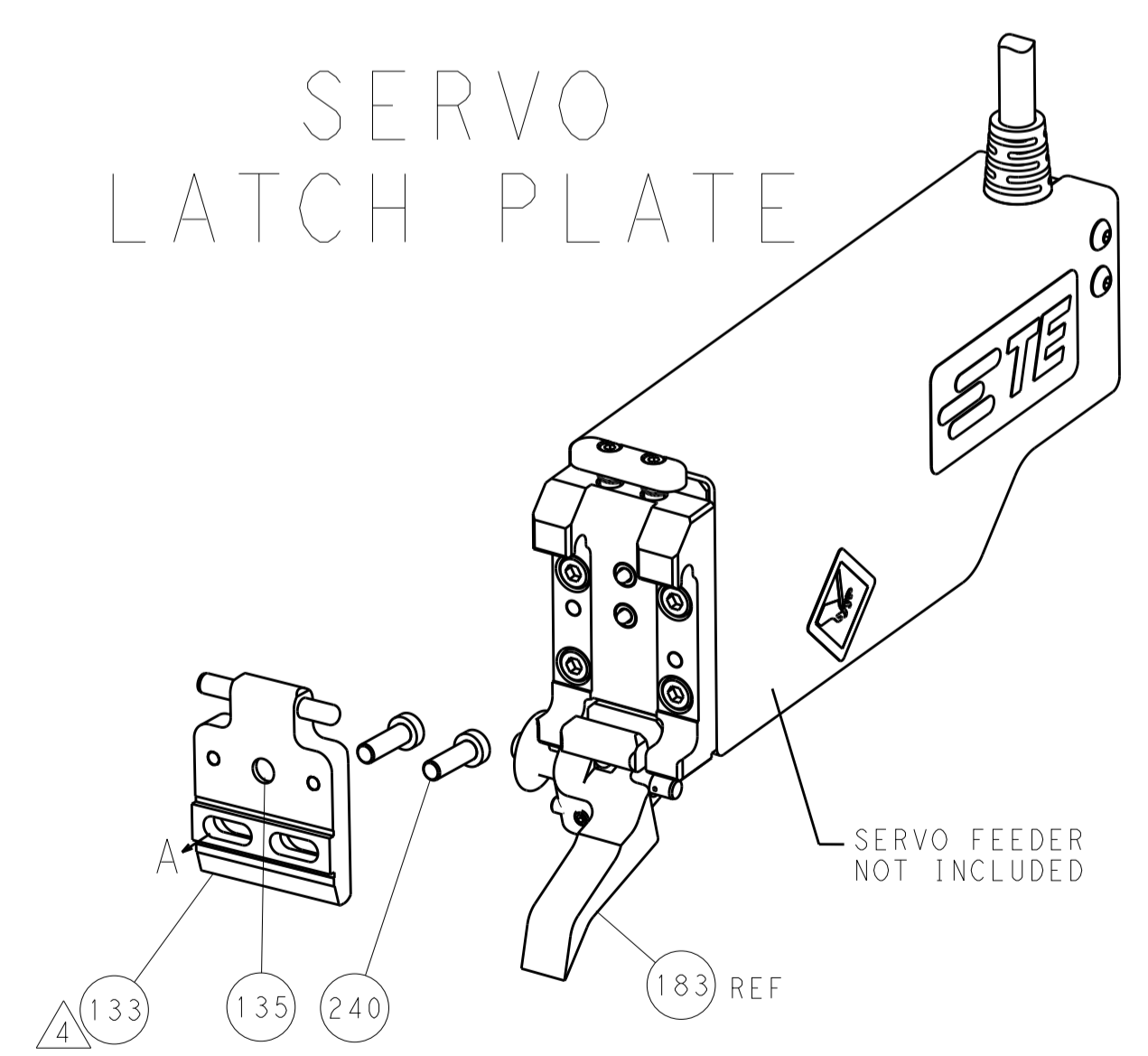
FEED TYPE
MECHANICAL



PNEUMATIC



SERVO
LATCH PLATE



PACIFIC VERSION TERMINATOR INTERFACE ADAPTER	PART NUMBER	REVISION	DESCRIPTION	FEED TYPE	APPLICATOR STYLE CONVERSION CHART						
					CONVERT TO	PART NUMBERS REQUIRED					
	2-2150380-1	C	FINE CRIMP HEIGHT ADJUST	MECHANICAL	PNEUMATIC FEED	2119950-1	2119792-2	-	2119641-2	-	2063440-1
					SERVO LATCH PLATE	2119951-1	1901697-1	8-2150380-5	-	-	2168400-7 (QUANTITY 2)
					SMART APPLICATOR	2161326-1	-	8-2150380-4	-	-	-
	2-2150380-2	C	FINE CRIMP HEIGHT ADJUST	PNEUMATIC	MECHANICAL FEED	2119949-1	2063961-1	5-18022-5	2119653-2	-	-
					SERVO LATCH PLATE	2119951-1	1901697-1	8-2150380-5	-	-	2168400-7 (QUANTITY 2)
					SMART APPLICATOR	2161326-1	-	8-2150380-4	-	-	-
	2-2150380-5	C	FINE CRIMP HEIGHT ADJUST	SERVO LATCH PLATE	MECHANICAL FEED	2119949-1	2063961-1	5-18022-5	2119653-2	-	-
					PNEUMATIC FEED	2119950-1	2119792-2	-	2119641-2	-	2063440-1
	2-2150380-7	C	FINE CRIMP HEIGHT ADJUST	NONE	-	-	-	-	-	-	-
	7-2150380-7	A	CRIMP TOOLING KIT	-	-	-	-	-	-	-	-

APPLICATOR DATA		
CRIMP SIZE	TYPE	
WIRE 2.79 mm (.110)	F	
INSUL 4.06 mm (.160)	F	
APPLICATOR INSTRUCTIONS 408-10390		

TERMINAL DATA: TE TERMINAL		TE CRIMP SPECIFICATION	
TERMINAL NAME: RING			
WIRE STRIP LENGTH		INSULATION DIAMETER RANGE	
5.08-5.97 mm (.200-.235 IN)		2.54-3.56 mm (.100-.140 IN)	
TERMINAL APPLICATION SPECIFICATION	114-2084		
TERMINALS APPLIED			
TE TERMINAL	TE TERMINAL	TE TERMINAL	TE TERMINAL
60770-1	60770-2	60771-1	60771-2
60771-3	60772-1	60772-2	60773-2
60774-1	60774-2	60775-1	60775-2

WIRE SIZE	CRIMP HEIGHT mm [INCH]	CRIMP HEIGHT REFERENCE SETTING
14 AWG	1.88 +/- 0.05 [0.074 +/- .002]	4.5
16 AWG	1.70 +/- 0.05 [0.067 +/- .002]	6.4
1.00mm2	1.60 +/- 0.05 [0.063 +/- .002]	7.4
18 AWG	1.52 +/- 0.05 [0.060 +/- .002]	8.3

- RECOMMENDED SPARE PARTS
- GREASE BEARING SURFACES LIGHTLY
- 3. LUBRICATE DAILY PER THE APPLICATOR INSTRUCTION SHEET SUPPLIED WITH THE APPLICATOR.
- APPLICATOR SPECIFIC DATA TO BE ENTERED INTO BLANK MEMORY CHIP AT ASSEMBLY. SEE BELOW FOR PART NUMBER:
 MECHANICAL FEED WITH "SMART APPLICATOR" CONVERSION: 8-2150380-4
 PNEUMATIC FEED WITH "SMART APPLICATOR" CONVERSION: 8-2150380-4
 SERVO FEED WITH "FINE CRIMP HEIGHT ADJUST": 8-2150380-5
- 5. ADJUSTMENT OF THE STRIPPER MAY BE REQUIRED WHEN MOVING THE APPLICATOR BETWEEN BENCH AND LEADMAKER APPLICATIONS.
- APPLY PART NUMBER 1-23419-5 LOCTITE TO THREADS OF ITEMS 62, 180 & 242.
- GREASE THREADS, GROOVE AND O-RING ON ITEMS 139 & 153.
- MAGNET, ITEM 166 MUST BE ORIENTED CORRECTLY IN ORDER TO PROPERLY ACTUATE THE COUNTER.
- CRIMP HEIGHT REFERENCE SETTING WAS THE SETTING USED WHEN THE APPLICATOR WAS QUALIFIED AT THE FACTORY. ADJUSTMENT MAY BE NECESSARY WHEN RUNNING APPLICATOR IN THE FIELD.
- SPARE FEED CAM STORAGE LOCATION REFER TO INSTRUCTION SHEET FOR ADDITIONAL INFORMATION.
- THE RECOMMENDED SET-UP FOR END FEED APPLICATORS IS POST-FEED WITH ITEM 2119653-1. THE APPLICATOR CAN BE CONFIGURED FOR PRE-FEED WITH ITEM 2119652-1 BUT MAY ENCOUNTER PROBLEMS WITH SOME APPLICATIONS. FEED ISSUES OR TERMINAL JAMMING MAY OCCUR IN THE PRE-FEED CONFIGURATION.
- SPADE TERMINALS ARE NOT FLANGED DURING APPLICATION IN THIS APPLICATOR.

***WARNING**
 ON INSTALLATION, SET WIRE DISC, ITEM 40 TO LARGEST WIRE SIZE SETTING. USE OF SETTINGS BELOW MINIMUM REQUIRED CRIMP HEIGHT SETTING WILL CAUSE DAMAGE TO CRIMP TOOLING.

-	1	1	1	1	2119782-1	FINE ADJUST HEAD ASM, PACIFIC STYLE	251				
-	-	-	1	-	2119640-1	PUSH ROD, AIR FEED	250				
-	-	-	1	-	2079988-1	BUSHING, LCH5-12, MISUMI	249				
-	1	1	1	1	1-22279-3	SPRING, COMPRESSION	246				
-	1	1	1	1	2119082-7	CAM, SNAIL, INSULATION ADJUSTMENT	244				
-	1	1	1	1	2079764-1	WASHER, WAVE SPRING, CREST-TO-CREST	243				
-	1	1	1	1	2119083-1	RETAINER, INSULATION DIAL	242				
-	77	-	27	-	25	-	22	21	PART NO	DESCRIPTION	ITEM NO

PACIFIC VERSION
 Shown on sheets 3 of 4 & 4 of 4
 (Atlantic version shown on sheets 1 of 4 & 2 of 4)

SET UP GAUGE	LOC	DIST	REVISIONS			
2119599-2	A	66	REV	DATE	BY	APPV
			-	SEE SHEET 1	-	-

-	-	2	-	-	2168400-7	SHCS, LOW HEAD, RoHS, M5 X 10	240				
-	-	-	-	1	2119580-1	MECHANICAL FEED ASSEMBLY	239				
-	-	-	-	1	2063440-1	AIR FEED MODULE	238				
-	-	1	-	-	2119740-2	TAG, IDENTIFICATION	213				
-	4	4	4	4	2079383-9	SCR, BHSC, RoHS (M6 X 20)	186				
-	-	REF	-	-	1901697-1	FEED FINGER ASSEMBLY, EF	183				
-	1	1	1	1	1-1976055-0	STANDOFF, HOLD-DOWN	180				
-	1	1	1	1	6-993111-6	PIN, SLOTTED SPRING 3.0 X 14.0	177				
-	1	1	1	1	8-22280-7	SPRING, COMPRESSION	176				
-	1	1	1	1	1752353-2	GUIDE PIN, HOLDDOWN	175				
-	1	1	1	1	1901680-2	GUIDE PIN, HOLDDOWN	174				
-	-	-	2	-	21045-3	RING, RETAIN, EXTERN, 3/16 CRESCENT	172				
-	1	1	1	1	994969-1	MAGNET, RARE EARTH HIGH ENERGY	166				
-	REF	REF	REF	REF	994970-2	COUNTER, MAGNETIC	164				
-	-	-	1	-	240638-1	SPRING, FEED FINGER	163				
-	1	1	1	1	8-21084-1	O-RING, .801 ID, .070 DIA. MAT.	153				
-	-	-	1	-	2119641-2	FEED CAM, AIR FEED	152				
-	1	1	1	1	2119798-2	DETENT PIN	145				
-	1	1	1	1	2079383-8	SCR, BHSC, RoHS (M4 X 16)	144				
-	-	-	-	1	2119653-2	FEED CAM, POST FEED	142				
-	1	1	1	1	2119655-6	APPLICATOR BASIC ASSEMBLY, EF	141				
-	1	1	1	1	2119651-1	RAM, ASIAN STYLE, END FEED	140				
-	1	1	1	1	2119092-2	BOLT, ADJUSTMENT	139				
-	-	-	1	-	3-23627-7	PIN, RETAIN, GRVD, 3/16 X .854	137				
-	-	REF	-	-	SEE NOTE 4	MEMORY CHIP, PROGRAMMED	135				
-	-	1	-	-	1633743-1	SERVO FEED LATCH ASM	133				
-	1	1	1	1	2079383-5	SCR, BHSC, RoHS (M4 X 20)	92				
-	1	1	1	1	455888-6	SPACER, CRIMPER	82				
-	1	1	1	1	2119956-2	DOCUMENTATION PACKAGE	71				
-	2	2	2	2	2-18032-2	SCR, SET, FLT POINT M3 X 10.0	70				
-	1	-	1	1	2119740-1	TAG, IDENTIFICATION	67				
-	2	2	2	2	2168078-1	SCREW, DRIVE, RH, RoHS, 2 x .188	66				
-	1	1	1	1	1901681-1	HOLDDOWN, TERMINAL	65				
-	1	1	1	1	2119793-1	LIMITER, ADJUSTMENT BOLT	63				
-	3	3	3	3	992763-5	SCR, SET, SOC, CONE POINT, M3 x 4.0	62				
-	-	-	-	1	5-18022-5	SCR, HEX HD CAP, M4 X 6.0	59				
-	-	-	-	1	2063961-1	FEED FINGER	58				
-	4	4	4	4	2168400-4	SHCS, LOW HEAD, RoHS, M4 X 8	57				
-	2	2	2	2	2168083-3	SCR, SKT HD CAP, RoHS, M4 X 12.0	56				
-	2	2	2	2	5018030-2	NUT, HEX, REG, RoHS, M4	55				
-	2	2	2	2	5018030-1	NUT, HEX, REG, RoHS, M3	54				
-	2	2	2	2	986965-8	NUT, LOCK, HEX, TORQUE (M4)	53				
-	1	1	1	1	1-5018030-0	NUT, HEX, REG, RoHS, M3.5	52				
-	-	-	-	1	2119792-2	PAWL, EF, AIR	51				
-	-	-	-	2	18023-9	SCR, SKT HD CAP M4 X 6.0	49				
-	-	-	-	1	2119652-1	FEED CAM, PRE FEED	48				
-	1	1	1	1	2079383-7	SCR, BHSC, RoHS (M8 X 25)	41				
-	1	1	1	1	2119645-1	DISC, NUMBERED FA WIRE ADJUSTMENT	40				
-	1	1	1	1	2119957-1	APPLICATOR SHIM PACK	39				
-	1	1	1	1	1-2119644-2	RAM WASHER, PRECISION	38				
-	8	8	8	8	1-18028-2	WASHER, FLAT, REG M4	33				
-	1	1	1	1	2168083-9	SCR, SKT HD CAP, RoHS, M4 X 20	31				
-	2	2	2	2	1-2168083-0	SCR, SKT HD CAP, RoHS, M4 X 10	29				
-	1	1	1	1	240639-1	STRIPPER (MACHINING)	27				
-	2	2	2	2	1320906-1	STUD, THREADED	25				
-	1	1	1	1	1-1752371-2	PLATE, STRIP GUIDE	24				
-	2	2	2	2	2-22281-3	SPRING, COMPRESSION	22				
-	1	1	1	1	1752373-4	DRAG	20				
-	1	1	1	1	1901696-1	STRIP GUIDE, REAR	19				
-	1	1	1	1	1901695-1	STRIP GUIDE, FRONT	18				
-	1	1	1	1	4-240641-6	SPACER	16				
-	1	1	1	1	1752360-1	SPACER, HOLD-DOWN	13				
-	1	1	1	1	240644-5	PLATE, REAR SHEAR	11				
-	2	2	2	2	240645-8	SPACER, SHEAR PLATE	10				
-	1	1	1	1	2-240642-6	PLATE, FRONT SHEAR	9				
-	1	1	1	1	4-1633383-6	ANVIL, COMBINATION	8				
-	1	1	1	1	4-240651-2	BLADE, SLUG	7				
-	-	-	-	-	-	-	6				
-	1	1	1	1	4-240641-0	SPACER	5				
-	1	1	1	1	238009-1	BLOCK, FL CRIMPER SPACER	4				
-	1	1	1	1	6-1633961-4	CRIMPER, INSULATION F PREMIUM	3				
-	1	1	1	1	455888-5	SPACER, CRIMPER	2				
-	1	1	1	1	3-456408-8	CRIMPER, WIRE PREMIUM	1				
-	77	-	27	-	25	-	22	21	PART NO	DESCRIPTION	ITEM NO

DIMENSIONS:		TOLERANCES UNLESS OTHERWISE SPECIFIED:		DATE	BY	APPV
mm	0 PLC ±.5	1 PLC ±.5	2 PLC ±.5	01JUN2011	CHK	01JUN2011
	3 PLC ±.013	4 PLC ±.013	ANGLES ±.0001	01JUN2011	APVD	01JUN2011
MATERIAL:				FINISH:		
WEIGHT:				SCALE:		
Customer Accessible Production Drawing				RESTRICTED TO:		

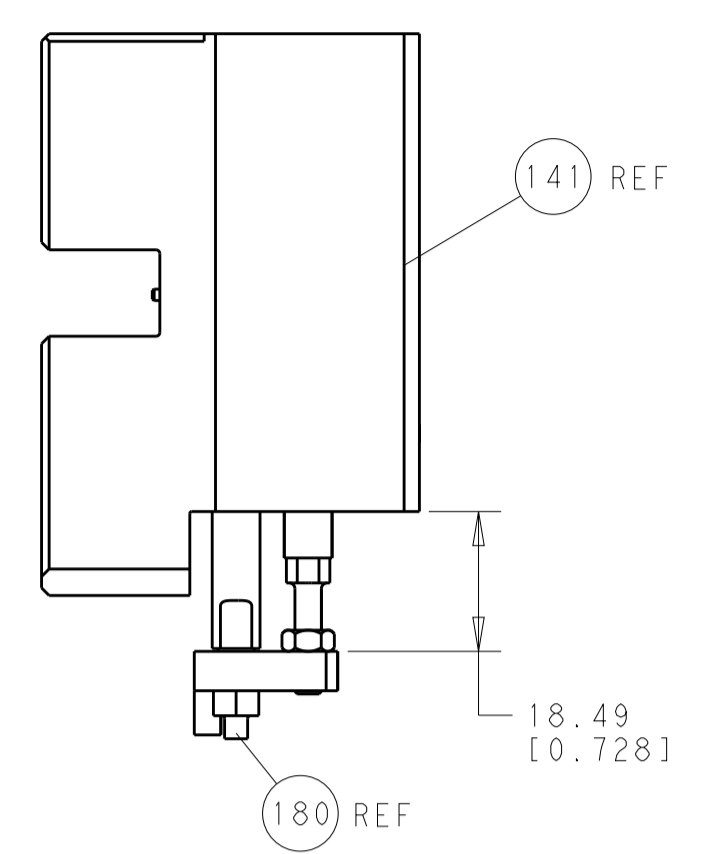
STE TE Connectivity
 Harrisburg, PA 17105-3608

Ocean End Feed Applicator

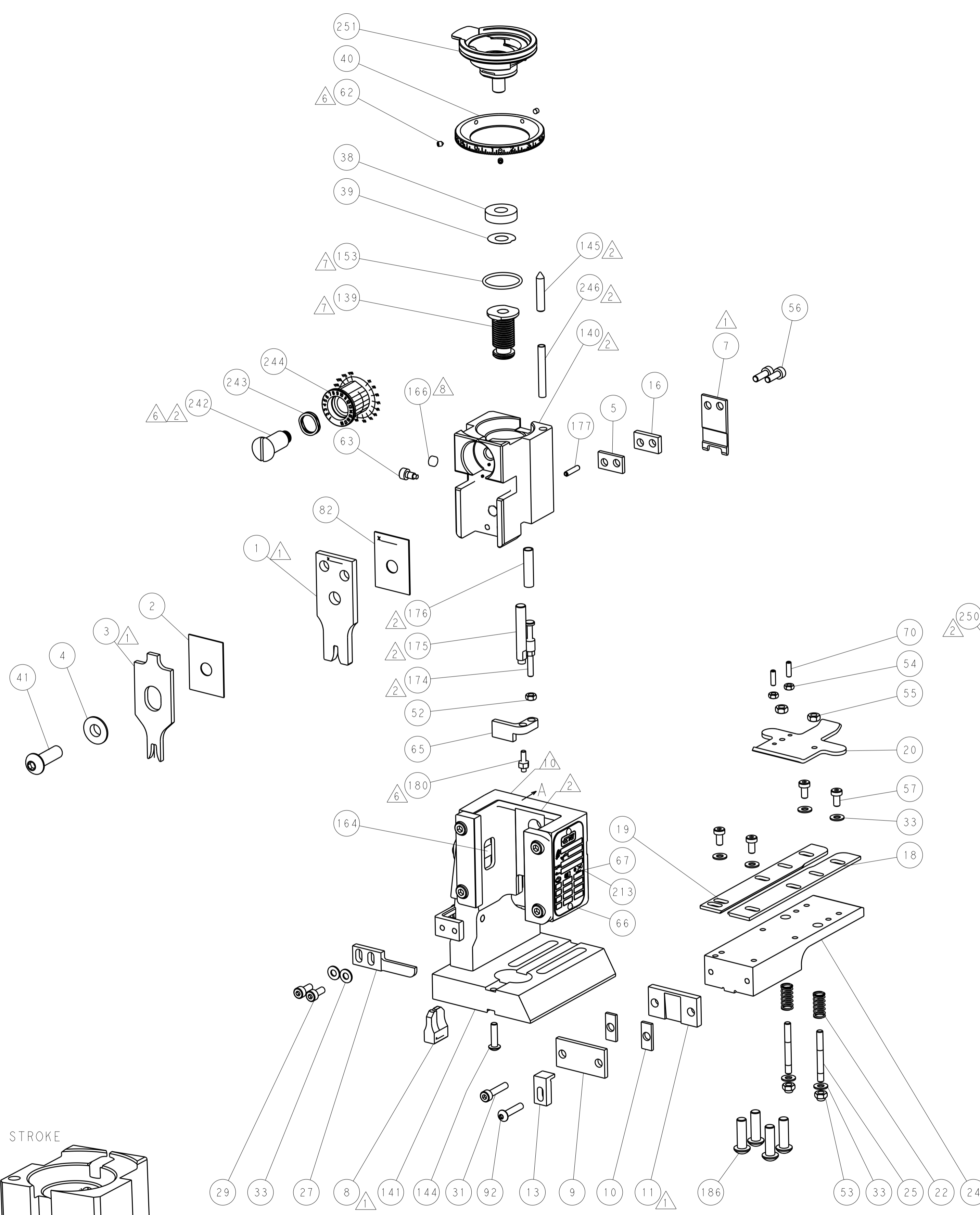
SIZE: A1 CASE CODE: 00779 DRAWING NO: C-2150380

SHEET 3 OF 4 REV C

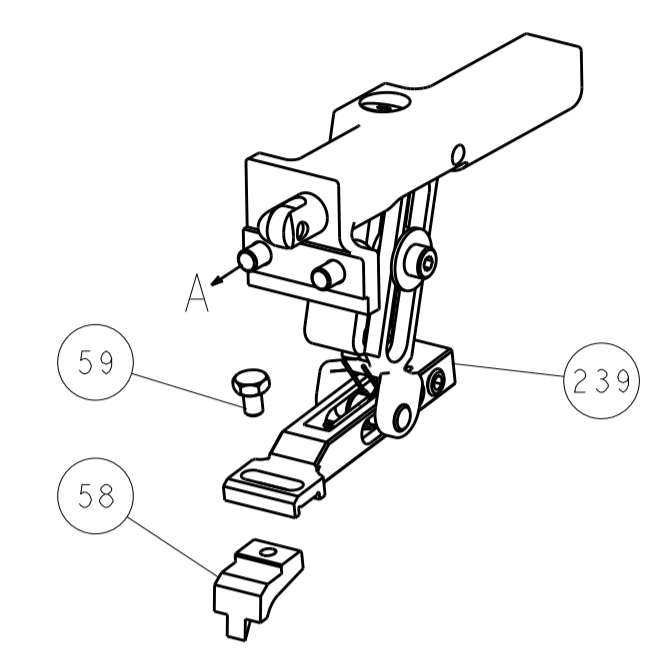
LOC		DIST		REVISIONS			
A	66	P	LTM	DESCRIPTION	DATE	DWN	APVD
				SEE SHEET 1			



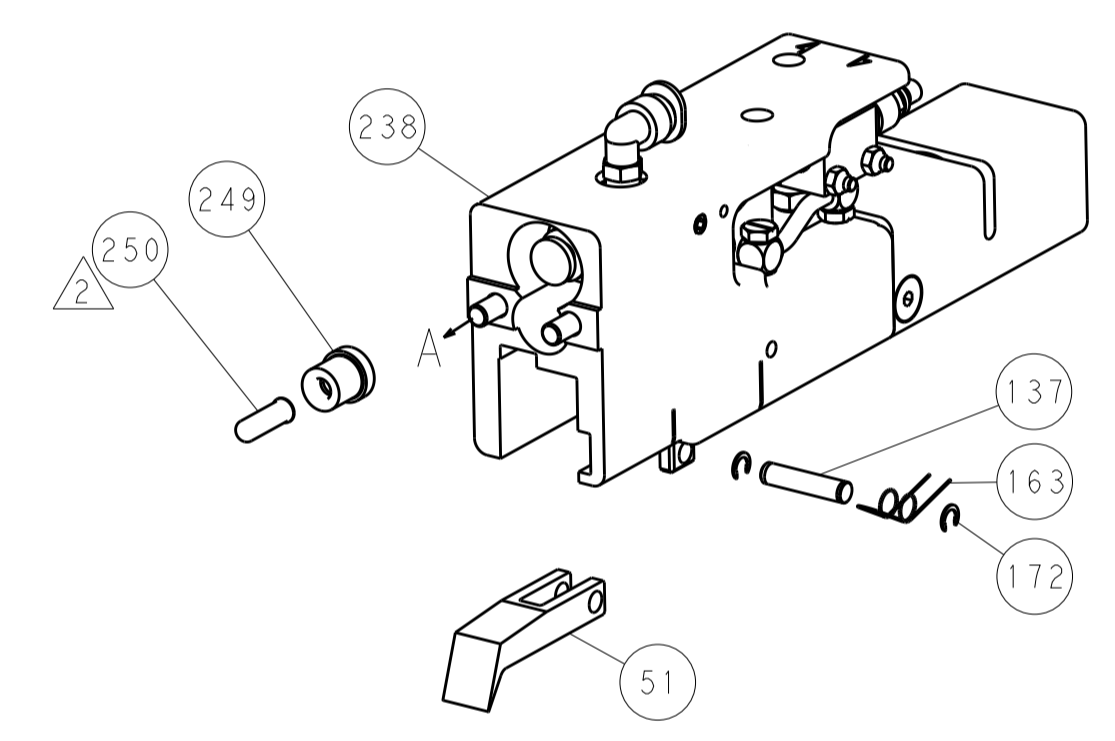
HOLDDOWN SET-UP



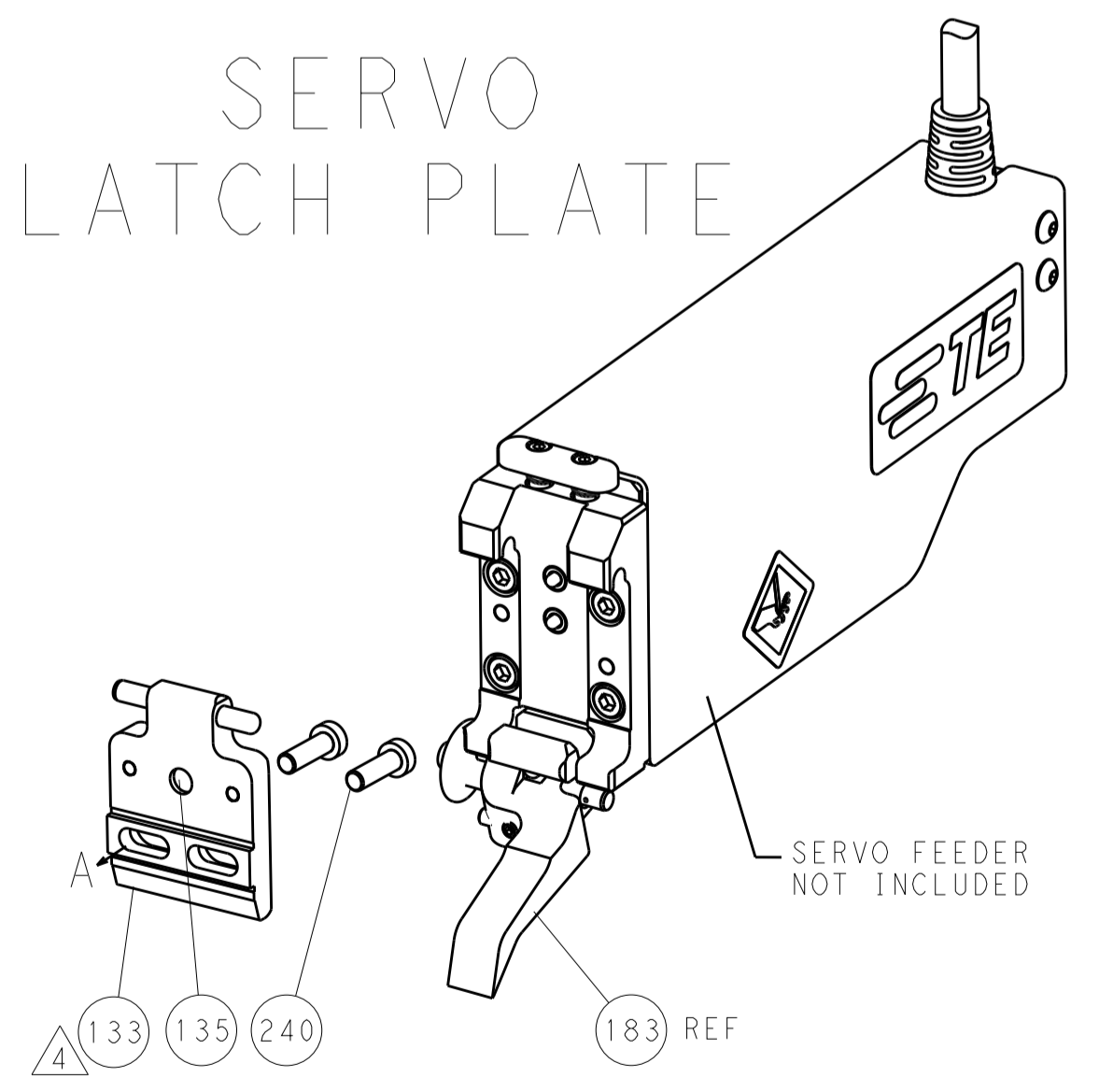
FEED TYPE
MECHANICAL



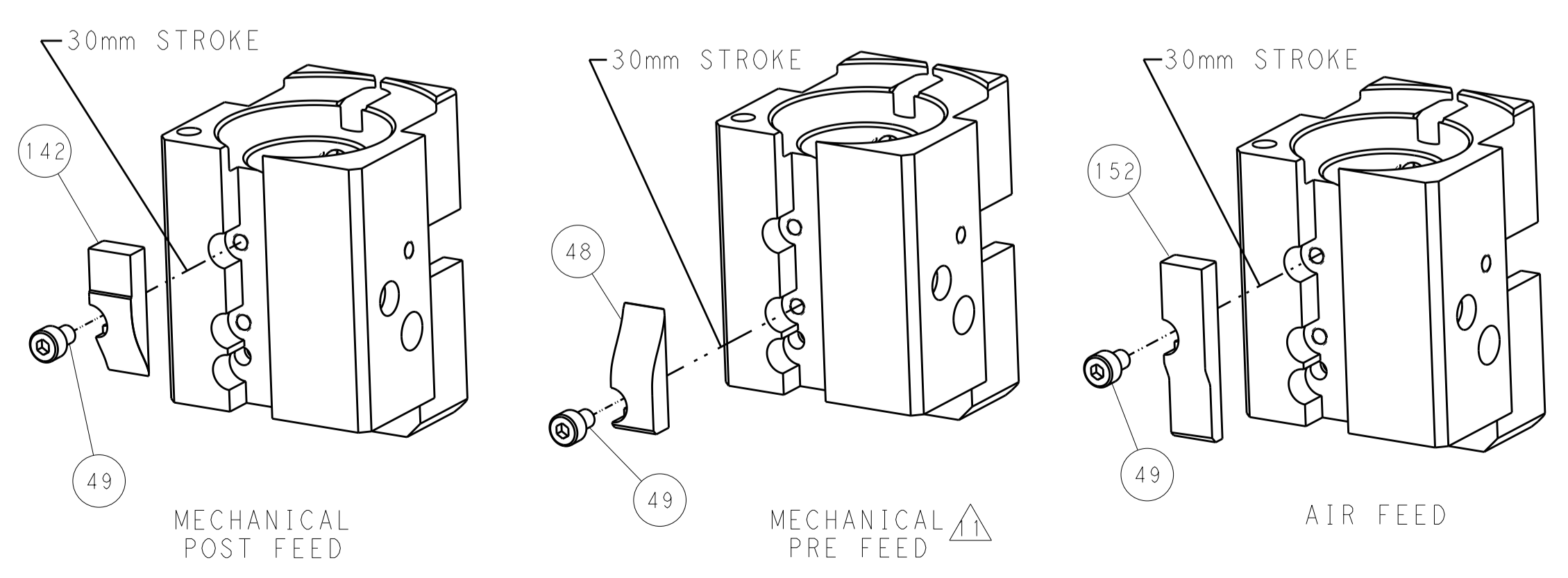
PNEUMATIC



SERVO
LATCH PLATE



CAM POSITIONS



PACIFIC VERSION
 Shown on sheets 3 of 4 & 4 of 4
 (Atlantic version shown on sheets 1 of 4 & 2 of 4)

DIMENSIONS:		TOLERANCES UNLESS OTHERWISE SPECIFIED:		DWN	01JUN2011	TE Connectivity Harrisburg, PA 17105-3608
mm	0 PLC ±0.5	1 PLC ±0.5	2 PLC ±0.13	CHK	01JUN2011	
	3 PLC ±0.013	4 PLC ±0.001	ANGLES ±0.001	APVD	01JUN2011	NAME
MATERIAL	FINISH	WEIGHT		PRODUCT SPEC		Ocean End Feed Applicator
				APPLICATION SPEC		
		SCALE		SIZE		RESTRICTED TO
		1:1		A1 00779 C=2150380		
		SHEET		Customer Accessible Production Drawing		REV
		4 OF 4				C