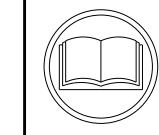


| ATLANTIC VERSION TERMINATOR INTERFACE ADAPTER | PART NUMBER | REVISION | DESCRIPTION | FEED TYPE | APPLICATOR STYLE CONVERSION CHART | | | | | | |
|---|-------------|----------|--------------------------|--------------------------------|-----------------------------------|-----------------------|-----------|-------------|-----------|---|------------------------|
| | | | | | CONVERT TO | PART NUMBERS REQUIRED | | | | | |
| | 2150305-1 | A | FINE CRIMP HEIGHT ADJUST | MECHANICAL | PNEUMATIC FEED | 2119950-1 | 2119792-2 | - | 2119641-1 | - | 2063440-1 |
| | | | | | SERVO LATCH PLATE | 2119951-1 | 1901697-1 | 8-2150305-5 | - | - | 2168400-7 (QUANTITY 2) |
| | | | | | SMART APPLICATOR | 2161326-1 | - | 8-2150305-4 | - | - | - |
| | 2150305-2 | A | FINE CRIMP HEIGHT ADJUST | PNEUMATIC | MECHANICAL FEED | 2119949-1 | 2063961-1 | 5-18022-5 | 2119653-1 | - | - |
| | | | | | SERVO LATCH PLATE | 2119951-1 | 1901697-1 | 8-2150305-5 | - | - | 2168400-7 (QUANTITY 2) |
| | | | | | SMART APPLICATOR | 2161326-1 | - | 8-2150305-4 | - | - | - |
| | 2150305-5 | A | FINE CRIMP HEIGHT ADJUST | SERVO LATCH PLATE ⁴ | MECHANICAL FEED | 2119949-1 | 2063961-1 | 5-18022-5 | 2119653-1 | - | - |
| | | | | | PNEUMATIC FEED | 2119950-1 | 2119792-2 | - | 2119641-1 | - | 2063440-1 |
| | 2150305-6 | A | NON-CRIMP HEIGHT ADJUST | SERVO LATCH PLATE ⁴ | - | - | - | - | - | - | - |
| | | | | | - | - | - | - | - | - | - |
| | 2150305-7 | A | FINE CRIMP HEIGHT ADJUST | NONE | - | - | - | - | - | - | - |
| | 7-2150305-7 | A | CRIMP TOOLING KIT | - | - | - | - | - | - | - | - |

| APPLICATOR DATA | | |
|-----------------------------------|----------------|------|
| CRIMP | SIZE | TYPE |
| WIRE | 2.54 mm [1.00] | F |
| INSUL | - | - |
| APPLICATOR INSTRUCTIONS 408-10390 | | |

| TERMINAL DATA: TE TERMINAL | | TE CRIMP SPECIFICATION | |
|------------------------------------|-------------|---------------------------|-------------|
| TERMINAL NAME: TERMINAL SPADE | | | |
| WIRE STRIP LENGTH | | INSULATION DIAMETER RANGE | |
| .186-.201 IN [4.72-5.11 mm] | | ∅ | - |
| TERMINAL APPLICATION SPECIFICATION | 114-2084 | - | - |
| TERMINALS APPLIED | | | |
| TE TERMINAL | TE TERMINAL | TE TERMINAL | TE TERMINAL |
| 40608 | 160036-2 | 160167-2 | 160332-2 |
| 41879 | 160061-2 | 160167-3 | - |
| 160036-1 | 160167-1 | 160332-1 | - |

| WIRE SIZE | CRIMP HEIGHT mm [INCH] | CRIMP HEIGHT REFERENCE SETTING |
|-----------|-----------------------------|--------------------------------|
| 16 AWG | 1.70+/-0.05 [1.067+/-0.002] | 6.3 |
| 18 AWG | 1.55+/-0.05 [1.061+/-0.002] | 8.0 |
| 20 AWG | 1.47+/-0.05 [1.058+/-0.002] | 8.8 |
| 22 AWG | 1.40+/-0.05 [1.055+/-0.002] | 9.6 |



- 1 RECOMMENDED SPARE PARTS
- 2 GREASE BEARING SURFACES LIGHTLY
- 3. LUBRICATE DAILY PER THE APPLICATOR INSTRUCTION SHEET SUPPLIED WITH THE APPLICATOR.
- 4 APPLICATOR SPECIFIC DATA TO BE ENTERED INTO BLANK MEMORY CHIP AT ASSEMBLY. SEE BELOW FOR PART NUMBER:
 MECHANICAL FEED WITH "SMART APPLICATOR" CONVERSION: 8-2150305-4
 PNEUMATIC FEED WITH "SMART APPLICATOR" CONVERSION: 8-2150305-4
 SERVO FEED WITH "FINE CRIMP HEIGHT ADJUST": 8-2150305-5
 SERVO FEED WITH "NON-CRIMP HEIGHT ADJUST": 8-2150305-6
- 5. ADJUSTMENT OF THE STRIPPER MAY BE REQUIRED WHEN MOVING THE APPLICATOR BETWEEN BENCH AND LEADMAKER APPLICATIONS.
- 6 APPLY PART NUMBER 1-23419-5 LOCTITE TO THREADS OF ITEMS 50, 62 FOR -6 ONLY APPLY PART NUMBER 1-23419-5 LOCTITE TO THREADS OF ITEMS 37, 50.
- 7 GREASE THREADS, GROOVE AND O-RING ON ITEMS 35 & 252.
- 8 MAGNET, ITEM 166 MUST BE ORIENTED CORRECTLY IN ORDER TO PROPERLY ACTUATE THE COUNTER.
- 9 CRIMP HEIGHT REFERENCE SETTING WAS THE SETTING USED WHEN THE APPLICATOR WAS QUALIFIED AT THE FACTORY. ADJUSTMENT MAY BE NECESSARY WHEN RUNNING APPLICATOR IN THE FIELD.
- 10 SPARE FEED CAM STORAGE LOCATION REFER TO INSTRUCTION SHEET FOR ADDITIONAL INFORMATION.
- 11 THE RECOMMENDED SET-UP FOR END FEED APPLICATORS IS POST-FEED WITH ITEM 2119653-1. THE APPLICATOR CAN BE CONFIGURED FOR PRE-FEED WITH ITEM 2119652-1 BUT MAY ENCOUNTER PROBLEMS WITH SOME APPLICATIONS. FEED ISSUES OR TERMINAL JAMMING MAY OCCUR IN THE PRE-FEED CONFIGURATION.
- 12 WHEN ASSEMBLING A NON CRIMP HEIGHT ADJUST APPLICATOR (-6) USE SHIMS FROM ITEM 260 TO ACHIEVE A NOMINAL SHIM HEIGHT OF (ENTER SHIM HEIGHT VALUE).

***WARNING**
 ON INSTALLATION, SET WIRE DISC, ITEM 40 TO LARGEST WIRE SIZE SETTING. USE OF SETTINGS BELOW MINIMUM REQUIRED CRIMP HEIGHT SETTING WILL CAUSE DAMAGE TO CRIMP TOOLING.

| -77 | -7 | -6 | -5 | -2 | -1 | PART NO | DESCRIPTION | ITEM NO |
|-----|----|----|----|----|----|-----------|---------------------------------|---------|
| - | - | 1 | - | - | - | 2119957-2 | APPLICATOR SHIM PACK | 260 |
| - | 1 | - | 1 | 1 | 1 | 8-21084-0 | O-RING, .676 ID, .070 DIA. MAT. | 252 |
| - | - | - | - | 1 | - | 2119640-1 | PUSH ROD, AIR FEED | 250 |
| - | - | - | - | 1 | - | 2079988-1 | BUSHING, LCH5-12, MISUMI | 249 |

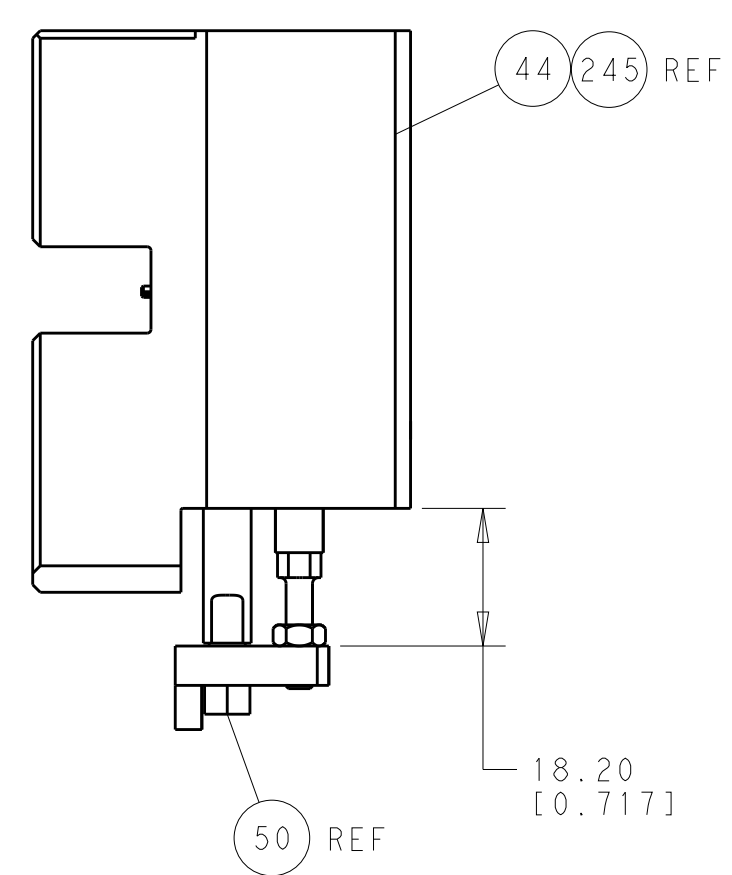
ATLANTIC VERSION
 Shown on sheets 1 of 4 & 2 of 4
 (Pacific version shown on sheets 3 of 4 & 4 of 4)

| SET UP GAUGE | LOC | DIST | REVISIONS | | | |
|--------------|-----|------|-----------|----------|-----------|-------|
| 2119599-2 | A | 66 | REV | DATE | BY | APPV |
| | | | A | RELEASED | 26FEB2013 | KH GB |

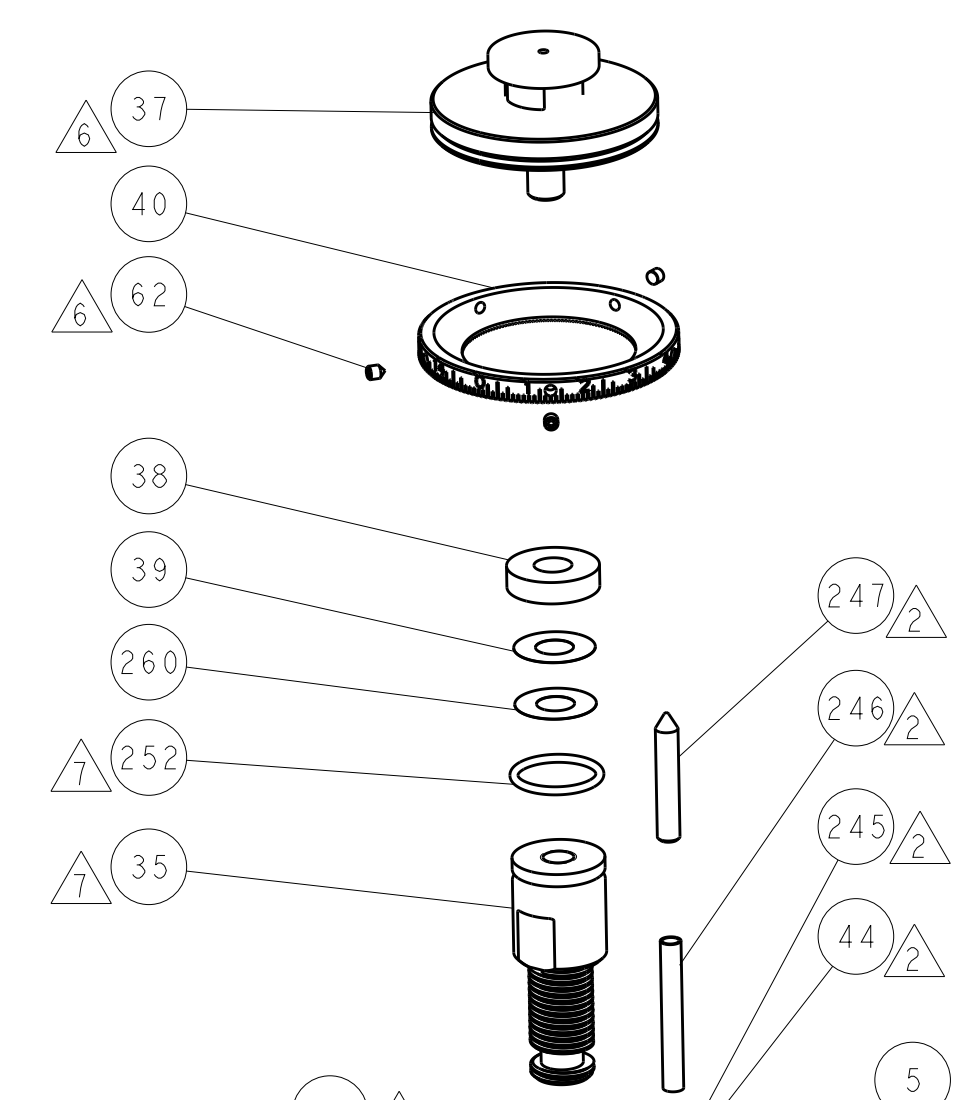
| | | | | | | | | |
|---|--------|--------|--------|--------|--------|-------------|--------------------------------------|-----|
| - | - | - | - | 1 | - | 2119641-1 | FEED CAM, AIR FEED | 248 |
| - | 1 | - | 1 | 1 | 1 | 2119798-1 | DETENT PIN | 247 |
| - | 1 | - | 1 | 1 | 1 | 1-22279-3 | SPRING, COMPRESSION | 246 |
| - | - | 1 | - | - | - | 2119759-1 | RAM, AMP STYLE, END FEED, NON-ADJUST | 245 |
| - | - | 2 | 2 | - | - | 2168400-7 | SHCS, LOW HEAD, RoHS, M5 X 10 | 240 |
| - | - | - | - | - | 1 | 2119580-1 | MECHANICAL FEED ASSEMBLY | 239 |
| - | - | - | - | 1 | - | 2063440-1 | AIR FEED MODULE | 238 |
| - | - | 1 | 1 | - | - | 2119740-2 | TAG, IDENTIFICATION | 213 |
| - | - | REFREF | - | - | - | 1901697-1 | FEED FINGER ASSEMBLY, EF | 183 |
| - | 1 | 1 | 1 | 1 | 1 | 6-993111-6 | PIN, SLOTTED SPRING 3.0 X 14.0 | 177 |
| - | 1 | 1 | 1 | 1 | 1 | 8-22280-7 | SPRING, COMPRESSION | 176 |
| - | 1 | 1 | 1 | 1 | 1 | 1752353-2 | GUIDE PIN, HOLDDOWN | 175 |
| - | 1 | 1 | 1 | 1 | 1 | 1901680-2 | GUIDE PIN, HOLDDOWN | 174 |
| - | - | - | - | 2 | - | 21045-3 | RING, RETAIN, EXTERN, 3/16 CRESCENT | 172 |
| - | 1 | 1 | 1 | 1 | 1 | 994969-1 | MAGNET, RARE EARTH HIGH ENERGY | 166 |
| - | REFREF | REFREF | REFREF | REFREF | REFREF | 994970-2 | COUNTER, MAGNETIC | 164 |
| - | - | - | - | 1 | - | 240638-1 | SPRING, FEED FINGER | 163 |
| - | - | - | - | 1 | - | 3-23627-7 | PIN, RETAIN, GRVD, 3/16 X .854 | 137 |
| - | - | REFREF | - | - | - | SEE NOTE 4 | MEMORY CHIP, PROGRAMMED | 135 |
| - | - | 1 | 1 | - | - | 1633743-1 | SERVO FEED LATCH ASM | 133 |
| - | 1 | 1 | 1 | 1 | 1 | 455888-5 | SPACER, CRIMPER | 82 |
| - | 1 | 1 | 1 | 1 | 1 | 2119956-2 | DOCUMENTATION PACKAGE | 71 |
| - | 2 | 2 | 2 | 2 | 2 | 2-18032-2 | SCR, SET, FLT POINT M3 X 10.0 | 70 |
| - | 1 | - | - | 1 | 1 | 2119740-1 | TAG, IDENTIFICATION | 67 |
| - | 2 | 2 | 2 | 2 | 2 | 2168078-1 | SCREW, DRIVE, RH, RoHS | 66 |
| - | 1 | 1 | 1 | 1 | 1 | 1901681-5 | HOLDDOWN, TERMINAL | 65 |
| - | 1 | - | 1 | 1 | 1 | 2119793-1 | LIMITER, ADJUSTMENT BOLT | 63 |
| - | 3 | - | 3 | 3 | 3 | 992763-5 | SCR, SET, SOC, CONE POINT, M3 x 4.0 | 62 |
| - | 1 | 1 | 1 | 1 | 1 | 2079383-4 | SCR, BHSC, RoHS (M4 X 8) | 60 |
| - | - | - | - | - | 1 | 5-18022-5 | SCR, HEX HD CAP, M4 X 6.0 | 59 |
| - | - | - | - | - | 1 | 2063961-1 | FEED FINGER | 58 |
| - | 4 | 4 | 4 | 4 | 4 | 2168400-4 | SHCS, LOW HEAD, RoHS, M4 X 8 | 57 |
| - | 2 | 2 | 2 | 2 | 2 | 1-2168083-0 | SCR, SKT HD CAP, RoHS, M4 X 10 | 56 |
| - | 2 | 2 | 2 | 2 | 2 | 5018030-2 | NUT, HEX, REG, RoHS, M4 | 55 |
| - | 2 | 2 | 2 | 2 | 2 | 5018030-1 | NUT, HEX, REG, RoHS, M3 | 54 |
| - | 2 | 2 | 2 | 2 | 2 | 986965-8 | NUT, LOCK, HEX, TORQUE (M4) | 53 |
| - | 1 | 1 | 1 | 1 | 1 | 1-5018030-0 | NUT, HEX, REG, RoHS, M3.5 | 52 |
| - | - | - | - | 1 | - | 2119792-2 | PAWL, EF, AIR | 51 |
| - | 1 | 1 | 1 | 1 | 1 | 4-1752354-1 | STANDOFF, HOLD-DOWN | 50 |
| - | - | - | - | 1 | 2 | 18023-9 | SCR, SKT HD CAP M4 X 6.0 | 49 |
| - | - | - | - | - | 1 | 2119652-1 | FEED CAM, PRE FEED | 48 |
| - | - | - | - | - | 1 | 2119653-1 | FEED CAM, POST FEED | 47 |
| - | 1 | 1 | 1 | 1 | 1 | 2119655-5 | APPLICATOR BASIC ASSEMBLY, EF | 46 |
| - | 1 | - | 1 | 1 | 1 | 2119369-1 | RAM, AMP STYLE, END FEED | 44 |
| - | 1 | 1 | 1 | 1 | 1 | 2079383-7 | SCR, BHSC, RoHS (M8 X 25) | 41 |
| - | 1 | - | 1 | 1 | 1 | 2119645-1 | DISC, NUMBERED FA WIRE ADJUSTMENT | 40 |
| - | 1 | - | 1 | 1 | 1 | 2119957-1 | APPLICATOR SHIM PACK | 39 |
| - | 1 | 1 | 1 | 1 | 1 | 2119644-2 | RAM WASHER, PRECISION | 38 |
| - | 1 | 1 | 1 | 1 | 1 | 2119085-1 | FA HEAD, ATLANTIC STYLE | 37 |
| - | 1 | - | 1 | 1 | 1 | 2119092-1 | BOLT, ADJUSTMENT | 35 |
| - | 8 | 8 | 8 | 8 | 8 | 1-18028-2 | WASHER, FLAT, REG M4 | 33 |
| - | 2 | 2 | 2 | 2 | 2 | 2168083-9 | SCR, SKT HD CAP, RoHS, M4 X 20 | 31 |
| - | 2 | 2 | 2 | 2 | 2 | 1-2168083-0 | SCR, SKT HD CAP, RoHS, M4 X 10 | 29 |
| - | 1 | 1 | 1 | 1 | 1 | 240639-1 | STRIPPER (MACHINING) | 27 |
| - | 2 | 2 | 2 | 2 | 2 | 1320906-1 | STUD, THREADED | 25 |
| - | 1 | 1 | 1 | 1 | 1 | 1752371-1 | PLATE, STRIP GUIDE | 24 |
| - | 2 | 2 | 2 | 2 | 2 | 2-22281-3 | SPRING, COMPRESSION | 22 |
| - | 1 | 1 | 1 | 1 | 1 | 1752373-4 | DRAG | 20 |
| - | 1 | 1 | 1 | 1 | 1 | 1901696-7 | STRIP GUIDE, REAR | 19 |
| - | 1 | 1 | 1 | 1 | 1 | 1901695-7 | STRIP GUIDE, FRONT | 18 |
| - | 4 | 4 | 4 | 4 | 4 | 1-2079383-1 | SCR, BHSC, RoHS (M6 X 12) | 17 |
| - | 1 | 1 | 1 | 1 | 1 | 1752360-1 | SPACER, HOLD-DOWN | 13 |
| - | 1 | 1 | 1 | 1 | 1 | 240644-1 | PLATE, REAR SHEAR | 11 |
| - | 2 | 2 | 2 | 2 | 2 | 1-240645-1 | SPACER, SHEAR PLATE | 10 |
| - | 1 | 1 | 1 | 1 | 1 | 240642-1 | PLATE, FRONT SHEAR | 9 |
| 1 | 1 | 1 | 1 | 1 | 1 | 1803002-2 | ANVIL, COMBINATION, END FEED | 8 |
| - | 1 | 1 | 1 | 1 | 1 | 8-240651-7 | BLADE, SLUG | 7 |
| - | - | - | - | - | - | - | - | 6 |
| - | 1 | 1 | 1 | 1 | 1 | 4-240641-1 | SPACER | 5 |
| - | - | - | - | - | - | - | - | 4 |
| - | - | - | - | - | - | - | - | 3 |
| - | - | - | - | - | - | - | - | 2 |
| 1 | 1 | 1 | 1 | 1 | 1 | 456407-7 | CRIMPER, WIRE PREMIUM | 1 |

| DIMENSIONS: | | TOLERANCES UNLESS OTHERWISE SPECIFIED: | | DATE | |
|-------------|--------------|--|---------------|--|------|
| mm | 0 PLC ±0.5 | 1 PLC ±0.13 | 2 PLC ±0.013 | 06DEC2012 | CHK |
| | 3 PLC ±0.001 | 4 PLC ±0.001 | ANGLES ±0.001 | 06DEC2012 | APPV |
| MATERIAL: | | FINISH: | | DWN | |
| | | | | H. HUANG | |
| | | | | S. XI | |
| | | | | S. XI | |
| | | | | 06DEC2012 | |
| | | | | NAME | |
| | | | | Ocean End Feed | |
| | | | | Applicator | |
| | | | | SIZE | |
| | | | | A1 | |
| | | | | CASE CODE | |
| | | | | 00779 | |
| | | | | DRAWING NO | |
| | | | | C=2150305 | |
| | | | | RESTRICTED TO | |
| | | | | - | |
| | | | | WEIGHT | |
| | | | | - | |
| | | | | Customer Accessible Production Drawing | |
| | | | | SCALE | |
| | | | | 1:1 | |
| | | | | SHEET | |
| | | | | 1 of 4 | |
| | | | | REV | |
| | | | | A | |

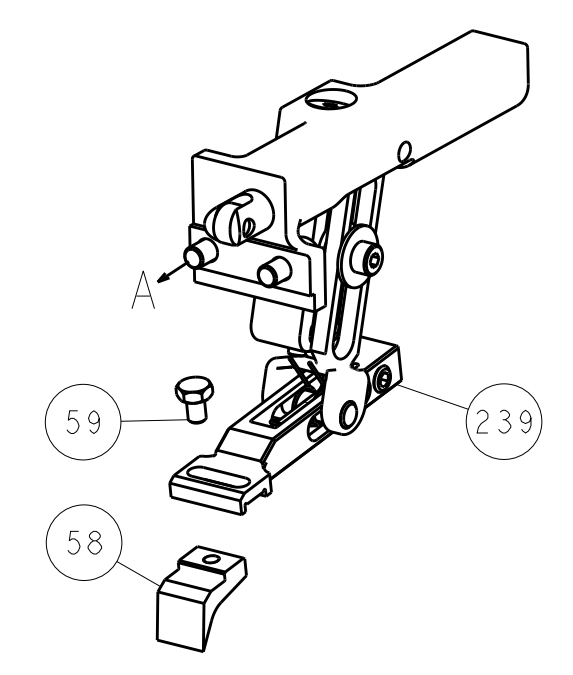
| LOC | | DIST | | REVISIONS | | | |
|-----|----|------|-----|-------------|------|-----|------|
| A | 66 | P | LTN | DESCRIPTION | DATE | OWN | APVD |
| | | - | | SEE SHEET 1 | | | |



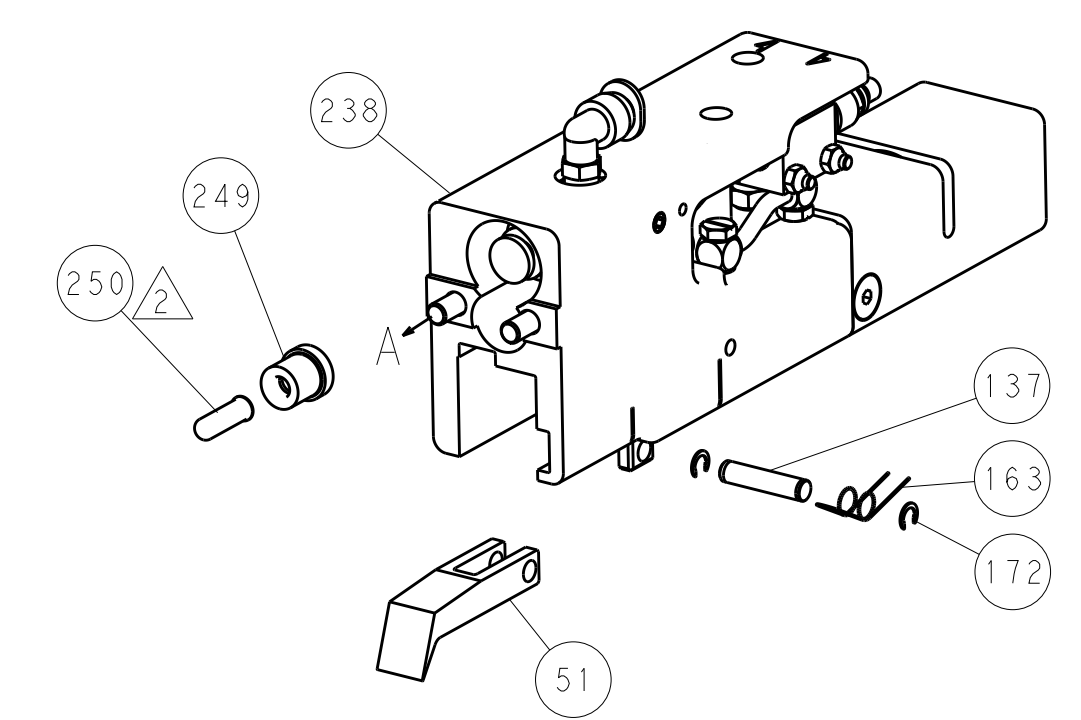
HOLDDOWN SET-UP



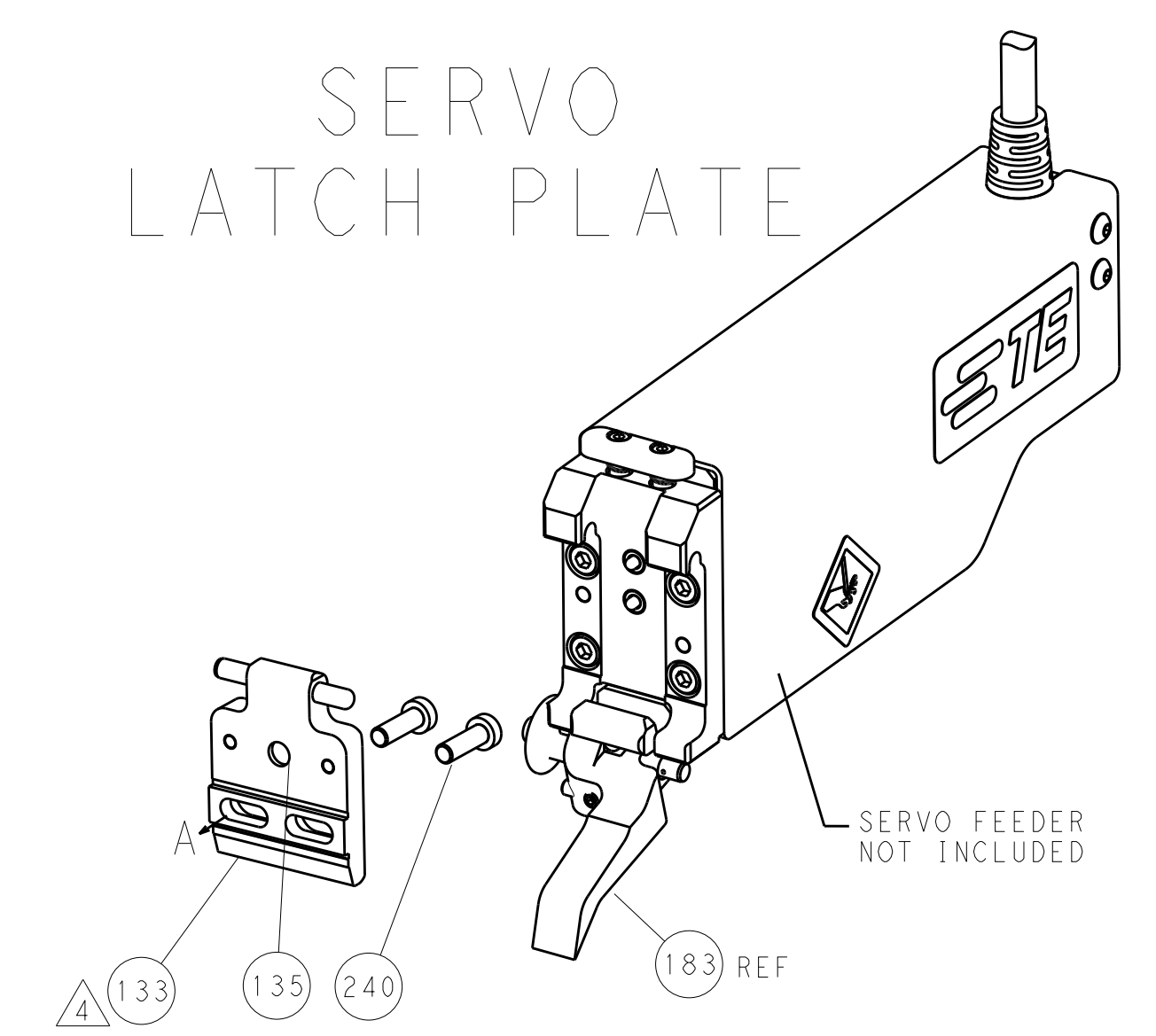
FEED TYPE
MECHANICAL



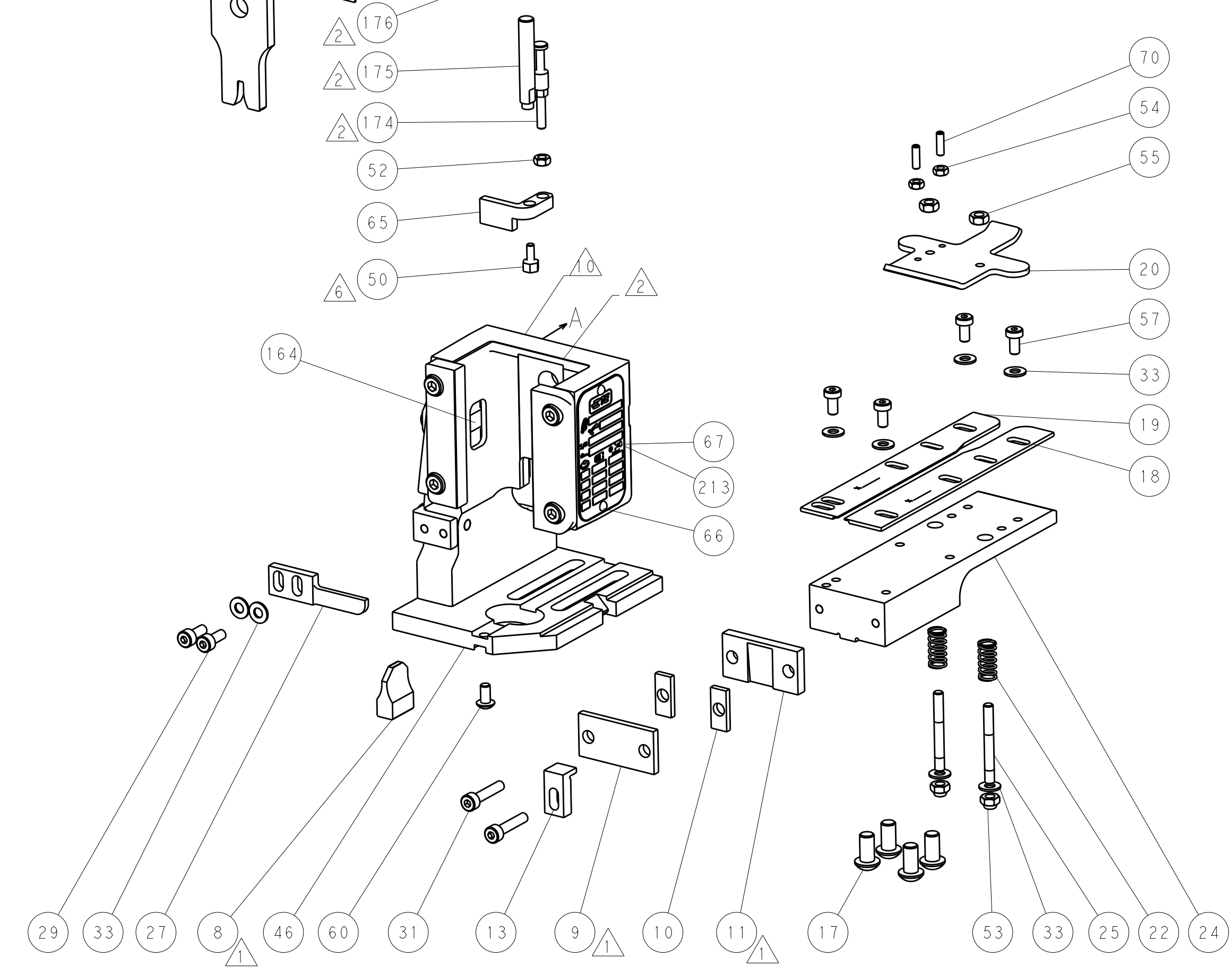
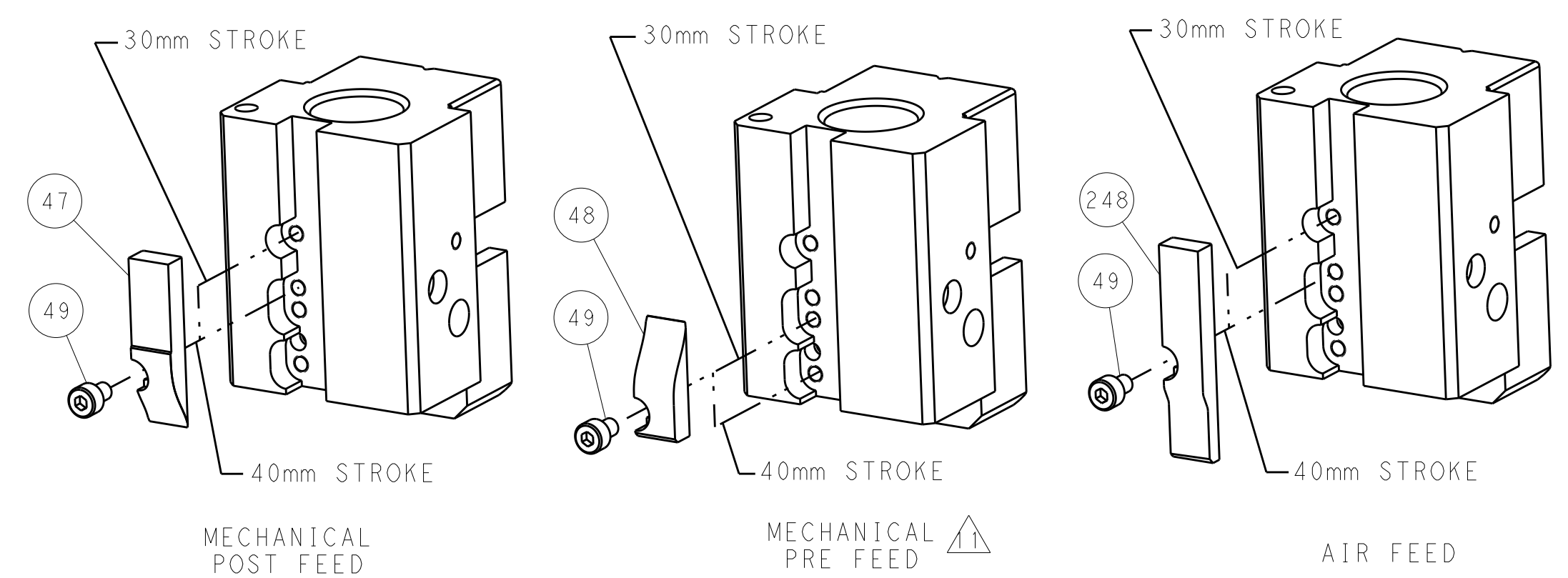
PNEUMATIC



SERVO
LATCH PLATE



CAM POSITIONS



ATLANTIC VERSION
 Shown on sheets 1 of 4 & 2 of 4
 (Pacific version shown on sheets 3 of 4 & 4 of 4)

| | | | | | | | |
|-------------|--|--|--|--|--|---------------------------------|--|
| DIMENSIONS: | | TOLERANCES UNLESS OTHERWISE SPECIFIED: | | OWN: K. HUANG 06DEC2012 | | TE Connectivity | |
| mm | | 0 PLC ±0.5 | | CHK: S.XI 06DEC2012 | | Harrisburg, PA 17105-3608 | |
| Ø | | 1 PLC ±0.13 | | APVD: S.XI 06DEC2012 | | NAME: Ocean End Feed Applicator | |
| H | | 3 PLC ±0.013 | | PRODUCT SPEC | | SIZE: CAGE CODE DRAWING NO | |
| ANGLES | | 4 PLC ±0.001 | | APPLICATION SPEC | | RESTRICTED TO | |
| FINISH | | 5 PLC ±0.001 | | WEIGHT | | A1 00779 ©=2150305 | |
| MATERIAL | | 6 PLC ±0.001 | | Customer Accessible Production Drawing | | SCALE: 1:1 SHEET 2 OF 4 REV A | |

THIS DRAWING IS UNPUBLISHED. RELEASED FOR PUBLICATION
 BY TYCO ELECTRONICS CORPORATION. ALL RIGHTS RESERVED.

| PACIFIC VERSION TERMINATOR INTERFACE ADAPTER | PART NUMBER | REVISION | DESCRIPTION | FEED TYPE | APPLICATOR STYLE CONVERSION CHART | | | | | | |
|--|-------------|----------|--------------------------|--------------------------------|-----------------------------------|-----------------------|-----------|-------------|-----------|---|------------------------|
| | | | | | CONVERT TO | PART NUMBERS REQUIRED | | | | | |
| | 2-2150305-1 | A | FINE CRIMP HEIGHT ADJUST | MECHANICAL | PNEUMATIC FEED | 2119950-1 | 2119792-2 | - | 2119641-2 | - | 2063440-1 |
| | | | | | SERVO LATCH PLATE | 2119951-1 | 1901697-1 | 8-2150305-5 | - | - | 2168400-7 (QUANTITY 2) |
| | | | | | SMART APPLICATOR | 2161326-1 | - | 8-2150305-4 | - | - | - |
| | 2-2150305-2 | A | FINE CRIMP HEIGHT ADJUST | PNEUMATIC | MECHANICAL FEED | 2119949-1 | 2063961-1 | 5-18022-5 | 2119653-2 | - | - |
| | | | | | SERVO LATCH PLATE | 2119951-1 | 1901697-1 | 8-2150305-5 | - | - | 2168400-7 (QUANTITY 2) |
| | | | | | SMART APPLICATOR | 2161326-1 | - | 8-2150305-4 | - | - | - |
| | 2-2150305-5 | A | FINE CRIMP HEIGHT ADJUST | SERVO LATCH PLATE ⁴ | MECHANICAL FEED | 2119949-1 | 2063961-1 | 5-18022-5 | 2119653-2 | - | - |
| | | | | | PNEUMATIC FEED | 2119950-1 | 2119792-2 | - | 2119641-2 | - | 2063440-1 |
| | 2-2150305-7 | A | FINE CRIMP HEIGHT ADJUST | NONE | - | - | - | - | - | - | - |
| | 7-2150305-7 | A | CRIMP TOOLING KIT | - | - | - | - | - | - | - | - |

| APPLICATOR DATA | | |
|-----------------------------------|------|--|
| CRIMP SIZE | TYPE | |
| WIRE 2.54 mm (.100) | F | |
| INSUL - | - | |
| APPLICATOR INSTRUCTIONS 408-10390 | | |

| TERMINAL DATA: TE TERMINAL | | TE CRIMP SPECIFICATION |
|--|-------------|----------------------------------|
| TERMINAL NAME: TERMINAL, SPADE | | |
| WIRE STRIP LENGTH .186-.201 IN [4.72-5.11 mm] | | INSULATION DIAMETER RANGE Ø - |
| TERMINAL APPLICATION SPECIFICATION | 114-2084 | - |
| TERMINALS APPLIED | | |
| TE TERMINAL | TE TERMINAL | TE TERMINAL |
| 40608 | 160036-2 | 160167-2 |
| 41879 | 160061-2 | 160167-3 |
| 160036-1 | 160167-1 | 160332-1 |

| WIRE SIZE | CRIMP HEIGHT mm [INCH] | CRIMP HEIGHT REFERENCE SETTING ⁹ |
|-----------|--------------------------------|---|
| 16 AWG | 1.70 +/- 0.05 [.067 +/- .002] | 6.3 |
| 18 AWG | 1.55 +/- 0.05 [.061 +/- .002] | 8.0 |
| 20 AWG | 1.47 +/- 0.05 [.058 +/- .002] | 8.8 |
| 22 AWG | 1.40 +/- 0.05 [.055 +/- .002] | 9.6 |

- RECOMMENDED SPARE PARTS
- GREASE BEARING SURFACES LIGHTLY
- 3. LUBRICATE DAILY PER THE APPLICATOR INSTRUCTION SHEET SUPPLIED WITH THE APPLICATOR.
- APPLICATOR SPECIFIC DATA TO BE ENTERED INTO BLANK MEMORY CHIP AT ASSEMBLY. SEE BELOW FOR PART NUMBER:
 MECHANICAL FEED WITH "SMART APPLICATOR" CONVERSION: 8-2150305-4
 PNEUMATIC FEED WITH "SMART APPLICATOR" CONVERSION: 8-2150305-4
 SERVO FEED WITH "FINE CRIMP HEIGHT ADJUST": 8-2150305-5
- 5. ADJUSTMENT OF THE STRIPPER MAY BE REQUIRED WHEN MOVING THE APPLICATOR BETWEEN BENCH AND LEADMAKER APPLICATIONS.
- APPLY PART NUMBER 1-23419-5 LOCTITE TO THREADS OF ITEMS 50, 62.
- GREASE THREADS, GROOVE AND O-RING ON ITEMS 139 & 153.
- MAGNET, ITEM 166 MUST BE ORIENTED CORRECTLY IN ORDER TO PROPERLY ACTUATE THE COUNTER.
- CRIMP HEIGHT REFERENCE SETTING WAS THE SETTING USED WHEN THE APPLICATOR WAS QUALIFIED AT THE FACTORY. ADJUSTMENT MAY BE NECESSARY WHEN RUNNING APPLICATOR IN THE FIELD.
- SPARE FEED CAM STORAGE LOCATION REFER TO INSTRUCTION SHEET FOR ADDITIONAL INFORMATION.
- THE RECOMMENDED SET-UP FOR END FEED APPLICATORS IS POST-FEED WITH ITEM 2119653-1. THE APPLICATOR CAN BE CONFIGURED FOR PRE-FEED WITH ITEM 2119652-1 BUT MAY ENCOUNTER PROBLEMS WITH SOME APPLICATIONS. FEED ISSUES OR TERMINAL JAMMING MAY OCCUR IN THE PRE-FEED CONFIGURATION.

***WARNING**
 ON INSTALLATION, SET WIRE DISC, ITEM 40 TO LARGEST WIRE SIZE SETTING. USE OF SETTINGS BELOW MINIMUM REQUIRED CRIMP HEIGHT SETTING WILL CAUSE DAMAGE TO CRIMP TOOLING.

| | ITEM NO | |
|-----------------|---|---------|
| - 1 1 1 1 1 | 2119782-1 FINE ADJUST HEAD ASM, PACIFIC STYLE | 251 |
| - - - 1 - | 2119640-1 PUSH ROD, AIR FEED | 250 |
| -77-27-25-22-21 | PART NO DESCRIPTION | ITEM NO |

PACIFIC VERSION
 Shown on sheets 3 of 4 & 4 of 4
 (Atlantic version shown on sheets 1 of 4 & 2 of 4)

| SET UP GAUGE | LOC | DIST | REVISIONS | | | |
|--------------|-----|------|-------------|------|----|------|
| 2119599-2 | A | 66 | REV | DATE | BY | APPV |
| - | - | - | SEE SHEET 1 | - | - | - |

| | | | | | | | |
|---|-----|-----|-----|-----|-------------|-------------------------------------|-----|
| - | - | - | 1 | - | 2079988-1 | BUSHING, LCH5-12, MISUMI | 249 |
| - | 1 | 1 | 1 | 1 | 1-22279-3 | SPRING, COMPRESSION | 246 |
| - | - | 2 | - | - | 2168400-7 | SHCS, LOW HEAD, RoHS, M5 X 10 | 240 |
| - | - | - | - | 1 | 2119580-1 | MECHANICAL FEED ASSEMBLY | 239 |
| - | - | - | 1 | - | 2063440-1 | AIR FEED MODULE | 238 |
| - | - | 1 | - | - | 2119740-2 | TAG, IDENTIFICATION | 213 |
| - | 4 | 4 | 4 | 4 | 2079383-9 | SCR, BHSC, RoHS (M6 X 20) | 186 |
| - | - | REF | - | - | 1901697-1 | FEED FINGER ASSEMBLY, EF | 183 |
| - | 1 | 1 | 1 | 1 | 6-993111-6 | PIN, SLOTTED SPRING 3.0 X 14.0 | 177 |
| - | 1 | 1 | 1 | 1 | 8-22280-7 | SPRING, COMPRESSION | 176 |
| - | 1 | 1 | 1 | 1 | 1752353-2 | GUIDE PIN, HOLDDOWN | 175 |
| - | 1 | 1 | 1 | 1 | 1901680-2 | GUIDE PIN, HOLDDOWN | 174 |
| - | - | - | 2 | - | 21045-3 | RING, RETAIN, EXTERN, 3/16 CRESCENT | 172 |
| - | 1 | 1 | 1 | 1 | 994969-1 | MAGNET, RARE EARTH HIGH ENERGY | 166 |
| - | REF | REF | REF | REF | 994970-2 | COUNTER, MAGNETIC | 164 |
| - | - | - | 1 | - | 240638-1 | SPRING, FEED FINGER | 163 |
| - | 1 | 1 | 1 | 1 | 8-21084-1 | O-RING, .801 ID, .070 DIA. MAT. | 153 |
| - | - | - | 1 | - | 2119641-2 | FEED CAM, AIR FEED | 152 |
| - | 1 | 1 | 1 | 1 | 2119798-2 | DETENT PIN | 145 |
| - | 1 | 1 | 1 | 1 | 2079383-8 | SCR, BHSC, RoHS (M4 X 16) | 144 |
| - | - | - | - | 1 | 2119653-2 | FEED CAM, POST FEED | 142 |
| - | 1 | 1 | 1 | 1 | 2119655-6 | APPLICATOR BASIC ASSEMBLY, EF | 141 |
| - | 1 | 1 | 1 | 1 | 2119651-1 | RAM, ASIAN STYLE, END FEED | 140 |
| - | 1 | 1 | 1 | 1 | 2119092-2 | BOLT, ADJUSTMENT | 139 |
| - | - | - | 1 | - | 3-23627-7 | PIN, RETAIN, GRVD, 3/16 X .854 | 137 |
| - | - | REF | - | - | SEE NOTE 4 | MEMORY CHIP, PROGRAMMED | 135 |
| - | - | 1 | - | - | 1633743-1 | SERVO FEED LATCH ASM | 133 |
| - | 1 | 1 | 1 | 1 | 455888-5 | SPACER, CRIMPER | 82 |
| - | 1 | 1 | 1 | 1 | 2119956-2 | DOCUMENTATION PACKAGE | 71 |
| - | 2 | 2 | 2 | 2 | 2-18032-2 | SCR, SET, FLT POINT M3 X 10.0 | 70 |
| - | 1 | - | 1 | 1 | 2119740-1 | TAG, IDENTIFICATION | 67 |
| - | 2 | 2 | 2 | 2 | 2168078-1 | SCREW, DRIVE, RH, RoHS | 66 |
| - | 1 | 1 | 1 | 1 | 1901681-5 | HOLDDOWN, TERMINAL | 65 |
| - | 1 | 1 | 1 | 1 | 2119793-1 | LIMITER, ADJUSTMENT BOLT | 63 |
| - | 3 | 3 | 3 | 3 | 992763-5 | SCR, SET, SOC, CONE POINT, M3 x 4.0 | 62 |
| - | - | - | - | 1 | 5-18022-5 | SCR, HEX HD CAP, M4 X 6.0 | 59 |
| - | - | - | - | 1 | 2063961-1 | FEED FINGER | 58 |
| - | 4 | 4 | 4 | 4 | 2168400-4 | SHCS, LOW HEAD, RoHS, M4 X 8 | 57 |
| - | 2 | 2 | 2 | 2 | 1-2168083-0 | SCR, SKT HD CAP, RoHS, M4 X 10 | 56 |
| - | 2 | 2 | 2 | 2 | 5018030-2 | NUT, HEX, REG, RoHS, M4 | 55 |
| - | 2 | 2 | 2 | 2 | 5018030-1 | NUT, HEX, REG, RoHS, M3 | 54 |
| - | 2 | 2 | 2 | 2 | 986965-8 | NUT, LOCK, HEX, TORQUE (M4) | 53 |
| - | 1 | 1 | 1 | 1 | 1-5018030-0 | NUT, HEX, REG, RoHS, M3.5 | 52 |
| - | - | - | 1 | - | 2119792-2 | PAWL, EF, AIR | 51 |
| - | 1 | 1 | 1 | 1 | 4-1752354-1 | STANDOFF, HOLD-DOWN | 50 |
| - | - | - | 1 | 2 | 18023-9 | SCR, SKT HD CAP M4 X 6.0 | 49 |
| - | - | - | - | 1 | 2119652-1 | FEED CAM, PRE FEED | 48 |
| - | 1 | 1 | 1 | 1 | 2079383-7 | SCR, BHSC, RoHS (M8 X 25) | 41 |
| - | 1 | 1 | 1 | 1 | 2119645-1 | DISC, NUMBERED FA WIRE ADJUSTMENT | 40 |
| - | 1 | 1 | 1 | 1 | 2119957-1 | APPLICATOR SHIM PACK | 39 |
| - | 1 | 1 | 1 | 1 | 2119644-2 | RAM WASHER, PRECISION | 38 |
| - | 8 | 8 | 8 | 8 | 1-18028-2 | WASHER, FLAT, REG M4 | 33 |
| - | 2 | 2 | 2 | 2 | 2168083-9 | SCR, SKT HD CAP, RoHS, M4 X 20 | 31 |
| - | 2 | 2 | 2 | 2 | 1-2168083-0 | SCR, SKT HD CAP, RoHS, M4 X 10 | 29 |
| - | 1 | 1 | 1 | 1 | 240639-1 | STRIPPER (MACHINING) | 27 |
| - | 2 | 2 | 2 | 2 | 1320906-1 | STUD, THREADED | 25 |
| - | 1 | 1 | 1 | 1 | 1752371-1 | PLATE, STRIP GUIDE | 24 |
| - | 2 | 2 | 2 | 2 | 2-22281-3 | SPRING, COMPRESSION | 22 |
| - | 1 | 1 | 1 | 1 | 1752373-4 | DRAG | 20 |
| - | 1 | 1 | 1 | 1 | 1901696-7 | STRIP GUIDE, REAR | 19 |
| - | 1 | 1 | 1 | 1 | 1901695-7 | STRIP GUIDE, FRONT | 18 |
| - | 1 | 1 | 1 | 1 | 1752360-1 | SPACER, HOLD-DOWN | 13 |
| - | 1 | 1 | 1 | 1 | 240644-1 | PLATE, REAR SHEAR | 11 |
| - | 2 | 2 | 2 | 2 | 1-240645-1 | SPACER, SHEAR PLATE | 10 |
| - | 1 | 1 | 1 | 1 | 240642-1 | PLATE, FRONT SHEAR | 9 |
| - | 1 | 1 | 1 | 1 | 1803002-2 | ANVIL, COMBINATION, END FEED | 8 |
| - | 1 | 1 | 1 | 1 | 8-240651-7 | BLADE, SLUG | 7 |
| - | - | - | - | - | - | - | 6 |
| - | 1 | 1 | 1 | 1 | 4-240641-1 | SPACER | 5 |
| - | - | - | - | - | - | - | 4 |
| - | - | - | - | - | - | - | 3 |
| - | - | - | - | - | - | - | 2 |
| - | 1 | 1 | 1 | 1 | 456407-7 | CRIMPER, WIRE PREMIUM | 1 |

| DIMENSIONS: | | TOLERANCES UNLESS OTHERWISE SPECIFIED: | | DRAWN | | CHK | | APV | | DATE | |
|-------------|-----------|--|------------|--------------|--------------|------------------|--------|--|-------|--------------|-----------|
| mm | 0 PLC ±.5 | 1 PLC ±.3 | 2 PLC ±.13 | 3 PLC ±.013 | 4 PLC ±.0001 | ANGLES ±.0001 | FINISH | H. HUANG | S. XI | 06DEC2012 | 06DEC2012 |
| MATERIAL | | FINISH | | PRODUCT SPEC | | APPLICATION SPEC | | NAME | | DATE | |
| - | | - | | - | | - | | S. XI | | 06DEC2012 | |
| - | | - | | - | | - | | Ocean End Feed Applicator | | - | |
| - | | - | | - | | - | | SIZE | | SCALE | |
| - | | - | | - | | - | | A1 | | 1:1 | |
| - | | - | | - | | - | | Customer Accessible Production Drawing | | SHEET 3 OF 4 | |

