

LAN

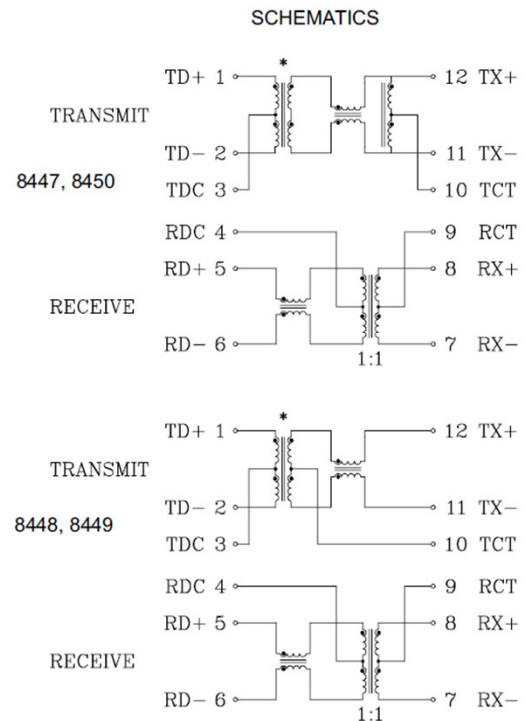
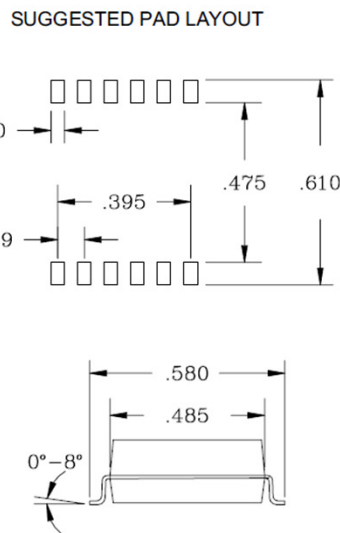
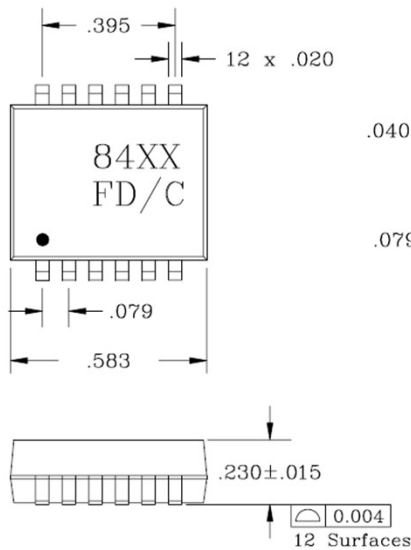
**10/100 Base-T
Single Port Transformer Module**

8447-8450

- Exceeds IEEE 802.3 and ANSI X3.263 including 350µH OCL with 8 mA bias
- Ideal for Pick & Place



MECHANICAL AND SCHEMATIC (All dimensions in inches)



* REFER TO ELECTRICAL SPECIFICATIONS CHART FOR TURNS RATIO
UNLESS OTHERWISE SPECIFIED, ALL TOLERANCES ARE ±0.010

ELECTRICAL SPECIFICATION @ 25°C

Part Number	Transmit Turns Ratio	Insertion Loss (dB MAX)	Return Loss XMIT (dB MIN)				Differential to Common Mode Rejection (dB TYP)				Crosstalk (dB MIN)				Hipot (Vrms)
			100kHz - 100MHz	1-30 MHz	40 MHz	50 MHz	60-80 MHz	30 MHz	60 MHz	100 MHz	200 MHz	1 MHz	30 MHz	60 MHz	
8447	1CT:1CT	1.2	-16	-14	-13	-12	-59	-49	-42	-37	-60	-40	-40	-35	1500
8448	1CT:1CT	1.2	-16	-14	-13	-12	-55	-45	-38	-33	-60	-40	-40	-35	1500
8449	2CT:1CT	1.2	-16	-14	-13	-12	-55	-45	-38	-23	-60	-40	-40	-35	1500
8450	1CT:√2CT	1.2	-16	-14	-13	-12	-59	-49	-42	-37	-60	-40	-40	-35	1500

8447 and 8450 includes the Auto Transformer.