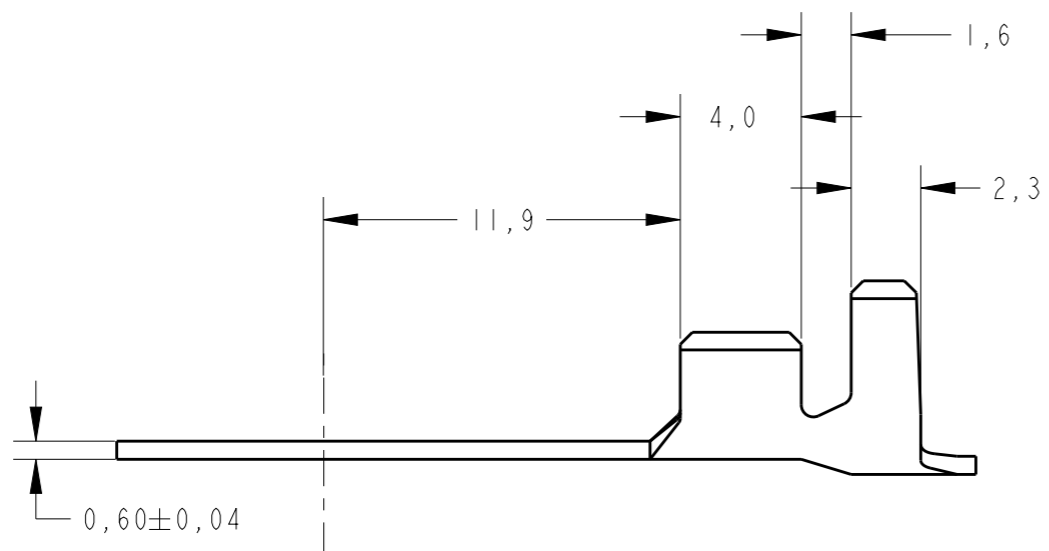
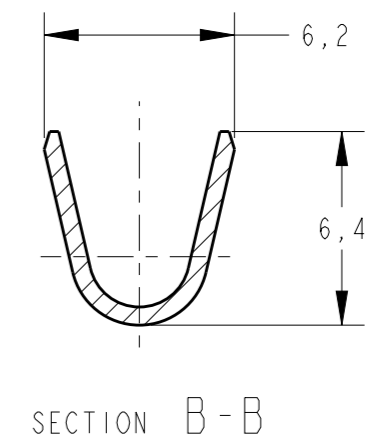
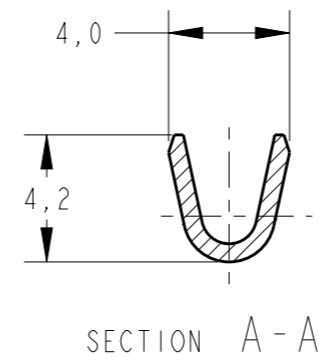
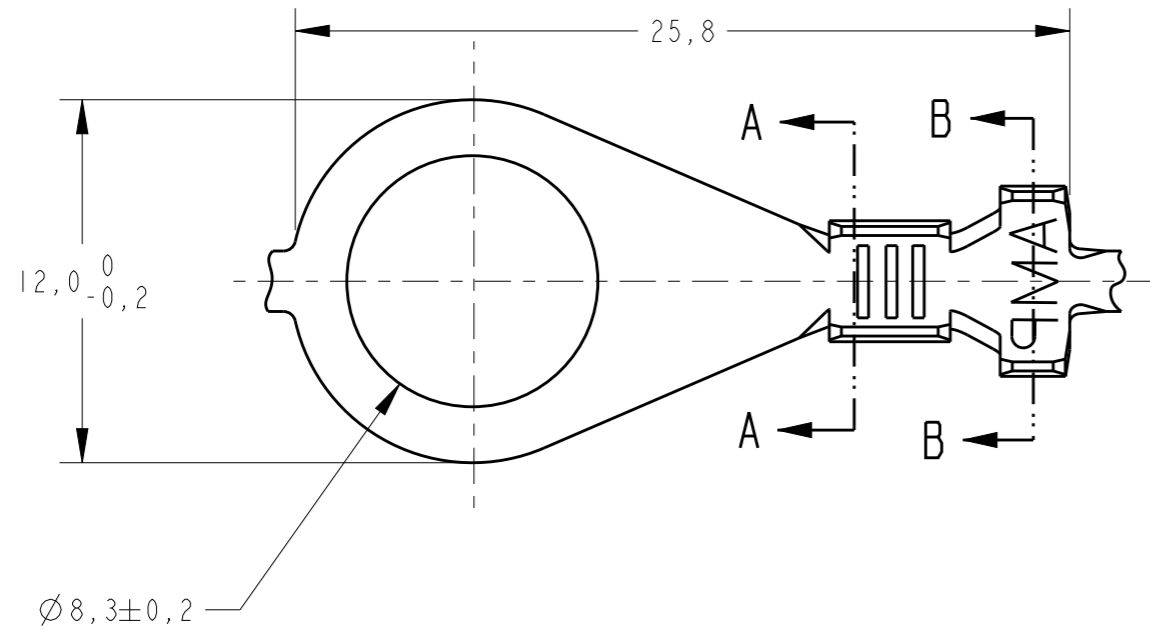


THIS DRAWING IS UNPUBLISHED. RELEASED FOR PUBLICATION 20
© COPYRIGHT 20 BY - ALL RIGHTS RESERVED.

LOC AP DIST -

REVISIONS					
P	LTR	DESCRIPTION	DATE	DWN	APVD
	A2	CHANGE SPEC ECO-13-012612	16AUG2013	NCL	DAO
	A3	REVISED BY ECO-14-003299	26MAR2014	HC	WLS
	A4	REV. BY ECO 16-006124	10JUN2016	HC	WLS



- 1 - C.A 272
- 2 - OBSOLETE PARTS : OBSOLETE CIS STREAMLINING PER D.RENAUD/D.SINISI
- 3 - REELED WITH PAPER INTERLEAVE.

2	OBSOLETE	-	ESTANHADO	BRONZE F./PHOS.BRONZE	880651-4
2	OBSOLETE	-	-	BRONZE F./PHOS.BRONZE	880651-3
		-	ESTANHADO	LATÃO/BRASS	3 880651-2
	OBSOLETE	-	-	LATÃO/BRASS	3 880651-1
		NOTES	FINISH	MATERIAL 1	PART NUMBER

WIRE RANGE
>1,0-2,5mm²

INSUL. RANGE
Ø2,7-4,0mm.

THIS DRAWING IS A CONTROLLED DOCUMENT.		DWN M.R.Briz 17SEP98	TE Connectivity		
DIMENSIONS: mm		CHK P.L.Faria			
TOLERANCES UNLESS OTHERWISE SPECIFIED:		APVD H.B.Vasconcellos	PRODUCT SPEC -		RESTRICTED TO -
0 PLC ± -		APPLICATION SPEC -	SIZE A3	CAGE CODE 00779	DRAWING NO C= 880651
1 PLC ± 0,3		WEIGHT -	SCALE 4:1 SHEET 1 OF 1 REV A4		
2 PLC ± -		Customer Drawing			
3 PLC ± -					
4 PLC ± -					
ANGLES ± -					
MATERIAL SEE TABLE					
FINISH SEE TABLE					