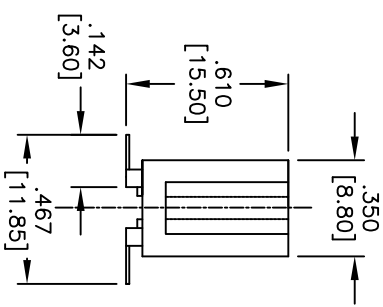
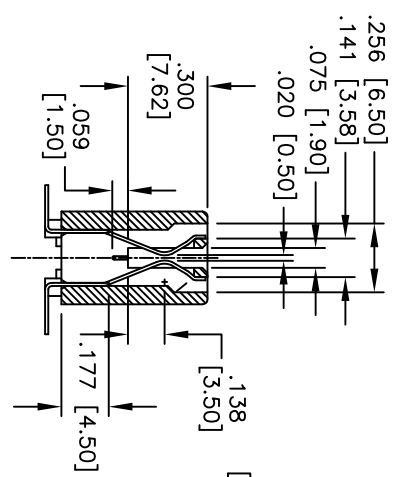
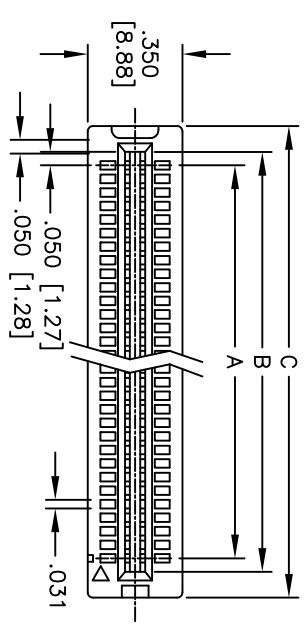
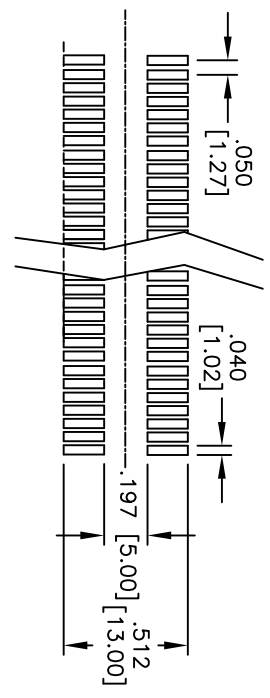


APPROVED: _____	DATE: _____	TITLE: _____		
6	5	4		
3	2	1		
Rev	AWO #	Description	Date	Appr
-	10296	RELEASED	5/26/10	



Positions: 4, 6, 8, 10, 12, 14, 16, 18, 20, 22, 24, 26, 28, 30, 32, 34, 36, 38, 40, 42, 44, 46, 48, 50, 52, 54, 56, 58, 60, 80, 100, 120, 182

A = .050 [1.27] x No. of Spaces
 B = A + .100 [2.54]
 C = A + .290 [7.37]

SPECIFICATIONS:

Material: Insulator: Hi-temp PPS, rated UL 94V-0
 Insulator color: Black
 Contacts: Copper Alloy
 Plating: Gold flash over Nickel underplate on contact area, Tin over Copper underplate on PCB tails

Electrical:
 Operating voltage: 250 VAC RMS.
 Current rating: 1 Amp.
 Contact resistance: 30 mohms max.
 Insulation resistance: 1000 Mohms min.
 Dielectric withstanding voltage: 500 VAC for 1 minute
 Temperature Rating: Operating temperature: -55°C to +85°C

Environmental:
 Lead free, RoHS compliant
 Recommended soldering temp: 260°C for 5 seconds



ADAM TECH

909 Rahway Avenue, Union, NJ 07083
 Phone: 908-687-5000 Fax: 908-687-5710

TITLE: .050 [1.27] PITCH CARD EDGE, SMT TYPE

UNLESS OTHERWISE SPECIFIED ALL DIMENSIONS ARE IN INCHES [MM]	
TOLERANCES: EXCEPT AS NOTED	
INCHES	HOLDS
.X ± .10	ØX ± .10
.XX ± .020	ØXXX ± .015
.XXX ± .015	ØXXXX ± .010
APPROVALS	DATE
DRAWN	DY
CHECKED	
APPROVED	
	5/26/10

SIZE	PART NO.	REV.
X	HCE-XX-G-SMT	-
REF: S00140T	SCALE: NTS	SHEET 1 OF 1