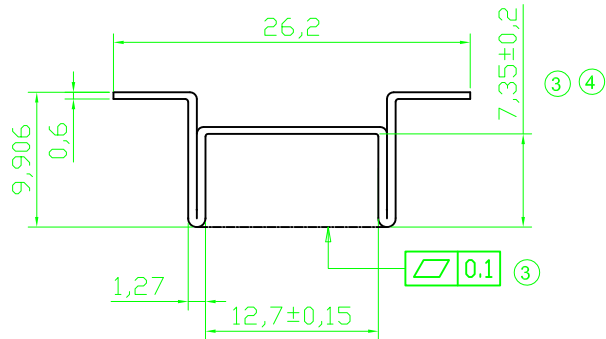
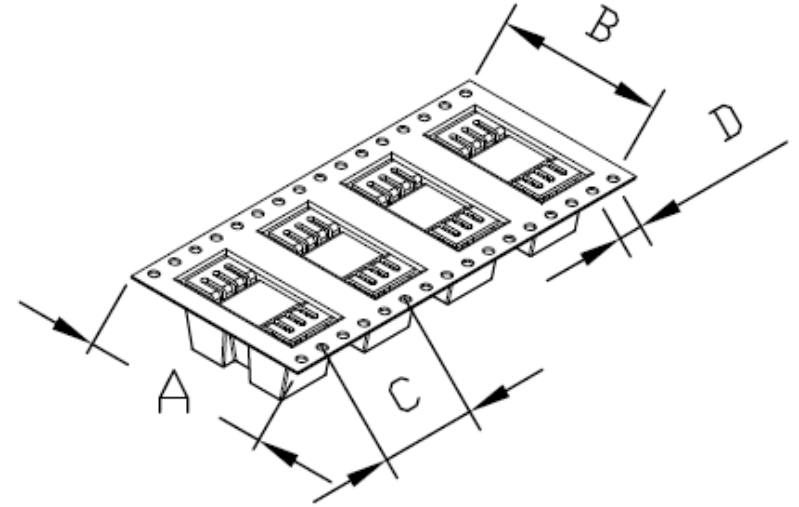
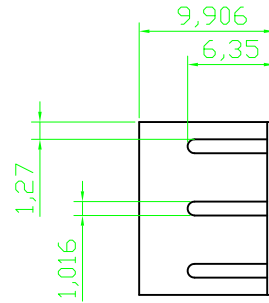
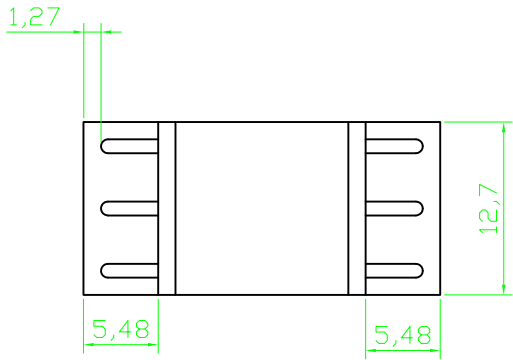


RoHS compliant



Tolerances: unless otherwise specified ±0,3

Material: Copper, 06mm thick  
Finished: Tin plated

③ Tape & Reel  
1Reel = 250PCS

A	B	C	D
44,0	40,40	24,0	4,0

Option	Verpackung Packaging	Warmwiderstand Thermal resistance (K/W)
-	Tape & Reel 250 pcs/reel	23
L	Loose Bulk	23

Id.	Modification	Date	Name			
⑤	Modify drawing layout	10.03.2010	Alex	Drawn	19.06.02	Hellwig
④	change dimension	27.07.09	N.Schulz	Approved	10.03.2010	A.Platt
③	Update	14.05.09	N.Schulz			
②	Update	19.06.02	N.Schulz			
①	Neuanlage	19.06.02	N.Schulz			

Customer-No.	
ASSMANN WSW-No. <b>V1100 SMD/A x</b>	
Drawing-No. <b>ASS 0518 HS</b>	rev05
Replace	Sheet

1

2

3

4

5

6

7