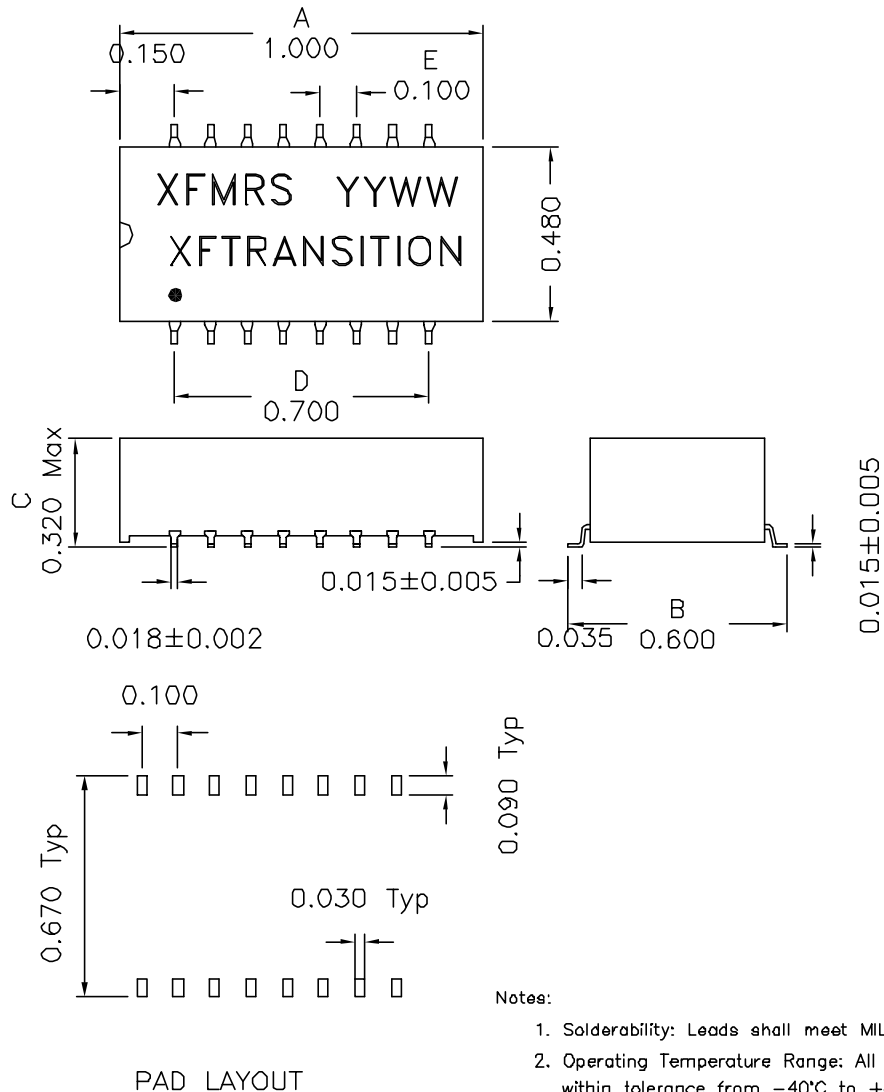


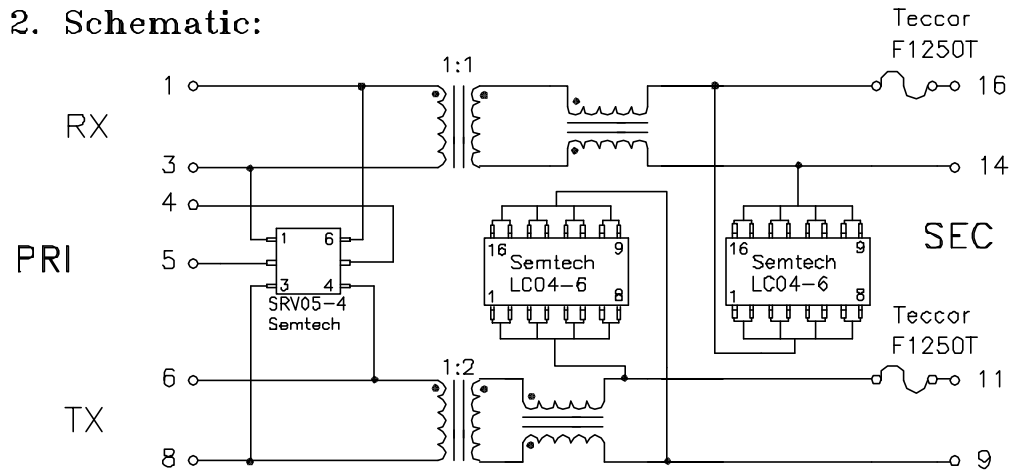
1. Mechanical Dimensions:



Notes:

- Solderability: Leads shall meet MIL-STD-202
- Operating Temperature Range: All listed parameters are to be within tolerance from -40°C to +85°C
- Storage Temperature Range: -55°C to +125°C
- High Temp, Lead Free solder only.

2. Schematic:



3. Electrical Specifications: @25°C

- Isolation Voltage: 1500Vrms
- Turns Ratio: Pins (1-3):(16-14)=1:1±3%
- Turns Ratio: Pins (6-8):(11-9)=1:2±3%
- OCL: Pins 1-3 1.2mH Typ @100KHz 50mV
- OCL: Pins 6-8 1.2mH Typ @100KHz 50mV
- CW/W: 35pF Max @100KHz 50mV (PRI/SEC)
- PRI LL: 0.4uH Max @100KHz 50mV, Short SEC
- PRI DCR: 0.700 Ohms Max
- Common Mode Attenuation: @300KHz 11dB Typ
- @1MHz 27dB Typ @10MHz 40dB Typ
- @30MHz 44dB Typ @50MHz 42dB Typ
- @100MHz 36dB Typ @300MHz 26dB Typ
- @500MHz 17dB Typ

XFMRS Inc	Title: QUAD PORT T1/CEPT/ISDN-PRI TRANSFORMER		
	UNLESS OTHERWISE SPECIFIED TOLERANCES: .xxx ±0.010		REV. B
Dimensions in INCH	P/N: XFTRANSITION	DWN.	Juan Mao May-20-04
SCALE 2:1 SHT 1 OF 1	CHK.	YK Liao	May-20-04
	APP.	BW	May-20-04

PROPRIETARY

Document is the property of XFMRS Group & is not allowed to be duplicated without authorization.

DOC REV: B/1